



RADIALL[®]
COAXIAL department

TECHNICAL DATA

R191.403.000

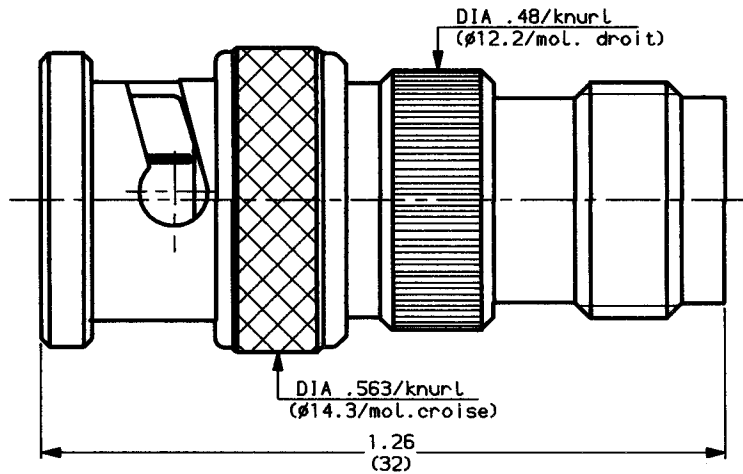
Issue : 9044

Page

BNC MALE-TNC FEMALE

SERIES ADAPT. 50

1 / 1



weight 0.63 oz (18 g)

CHARACTERISTICS

NOMINAL IMPEDANCE	50	Ω
FREQUENCY RANGE	0-4	GHz
TEMPERATURE RATING	-65/+165	°C
VSMR	1.25	Max
RF INSERTION LOSS	.115	√F dB Maxi
VOLTAGE RATING	500	Vrms Maxi
DIELECTRIC WITHSTANDING VOLTAGE	1500	Vrms mini
INSULATION RESISTANCE	5000	Ma mini
HERMETIC SEAL	NA	cc/s Atm.cm3/s
LEAKAGE (pressurized only)	NA	psi MPa
-	-	-
-	-	-

STANDARDISATION

CABLE RETENTION

NA Lb mini
N

CENTER CONTACT RETENTION

Axial force - mating end 6.075 Lb mini
27 N

Axial force - opposite end 6.075 Lb mini
27 N

Torque (Min) NA Inch.oz
cm.N

RECOMMENDED TORQUES

Mating	NA	Inch. Lb cm. N
Panel nut	NA	Inch. Lb cm. N
Clamp nut	NA	Inch. Lb cm. N

CONSTRUCTION

CONNECTOR PARTS	MATERIALS	FINISH
BODY	BRASS	NICKEL
OUTER CONTACT	BRASS	NICKEL
CENTER CONTACT	BERYLLIUM-COPPER	GOLD
INSULATORS	PTFE	-
COUPLING NUT	BRASS	NICKEL
-	-	-
-	-	-
-	-	-
-	-	-

ISSUE	REVISION No	DESCRIPTION	BY	DATE
.
.
.
.

Initiated on 29-OCT-90

The information given here is subject to change without notice. Design changes may be in order to improve the product.



Superseded on -----