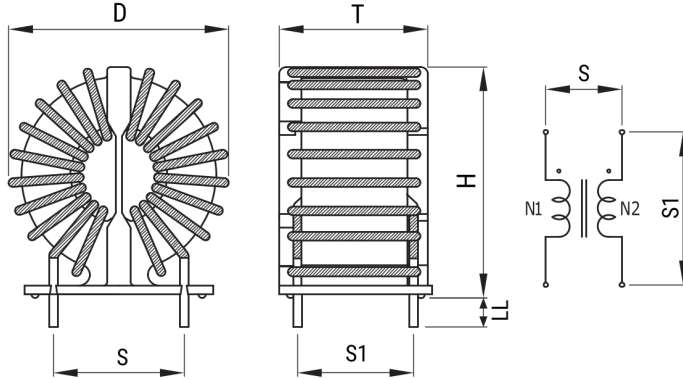


SC-10-10J

Aliases (UALSC1010J0000)

KEMET, SC-J, AC Line Filters, Common Mode, 1mH



Click [here](#) for the 3D model.

Dimensions

D	34mm MAX
T	23mm MAX
H	33mm MAX
LL	5mm +/-2mm
S	12mm NOM
S1	17mm NOM
Wire Size	1.3mm

Packaging Specifications

Packaging	Tray
Packaging Quantity	200
Component Weight	42 g

General Information

Series	SC-J
Style	Through-Hole
RoHS	Yes
Notes	Lead Spacing (S/S1) Are For Reference Only.
Miscellaneous	Temperature Rise Maximum: 40 K.
Core	Mn-Zn Ferrite

Specifications

Voltage AC	250 VAC
Inductance	1 mH (100 kHz)
Current	10 A
Temperature Range	-25/+105°C
DC Resistance	20 mOhms