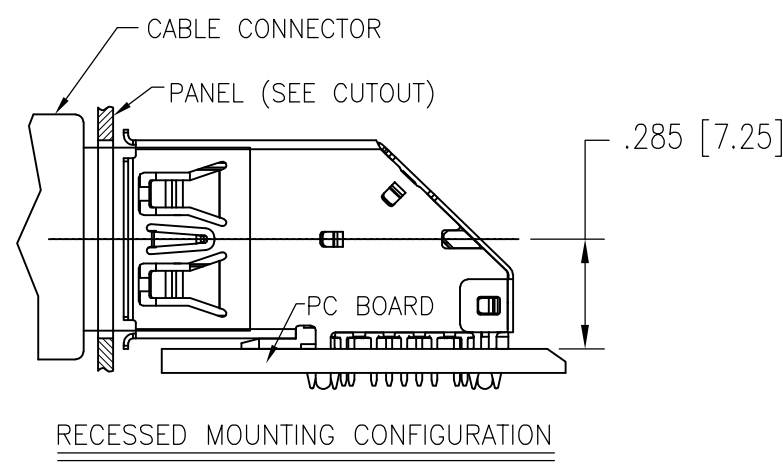
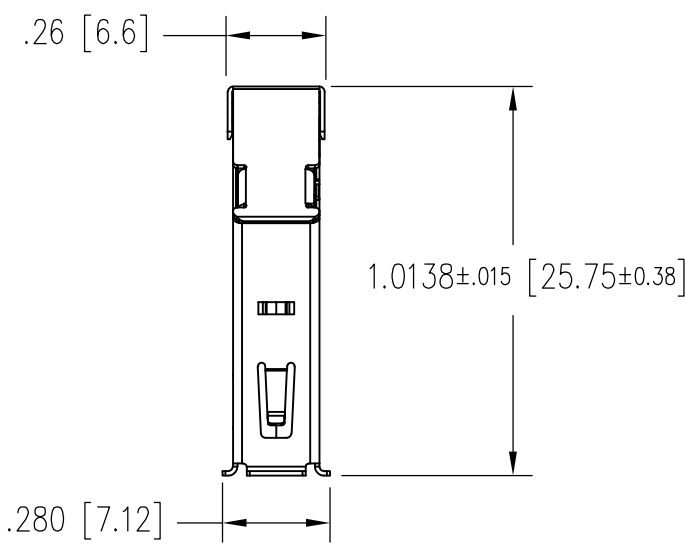
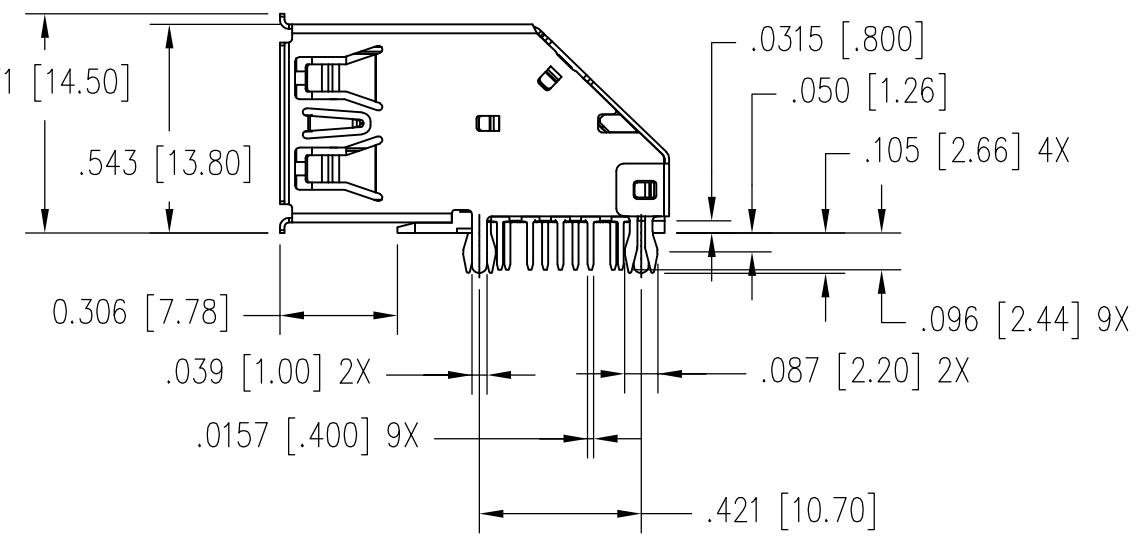
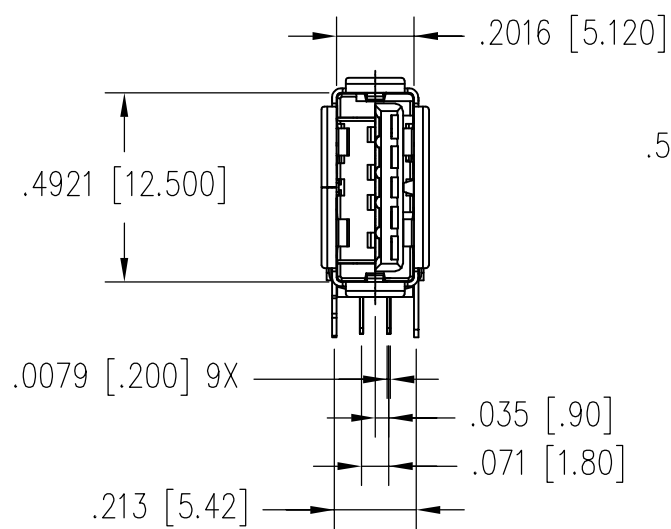


DATE	REV	ECN	APP'D. BY
8/29/2017	A0	-	DHG
8/29/2017	A1	11438	GWL

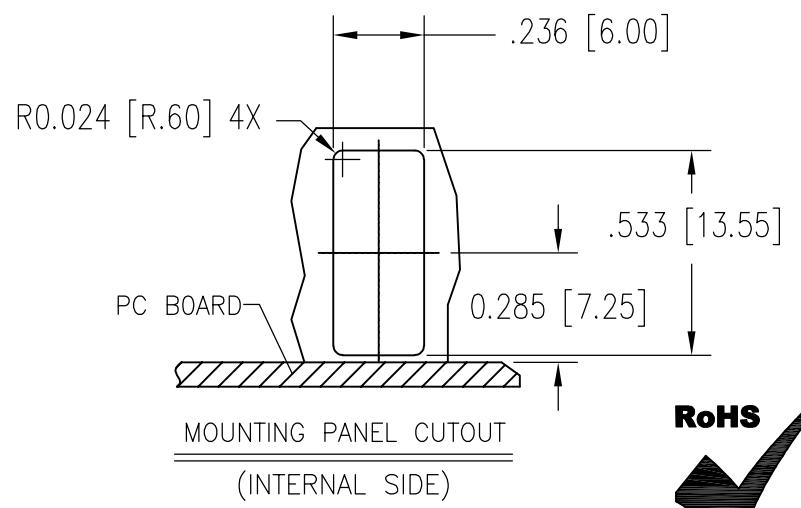
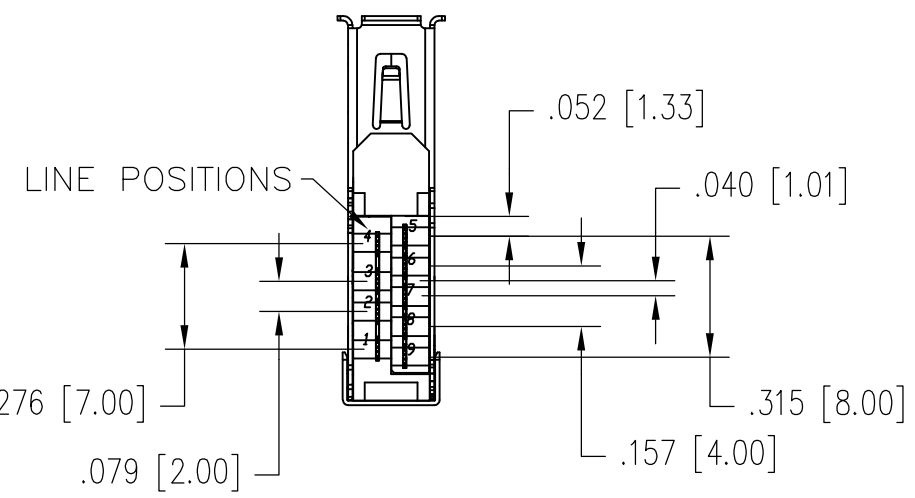


NOTE:

- Material
  - Hsg: High Temperature Plastic; UL94V-0; Color: Blue.
  - Contact:
    - 5 pin contact: Copper Alloy
    - 4 pin contact: Copper Alloy
  - Shell: Copper Alloy
- Finish:
  - Contct: Nickel Plated; Au Plating On Contact Area  
See Chart for Part Number;  
TIN On Solder Tail.
  - Shell: Nickel Plating.
- For Product specifications See PR44-01



PIN NO.	1	2	3	4	5	6	7	8	9
SIGNAL NAME	VBUS	D-	D+	GND	SSRX-	SSRX+	GND_DRAIN	SSTX-	SSTX+
REMARK	USB2 Contact Pin				USB3 Contact Pin				



30 MICRO-INCHES [0.76um]	SS-52000-002
CONTACT PLATING IN MATING AREA	PART NUMBER

THIRD ANGLE PROJECTION

DRAWING IS SUBJECT TO CHANGE WITHOUT NOTICE

UNLESS OTHERWISE SPECIFIED DIMENSIONS INCHES [METRIC] TOLERANCES ARE:

ANGLES ± 1°

.XX [.X] ±.010" [±0.25]

.XXX [.XX] ±.008" [±0.20]

.XXXX [.XXX] ±.004" [±0.10]

DO NOT SCALE DRAWING

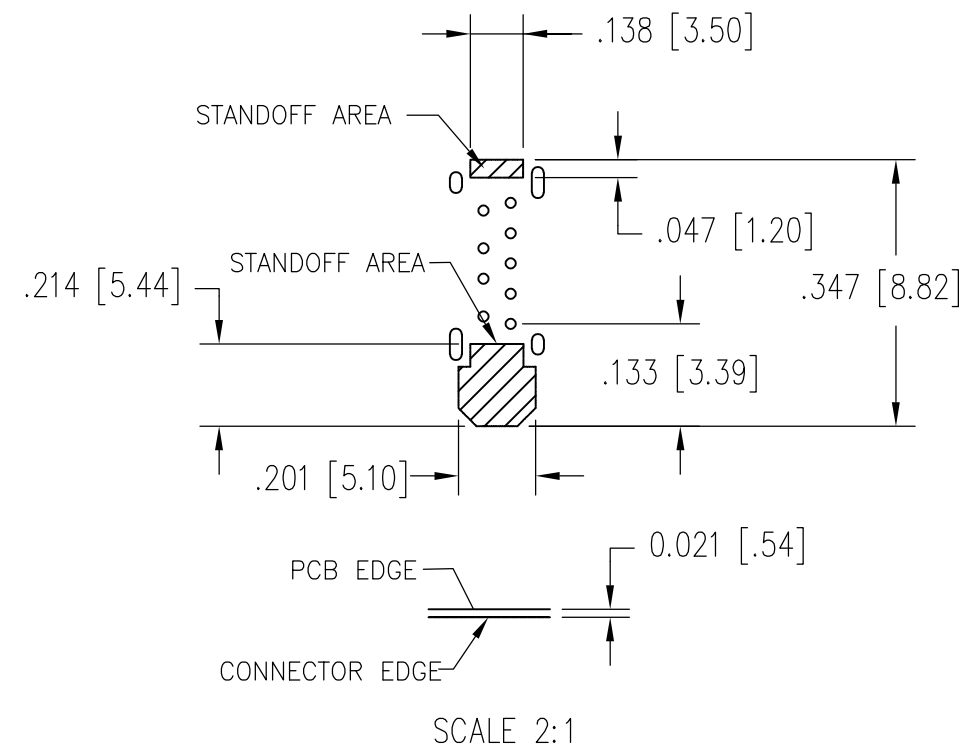
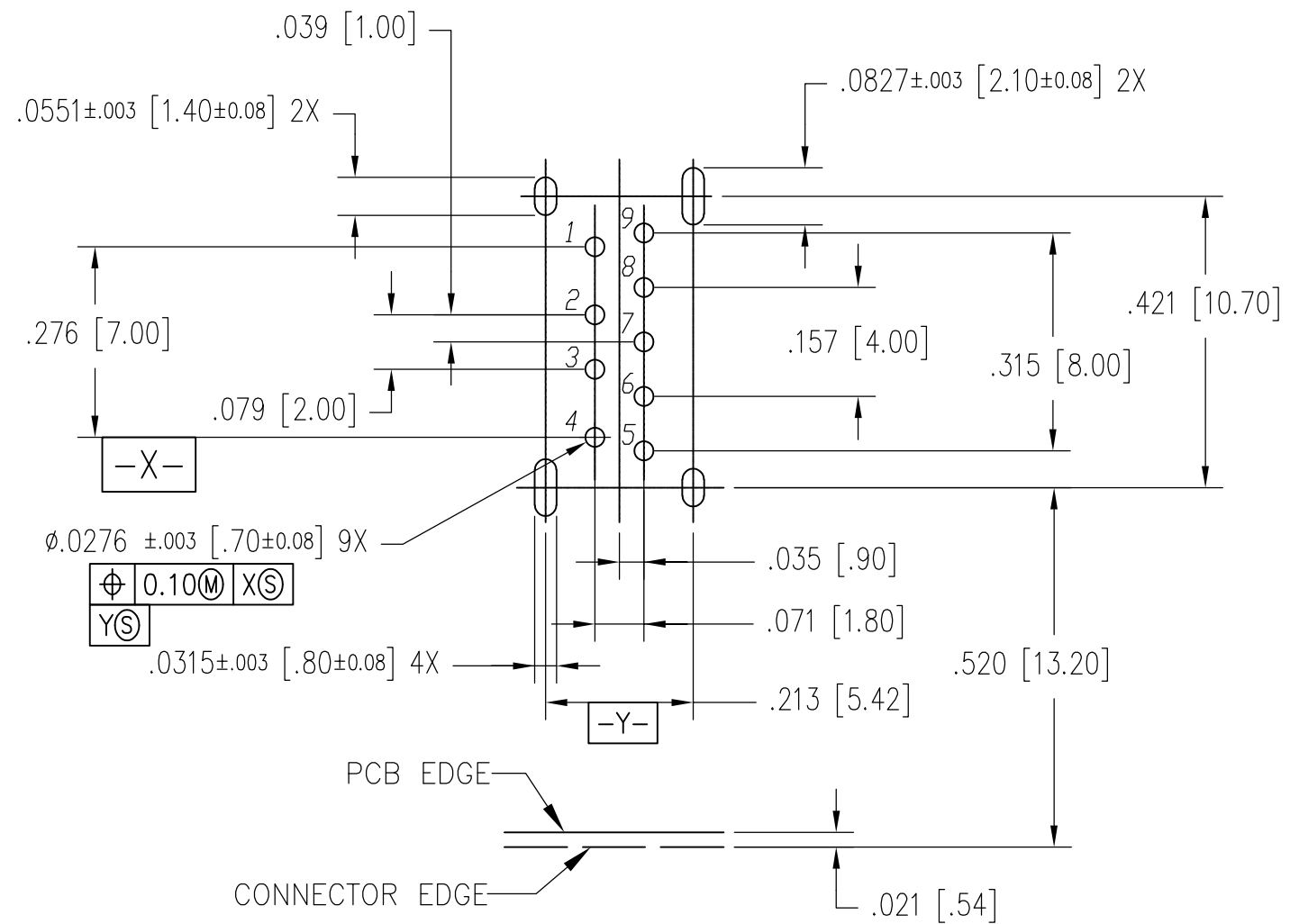
SHEET NO. 1 OF 2

1118 Susquehanna Trail South  
Glen Rock, PA 17327-9199  
(717) 235-7512  
<http://www.stewartconnector.com>

TITLE: USB 3.0 Side 90° Receptacle Type A

THIS DRAWING AND THE SUBJECT MATTER SHOWN THEREON ARE CONFIDENTIAL AND THE PROPRIETARY PROPERTY OF STEWART CONNECTOR AND SHALL NOT BE REPRODUCED, COPIED, OR USED IN ANY MANNER WITHOUT PRIOR WRITTEN CONSENT OF STEWART CONNECTOR. ONE OR MORE U.S. PATENTS MAY APPLY TO THIS PRODUCT. FOR DETAILS, PLEASE VISIT: [HTTP://BELFUSE.COM/STEWART/STEWART\\_PATENTS/](http://BELFUSE.COM/STEWART/STEWART_PATENTS/)

DRN BY: GWL	DATE 8/28/2017
APPD BY: DHG	DATE 8/29/2017
DWG NO. CT520002	REV. A1



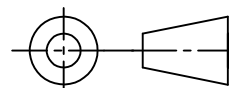
RECOMMENDED PCB LAYOUT (COMPONENT SIDE VIEW)

THK=.063 [1.60] ALL TOL IS ±.004 [0.10]

SCALE 4:1



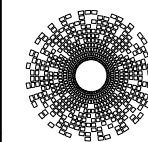
THIRD ANGLE PROJECTION



DRAWING IS SUBJECT TO CHANGE WITHOUT NOTICE

UNLESS OTHERWISE SPECIFIED DIMENSIONS INCHES [METRIC] TOLERANCES ARE:  
 ANGLES ± 1°  
 .XX [.X] ±.010" [±0.25]  
 .XXX [.XX] ±.008" [±0.20]  
 .XXXX [.XXX] ±.004" [±0.10]  
 DO NOT SCALE DRAWING

SHEET NO. 2 OF 2



**stewart**  
CONNECTOR  
a bel group

1118 Susquehanna Trail South  
 Glen Rock, PA 17327-9199  
 (717) 235-7512

<http://www.stewartconnector.com>

TITLE: USB 3.0 Side 90° Receptacle Type A

THIS DRAWING AND THE SUBJECT MATTER SHOWN THEREON ARE CONFIDENTIAL AND THE PROPRIETARY PROPERTY OF STEWART CONNECTOR AND SHALL NOT BE REPRODUCED, COPIED, OR USED IN ANY MANNER WITHOUT PRIOR WRITTEN CONSENT OF STEWART CONNECTOR. ONE OR MORE U.S. PATENTS MAY APPLY TO THIS PRODUCT. FOR DETAILS, PLEASE VISIT: [HTTP://BELFUSE.COM/STEWART/STEWART\\_PATENTS/](http://BELFUSE.COM/STEWART/STEWART_PATENTS/)

DRN BY:	GWL	DATE	8/28/2017
APPD BY:	DHG	DATE	8/29/2017
DWG NO.	CT520002	REV.	A1