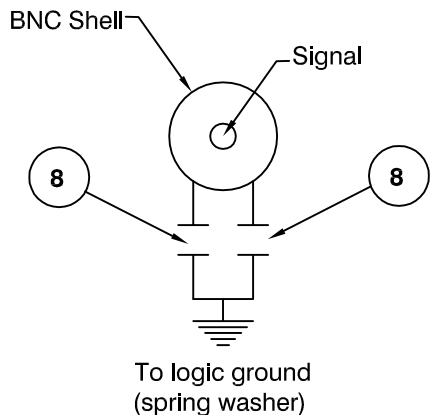
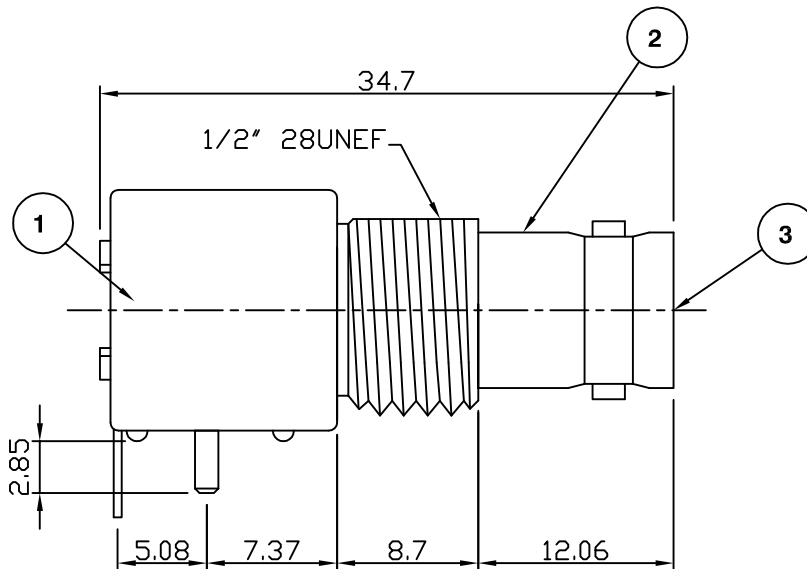
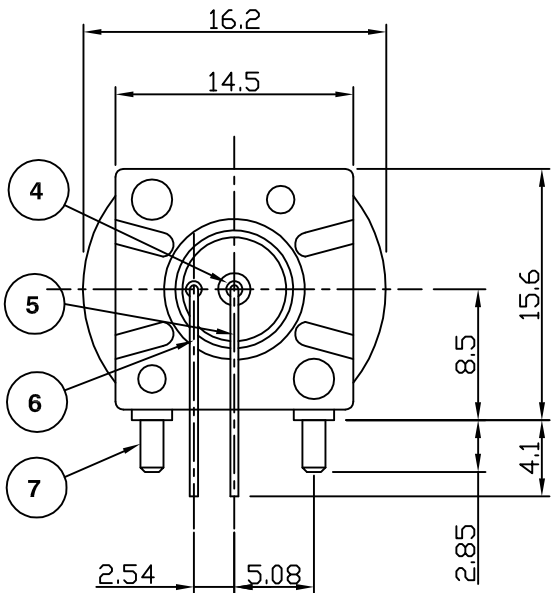
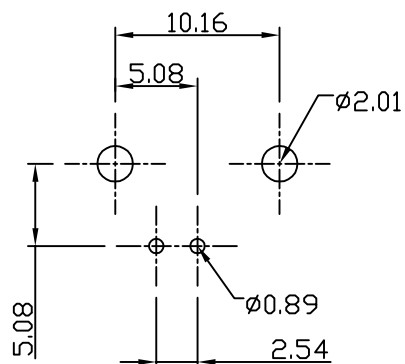


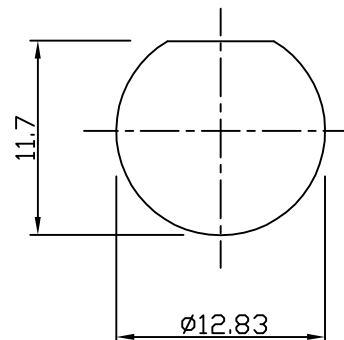
RoHS COMPLIANT



Capacitor Circuit Diagram



Recommended PCB Layout



Panel Cut-out

**Electrical Characteristics**  
 Nominal Impedance: 75 ohms  
 Frequency Range: DC to 1 GHz  
 Operating Voltage (rms): 500 V maximum at sea level  
 Dielectric Withstand Voltage (rms): 1500 V maximum at sea level  
 Contact Resistance: 3.0 milliohms maximum  
 Insulation Resistance: 5000 megohms minimum

**Mechanical Characteristics**  
 Mating Cycles: 500 cycles minimum  
 Interface Dimensions: Conform to MIL-C-39012

**Environmental Characteristics**  
 Temperature Range: -65 °C to +165 °C

PART	DESCRIPTION
1	Body
2	Body
3	Insulator
4	Contact
5	Signal Lead
6	Ground Terminal
7	Mounting Post
8	Ceramic Chip Capacitor X 2

Corrected note Item 5, was tin lead	MS	2	05 Sep 13
First Issue	SN	1	11 Dec 01
DESCRIPTION OF REVISION	APPVD	ISS	DATE



Cinch Connectivity Solutions  
 11 Bilton Road,  
 Chelmsford, Essex,  
 CM1 3AA,  
 UK.  
 Tel: +44 (0) 1245 359515  
 Fax: +44 (0) 1245 358938

SCALE: Not To Scale

DIMENSIONS: mm

TOLERANCES:  
 ± 0.2mm unless  
 otherwise stated

DRAWN BY:

S Nash

CHECKED BY:

P Couzens

APPROVED BY:

M Nielsen

DATE:

11 Dec 01

TITLE:

BNC Right Angle PCB Mount  
 Jack Filter Connector

PART NUMBER:

**VBF201-75**

PAGE: 1 of 1