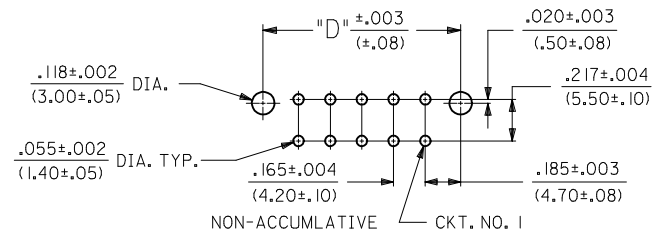


CIRCUIT SIZE	DIM. "A"	DIM. "B"	DIM. "C"	DIM. "D"	DIM. "E"
2	.520 (13.20)	—	.425 (10.80)	.370 (9.40)	.21 (5.4)
4	.685 (17.40)	.17 (4.2)	.590 (15.00)	.535 (13.60)	.38 (9.6)
6	.850 (21.60)	.33 (8.4)	.756 (19.20)	.701 (17.80)	.54 (13.8)
8	1.016 (25.80)	.50 (12.6)	.921 (23.40)	.866 (22.00)	.71 (18.0)
10	1.181 (30.00)	.66 (16.8)	1.087 (27.60)	1.031 (26.20)	.87 (22.2)
12	1.346 (34.20)	.83 (21.0)	1.252 (31.80)	1.197 (30.40)	1.04 (26.4)
14	1.512 (38.40)	.99 (25.2)	1.417 (36.00)	1.362 (34.60)	1.20 (30.6)
16	1.677 (42.60)	1.16 (29.4)	1.583 (40.20)	1.528 (38.80)	1.37 (34.8)
18	1.843 (46.80)	1.32 (33.6)	1.748 (44.40)	1.693 (43.00)	1.54 (39.0)
20	2.008 (51.00)	1.49 (37.8)	1.913 (48.60)	1.858 (47.20)	1.70 (43.2)
22	2.173 (55.20)	1.65 (42.0)	2.079 (52.80)	2.024 (51.40)	1.87 (47.4)
24	2.339 (59.40)	1.82 (46.2)	2.244 (57.00)	2.189 (55.60)	2.03 (51.6)

LEGEND:
 A - 42440 - *** *
 BASE NUMBER — PLATING (SEE NOTE 2.)
 CIRCUIT SIZE (02-24) — HOUSING MAT'L. & OPTIONS (SEE NOTE 1.)



RECOMMENDED HOLE LAYOUT FOR .070/(1.78) MAX. THICK P.C. BOARD
 (SCALE: 2X)

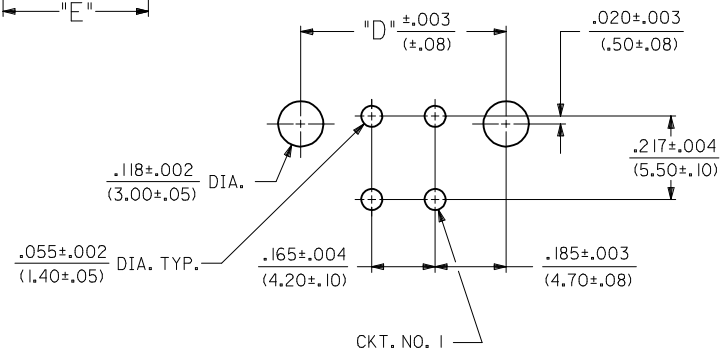
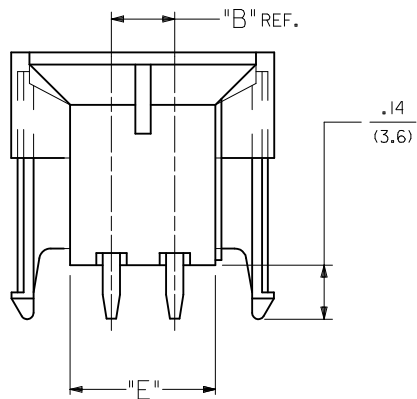
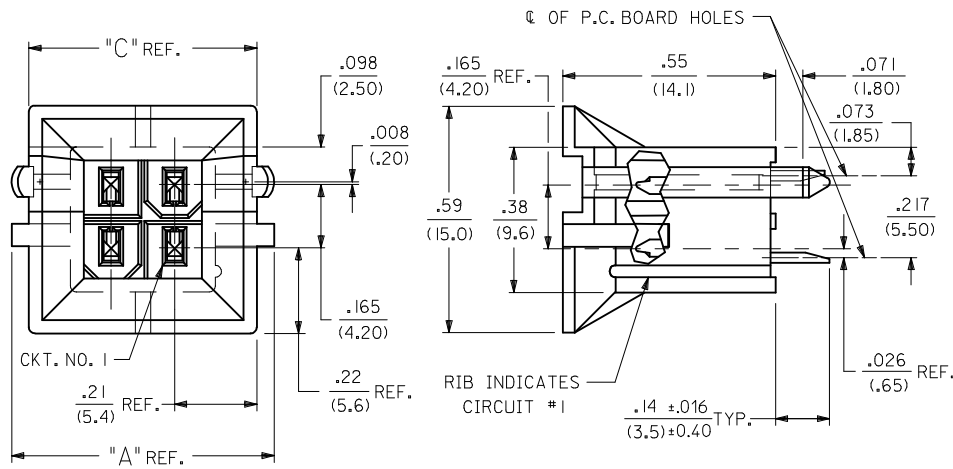
---	22, ---23	42474-***21, 5556-GS*P	94V-0	BRASS	GOLD
---	12, ---13	42474-***11, 5556-GS*P	94V-2	BRASS	GOLD
---	21	42474-***21, 5556-S*P	94V-0	BRASS	TIN
---	11	42474-***11, 5556-S*P	94V-2	BRASS	TIN
---	22, ---23,	A-42385-***B2, ---B4	94V-0	BRASS	GOLD
---	12, ---13,	A-42385-***A2, ---A4	94V-2	BRASS	GOLD
---	21	A-42385-***B1	94V-0	BRASS	TIN
---	11	A-42385-***A1	94V-2	BRASS	TIN
VERT. HEADER A-42440		MATING CONNECTOR	HSG. MAT'L. TERM. MAT'L. PLATING MATING CONNECTOR FEATURES		

ADD 0.40 TOL	2012/08/20	QUALITY SYMBOLS
EC NO: UCP2013-0706	2012/08/20	▽=0
DRW:NGUYEN	2012/08/20	▽=0
CHKD:JBELL	2012/09/05	▽=0
APPR:FSMITH		
REV	DESCRIPTION	
Q5		

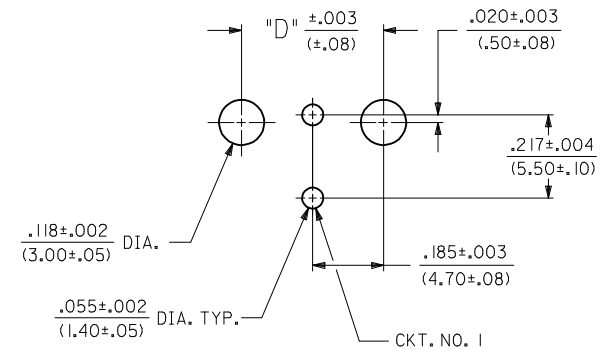
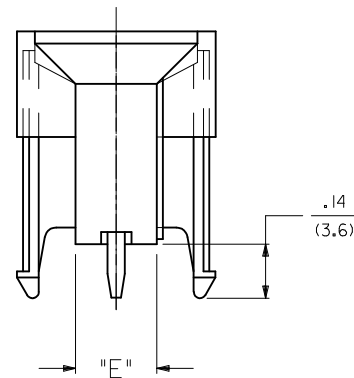
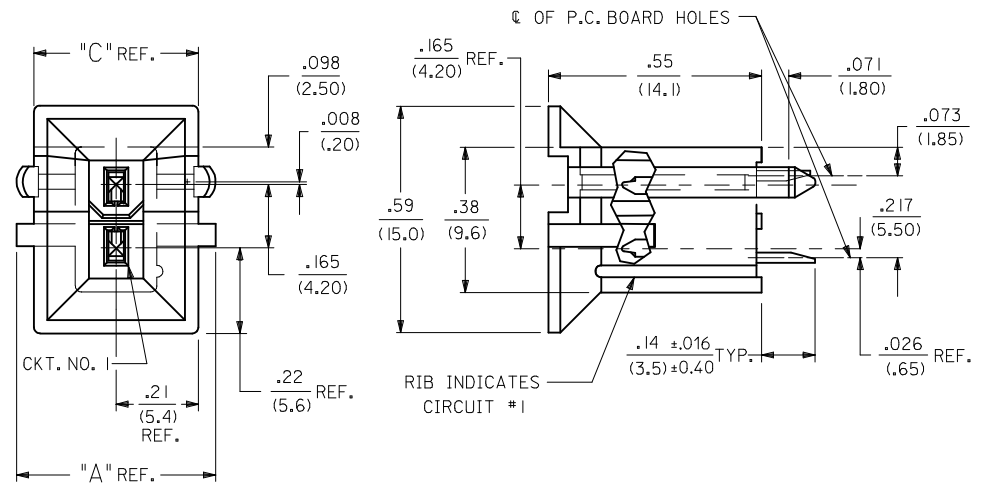
GENERAL TOLERANCES (UNLESS SPECIFIED)
 mm INCH
 4 PLACES ± --- ± ---
 3 PLACES ± --- ± .010
 2 PLACES ± 0.25 ± .015
 1 PLACE ± 0.38 ± ---
 ANGULAR ± 5 °
 DRAFT WHERE APPLICABLE
 MUST REMAIN WITHIN DIMENSIONS

DIMENSION STYLE IN/MM
 SCALE 4:1
 DESIGN UNITS METRIC
 THIRD ANGLE PROJECTION
 DRAWN BY GEP DATE 1989/04/06
 CHECKED BY RJF DATE 1989/04/06
 APPROVED BY FSMITH DATE 2011/02/11
 MATERIAL NO. SEE CHART
 DOCUMENT NO. SDA-42440-****

MOLEX INCORPORATED
 SHEET NO. 1 OF 4
 THIS DRAWING CONTAINS INFORMATION THAT IS PROPRIETARY TO MOLEX INCORPORATED AND SHOULD NOT BE USED WITHOUT WRITTEN PERMISSION



RECOMMENDED HOLE LAYOUT FOR .070/(1.78) MAX. THICK P.C. BOARD



RECOMMENDED HOLE LAYOUT FOR .070/(1.78) MAX. THICK P.C. BOARD

SEE SHEET 1 EC NO: UCP2013-0706 DRAWN: NGUYEN CHKD: BELL APPR: FSMITH 2012/08/20 2012/08/20 2012/09/05	QUALITY SYMBOLS	GENERAL TOLERANCES (UNLESS SPECIFIED)	DIMENSION STYLE	SCALE	DESIGN UNITS	THIRD ANGLE PROJECTION
	▽=0	mm INCH	IN/MM	1:1	METRIC	
	▽=0	4 PLACES ± --- ± ---	DRAWN BY DATE	TITLE		
	▽=0	3 PLACES ± --- ± .010	CHECKED BY DATE	MINI-FIT B.M.I. VERTICAL HEADER ASSY		
	▽=0	2 PLACES ± 0.25 ± .015	APPROVED BY DATE	MATERIAL NO. DOCUMENT NO. SHEET NO.		
	ANGULAR ± 5 °	DRAFT WHERE APPLICABLE MUST REMAIN WITHIN DIMENSIONS	FSMITH 2011/02/11	1:1	MOLEX INCORPORATED	SDA-42440-**** 2 OF 4
Q5	REV	SIZE	THIS DRAWING CONTAINS INFORMATION THAT IS PROPRIETARY TO MOLEX INCORPORATED AND SHOULD NOT BE USED WITHOUT WRITTEN PERMISSION			


NOTES:

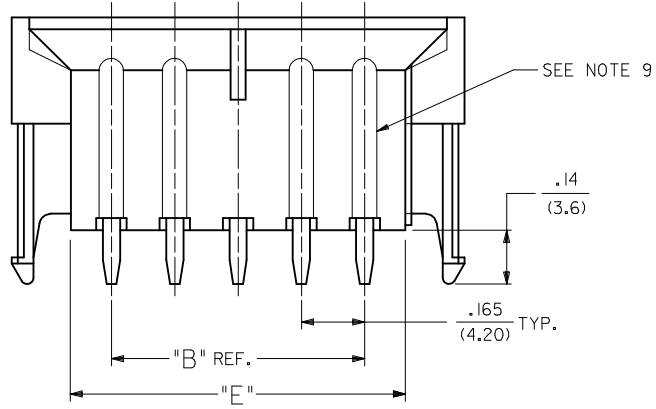
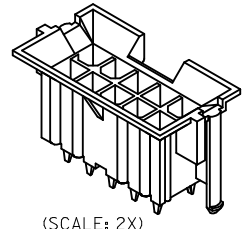
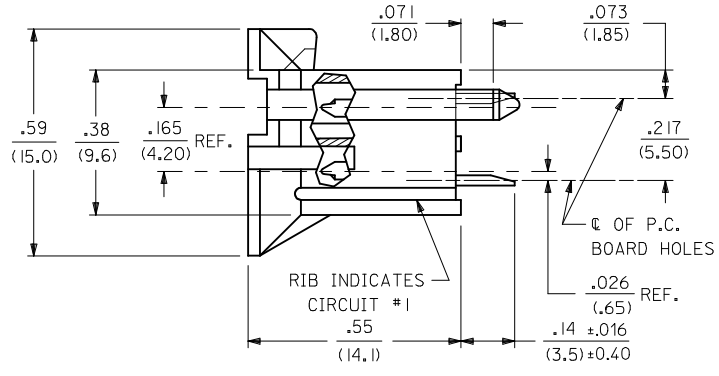
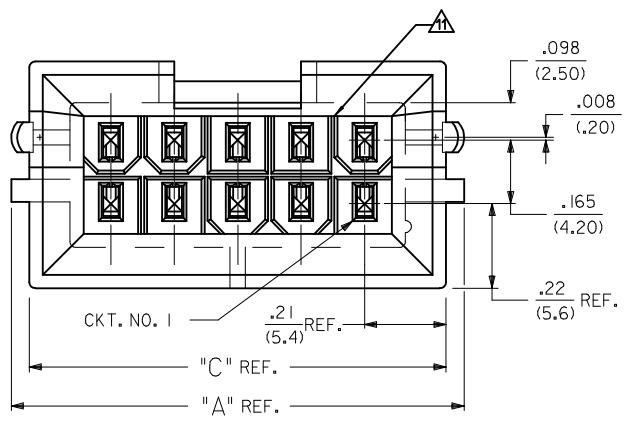
- 1) MATERIAL:
HOUSING MATERIAL:
1 = NYLON 6/6, UNFILLED UL 94V-2, COLOR: NATURAL
2 = NYLON 6/6, UNFILLED UL 94V-0, COLOR: NATURAL
TERMINALS: BRASS
- 2) TERMINAL PLATING:
S = .000100/(0.00254) MIN. BRIGHT TIN OVER .000050/(0.00127) MIN. NICKEL
GS = .000030/(0.00076) MIN. SELECT GOLD AND .000100/(0.00254) MIN.
SELECT MATTE TIN OVER .000050/(.00127) MIN. NICKEL OVERALL
GS3 = .000050/(0.00127) MIN. SELECT GOLD AND .000100/(0.00254) MIN.
SELECT MATTE TIN OVER .000050/(.00127) MIN. NICKEL OVERALL
- 3) PRODUCT SPECIFICATION: PS-5556-002
- 4) PACKAGING: SEE CHARTS
- 5) 6-24 CIRCUIT PARTS MATE WITH MINI-FIT JR. RECEPTACLES 5557, 42474, 44516 AND HEADERS 42385; 2 AND 4 CIRCUIT PARTS MATE WITH 42385,44516 AND 42474 ONLY.
- 6) PART ALLOWS FOR UP TO .100/(2.54) MISALIGNMENT WITH MATING RECEPTACLE IN ANY DIRECTION. SEE MATING CONNECTOR DRAWINGS FOR SPECIFIC ALLOWANCES.
- 7) CONNECTOR IS NOT DESIGNED FOR CURRENT SHARING.
- 8) CONNECTOR ASSEMBLIES ARE NOT BE MATED OR UNMATED WHILE CIRCUITS ARE LIVE.
- 9) RIB LOCATION IS DETERMINED BY MOLD DESIGN FOR MANUFACTURING EASE AND THE LOCATION DOES NOT AFFECT PART FUNCTION OR PERFORMANCE. LOCATION OF RIBS MAY VARY ON PARTS WITHIN MAUFACTURING LOT OR SHIPMENT. THIS DRAWING SHOWS TYPICAL RIB LOCATIONS.
- 10) PART CONFORMS TO CLASS "B" REQUIREMENTS OF COSMETIC SPECIFICATION PS-45499-002.
- 11) 12 CIRCUIT PARTS HAVE A SLOT BETWEEN CIRCUITS 7 AND 8.

SEE SHEET 1 EC NO: UCP2013-0706 DRAWING: NGUYEN 2012/08/20 CHKD: BELLE 2012/08/20 APPR: FSMITH 2012/09/05	QUALITY SYMBOLS	GENERAL TOLERANCES (UNLESS SPECIFIED)		DIMENSION STYLE IN/MM		SCALE 1:1	DESIGN UNITS METRIC	THIRD ANGLE PROJECTION		
	▽=0	mm	INCH	DRAWN BY GEP	DATE 1989/04/06	TITLE MINI-FIT B.M.I. VERTICAL HEADER ASSY				
	▽=0	4 PLACES ± --- ± ---	3 PLACES ± --- ± .010	CHECKED BY RJF	DATE 1989/04/06					
	▽=0	2 PLACES ± 0.25 ± .015	1 PLACE ± 0.38 ± ---	APPROVED BY FSMITH	DATE 2011/02/11					
		ANGULAR ± 5 °		MATERIAL NO. SEE CHART		DOCUMENT NO. SDA-42440-****		SHEET NO. 3 OF 4		
	DRAFT WHERE APPLICABLE MUST REMAIN WITHIN DIMENSIONS			SIZE C THIS DRAWING CONTAINS INFORMATION THAT IS PROPRIETARY TO MOLEX INCORPORATED AND SHOULD NOT BE USED WITHOUT WRITTEN PERMISSION						

13	12	11	10	9	8	7	6	5	4	3	2	1			
PLATING: TIN (SEE NOTE 2 OPTION 'S')				PLATING: TIN (SEE NOTE 2 OPTION 'S')				PLATING: 30 M.I. SELECT GOLD (SEE NOTE 2 OPTION 'GS')				PLATING: 30 M.I. SELECT GOLD (SEE NOTE 2 OPTION 'GS')			
DRAINS: WITHOUT DRAIN HOLES				DRAINS: WITHOUT DRAIN HOLES				DRAINS: WITHOUT DRAIN HOLES				DRAINS: WITHOUT DRAIN HOLES			
PEGS: WITH PEGS				PEGS: WITH PEGS				PEGS: WITH PEGS				PEGS: WITH PEGS			
MAT'L: 94V-2 [NATURAL]				MAT'L: 94V-0 [NATURAL]				MAT'L: 94V-2 [NATURAL]				MAT'L: 94V-0 [NATURAL]			
PACKAGING: TRAY PER PK-42440-001				PACKAGING: TRAY PER PK-42440-001				PACKAGING: TRAY PER PK-42440-001				PACKAGING: TRAY PER PK-42440-001			
PART NO.	ENG NO.		CKTS	PART NO.	ENG NO.		CKTS	PART NO.	ENG NO.		CKTS	PART NO.	ENG NO.		CKTS
NO EDP	A-42440-0211	-	2	NO EDP	A-42440-0221	-	2	NO EDP	A-42440-0212	-	2	NO EDP	A-42440-0222	-	2
15-24-6041	A-42440-0411	-	4	15-24-6042	A-42440-0421	-	4	15-28-6041	A-42440-0412	-	4	15-28-6042	A-42440-0422	-	4
15-24-6061	A-42440-0611	-	6	15-24-6062	A-42440-0621	-	6	15-28-6061	A-42440-0612	-	6	15-28-6062	A-42440-0622	-	6
NO EDP	A-42440-0811	-	8	NO EDP	A-42440-0821	-	8	NO EDP	A-42440-0812	-	8	NO EDP	A-42440-0822	-	8
15-24-6101	A-42440-1011	-	10	15-24-6102	A-42440-1021	-	10	15-28-6101	A-42440-1012	-	10	15-28-6102	A-42440-1022	-	10
15-24-6121	A-42440-1211	-	12	15-24-6122	A-42440-1221	-	12	15-28-6121	A-42440-1212	-	12	15-28-6122	A-42440-1222	-	12
15-24-6141	A-42440-1411	-	14	15-24-6142	A-42440-1421	-	14	15-28-6141	A-42440-1412	-	14	15-28-6142	A-42440-1422	-	14
15-24-6161	A-42440-1611	-	16	15-24-6162	A-42440-1621	-	16	15-28-6161	A-42440-1612	-	16	NO EDP	A-42440-1622	-	16
15-24-6181	A-42440-1811	-	18	15-24-6182	A-42440-1821	-	18	15-28-6181	A-42440-1812	-	18	15-28-6182	A-42440-1822	-	18
NO EDP	A-42440-2011	-	20	NO EDP	A-42440-2021	-	20	NO EDP	A-42440-2012	-	20	NO EDP	A-42440-2022	-	20
NO EDP	A-42440-2211	-	22	NO EDP	A-42440-2221	-	22	NO EDP	A-42440-2212	-	22	NO EDP	A-42440-2222	-	22
15-24-6241	A-42440-2411	-	24	15-24-6242	A-42440-2421	-	24	15-28-6241	A-42440-2412	-	24	15-28-6242	A-42440-2422	-	24
	-	-			-	-			-	-			-	-	
	-	-			-	-			-	-			-	-	

PLATING: 50 M.I. SELECT GOLD (SEE NOTE 2 OPTION 'GS3')				PLATING: 50 M.I. SELECT GOLD (SEE NOTE 2 OPTION 'GS3')				PLATING:				PLATING:			
DRAINS: WITHOUT DRAIN HOLES				DRAINS: WITHOUT DRAIN HOLES				DRAINS:				DRAINS:			
PEGS: WITH PEGS				PEGS: WITH PEGS				PEGS:				PEGS:			
MAT'L: 94V-2 [NATURAL]				MAT'L: 94V-0 [NATURAL]				MAT'L:				MAT'L:			
PACKAGING: TRAY PER PK-42440-001				PACKAGING: TRAY PER PK-42440-001				PACKAGING:				PACKAGING:			
PART NO.	ENG NO.		CKTS	PART NO.	ENG NO.		CKTS	PART NO.	ENG NO.		CKTS	PART NO.	ENG NO.		CKTS
NO EDP	A-42440-0213	-	2	NO EDP	A-42440-0223	-	2	NO EDP	-	-	2	NO EDP	-	-	2
NO EDP	A-42440-0413	-	4	NO EDP	A-42440-0423	-	4	NO EDP	-	-	4	NO EDP	-	-	4
NO EDP	A-42440-0613	-	6	NO EDP	A-42440-0623	-	6	NO EDP	-	-	6	NO EDP	-	-	6
NO EDP	A-42440-0813	-	8	NO EDP	A-42440-0823	-	8	NO EDP	-	-	8	NO EDP	-	-	8
NO EDP	A-42440-1013	-	10	NO EDP	A-42440-1023	-	10	NO EDP	-	-	10	NO EDP	-	-	10
NO EDP	A-42440-1213	-	12	NO EDP	A-42440-1223	-	12	NO EDP	-	-	12	NO EDP	-	-	12
NO EDP	A-42440-1413	-	14	NO EDP	A-42440-1423	-	14	NO EDP	-	-	14	NO EDP	-	-	14
NO EDP	A-42440-1613	-	16	NO EDP	A-42440-1623	-	16	NO EDP	-	-	16	NO EDP	-	-	16
NO EDP	A-42440-1813	-	18	NO EDP	A-42440-1823	-	18	NO EDP	-	-	18	NO EDP	-	-	18
NO EDP	A-42440-2013	-	20	NO EDP	A-42440-2023	-	20	NO EDP	-	-	20	NO EDP	-	-	20
NO EDP	A-42440-2213	-	22	NO EDP	A-42440-2223	-	22	NO EDP	-	-	22	NO EDP	-	-	22
NO EDP	A-42440-2413	-	24	NO EDP	A-42440-2423	-	24	NO EDP	-	-	24	NO EDP	-	-	24
	-	-			-	-			-	-			-	-	
	-	-			-	-			-	-			-	-	

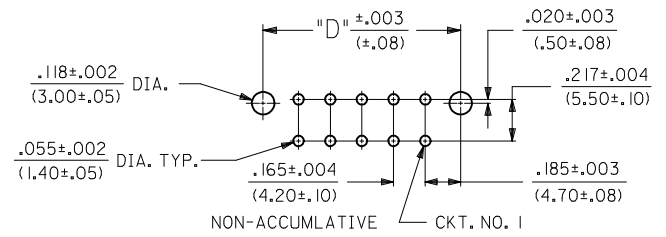
SEE SHEET 1 EC NO: UCP2013-0706 DRAWING: NGUYEN 2012/08/20 CHKD: J.BELL 2012/08/20 APPR: FSMITH	QUALITY SYMBOLS ∇=0 ∇=0 ∇=0	GENERAL TOLERANCES (UNLESS SPECIFIED)		DIMENSION STYLE IN/MM		SCALE 1:1	DESIGN UNITS METRIC	THIRD ANGLE PROJECTION		
		4 PLACES ± --- ± ---		DRAWN BY GEP		DATE 1989/04/06		MINI-FIT B.M.I. VERTICAL HEADER ASSY		
		3 PLACES ± --- ± .010		CHECKED BY R.J.F.		DATE 1989/04/06				
		2 PLACES ± 0.25 ± .015		APPROVED BY FSMITH		DATE 2011/02/11		 MOLEX INCORPORATED		
1 PLACE ± 0.38 ± ---		ANGULAR ± 5 °		MATERIAL NO.		DOCUMENT NO.		SHEET NO.		
DRAFT WHERE APPLICABLE MUST REMAIN WITHIN DIMENSIONS				SEE CHART		SDA-42440-****		4 OF 4		
THIS DRAWING CONTAINS INFORMATION THAT IS PROPRIETARY TO MOLEX INCORPORATED AND SHOULD NOT BE USED WITHOUT WRITTEN PERMISSION										



CIRCUIT SIZE	DIM. "A"	DIM. "B"	DIM. "C"	DIM. "D"	DIM. "E"
2	.520 (13.20)	—	.425 (10.80)	.370 (9.40)	.21 (5.4)
4	.685 (17.40)	.17 (4.2)	.590 (15.00)	.535 (13.60)	.38 (9.6)
6	.850 (21.60)	.33 (8.4)	.756 (19.20)	.701 (17.80)	.54 (13.8)
8	1.016 (25.80)	.50 (12.6)	.921 (23.40)	.866 (22.00)	.71 (18.0)
10	1.181 (30.00)	.66 (16.8)	1.087 (27.60)	1.031 (26.20)	.87 (22.2)
12	1.346 (34.20)	.83 (21.0)	1.252 (31.80)	1.197 (30.40)	1.04 (26.4)
14	1.512 (38.40)	.99 (25.2)	1.417 (36.00)	1.362 (34.60)	1.20 (30.6)
16	1.677 (42.60)	1.16 (29.4)	1.583 (40.20)	1.528 (38.80)	1.37 (34.8)
18	1.843 (46.80)	1.32 (33.6)	1.748 (44.40)	1.693 (43.00)	1.54 (39.0)
20	2.008 (51.00)	1.49 (37.8)	1.913 (48.60)	1.858 (47.20)	1.70 (43.2)
22	2.173 (55.20)	1.65 (42.0)	2.079 (52.80)	2.024 (51.40)	1.87 (47.4)
24	2.339 (59.40)	1.82 (46.2)	2.244 (57.00)	2.189 (55.60)	2.03 (51.6)

LEGEND:

A - 42440 - *** *
 BASE NUMBER ——— PLATING (SEE NOTE 2.)
 CIRCUIT SIZE (02-24) ——— HOUSING MAT'L. & OPTIONS (SEE NOTE 1.)



RECOMMENDED HOLE LAYOUT FOR .070/(1.78) MAX. THICK P.C. BOARD
 (SCALE: 2X)

---	22, ---23	42474-***21, 5556-GS*P	94V-0	BRASS	GOLD
---	12, ---13	42474-***11, 5556-GS*P	94V-2	BRASS	TIN
---	21	42474-***21, 5556-S*P	94V-0	BRASS	TIN
---	11	42474-***11, 5556-S*P	94V-2	BRASS	TIN
---	22, ---23,	A-42385-***B2, ---B4	94V-0	BRASS	GOLD
---	12, ---13,	A-42385-***A2, ---A4	94V-2	BRASS	TIN
---	21	A-42385-***B1	94V-0	BRASS	TIN
---	11	A-42385-***A1	94V-2	BRASS	TIN
VERT. HEADER A-42440		MATING CONNECTOR	HSG. MAT'L. TERM. MAT'L. PLATING MATING CONNECTOR FEATURES		

ADD 0.40 TOL	EC NO: UCP2013-0706	2012/08/20	DRW:NGUYEN	2012/08/20	CHKD:JBELL	2012/09/05	APPR:FSMITH	2012/09/05
Q5	REV	DESCRIPTION	QUALITY SYMBOLS					

GENERAL TOLERANCES (UNLESS SPECIFIED)

	mm	INCH
4 PLACES ± ---	± ---	± ---
3 PLACES ± ---	± .010	± .015
2 PLACES ± 0.25	± .015	± .020
1 PLACE ± 0.38	± ---	± ---

ANGULAR ± 5 °

DRAFT WHERE APPLICABLE
MUST REMAIN WITHIN DIMENSIONS

DIMENSION STYLE
IN/MM

SCALE
4:1

DESIGN UNITS
METRIC

THIRD ANGLE PROJECTION

DRAWN BY
GEP

DATE
1989/04/06

CHECKED BY
RJF

DATE
1989/04/06

APPROVED BY
FSMITH

DATE
2011/02/11

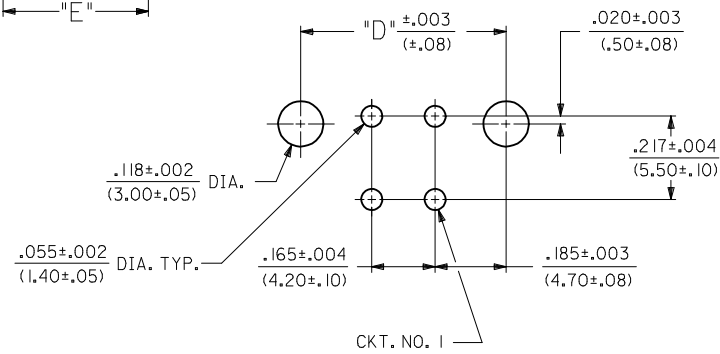
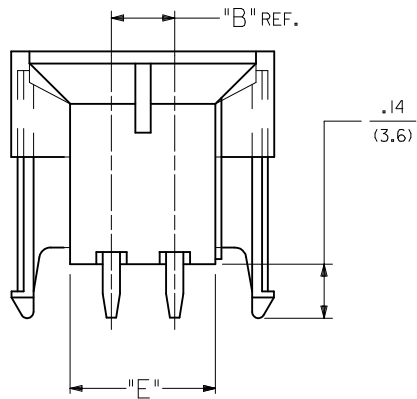
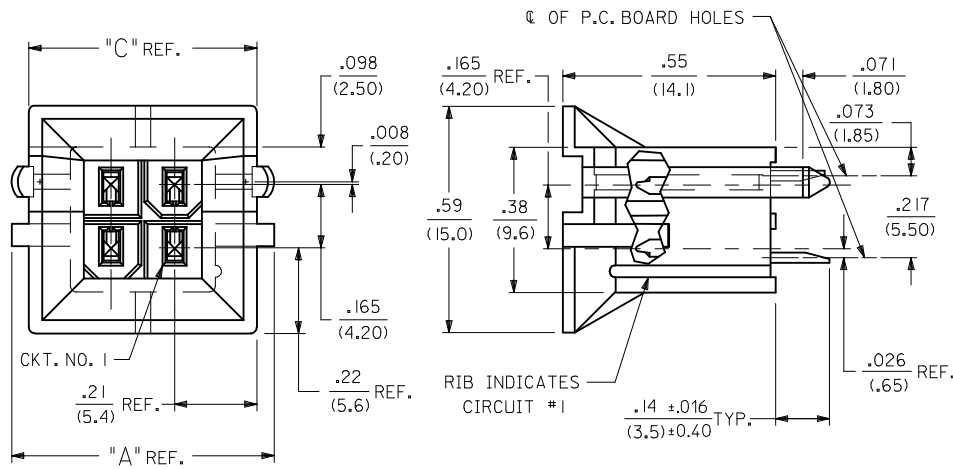
MATERIAL NO.
SEE CHART

DOCUMENT NO.
SDA-42440-****

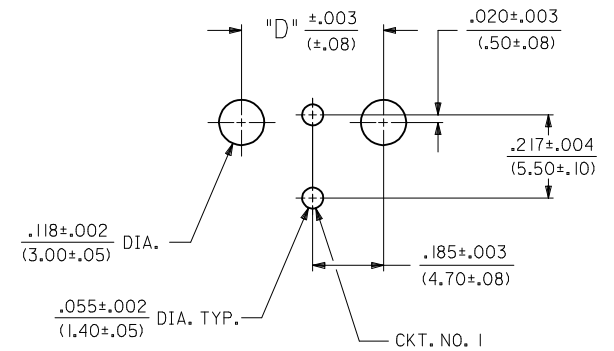
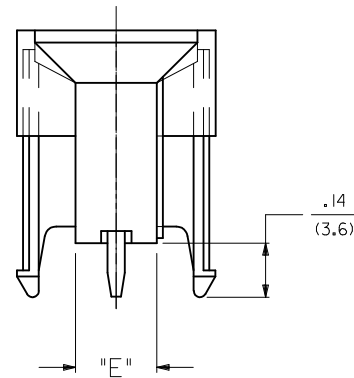
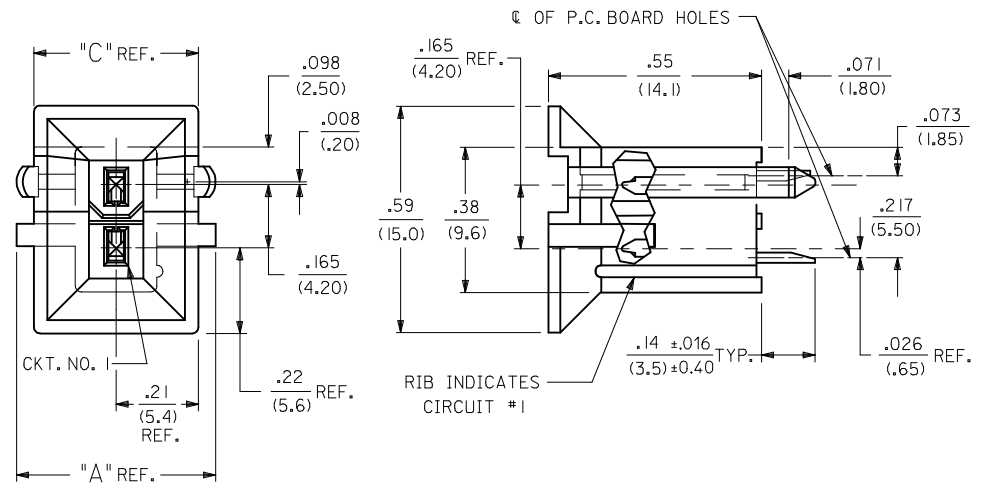
SHEET NO.
1 OF 4

MOLEX INCORPORATED

THIS DRAWING CONTAINS INFORMATION THAT IS PROPRIETARY TO MOLEX INCORPORATED AND SHOULD NOT BE USED WITHOUT WRITTEN PERMISSION



RECOMMENDED HOLE LAYOUT FOR .070/(1.78) MAX. THICK P.C. BOARD



RECOMMENDED HOLE LAYOUT FOR .070/(1.78) MAX. THICK P.C. BOARD

SEE SHEET 1 EC NO: UCP2013-0706 DRAWN: NGUYEN CHKD: BELL APPR: FSMITH 2012/08/20 2012/08/20 2012/09/05	QUALITY SYMBOLS	GENERAL TOLERANCES (UNLESS SPECIFIED)	DIMENSION STYLE	SCALE	DESIGN UNITS	THIRD ANGLE PROJECTION
	▽=0	mm INCH	IN/MM	1:1	METRIC	
	▽=0	4 PLACES ± --- ± ---	DRAWN BY DATE	TITLE		
	▽=0	3 PLACES ± --- ± .010	CHECKED BY DATE	MINI-FIT B.M.I. VERTICAL HEADER ASSY		
	▽=0	2 PLACES ± 0.25 ± .015	APPROVED BY DATE	MATERIAL NO. DOCUMENT NO. SHEET NO.		
Q5	ANGULAR ± 5 °	DRAFT WHERE APPLICABLE MUST REMAIN WITHIN DIMENSIONS	FSMITH 2011/02/11	SEE CHART	SDA-42440-****	2 OF 4
THIS DRAWING CONTAINS INFORMATION THAT IS PROPRIETARY TO MOLEX INCORPORATED AND SHOULD NOT BE USED WITHOUT WRITTEN PERMISSION						

NOTES:

- 1) MATERIAL:
HOUSING MATERIAL:
1 = NYLON 6/6, UNFILLED UL 94V-2, COLOR: NATURAL
2 = NYLON 6/6, UNFILLED UL 94V-0, COLOR: NATURAL
TERMINALS: BRASS
- 2) TERMINAL PLATING:
S = .000100/(0.00254) MIN. BRIGHT TIN OVER .000050/(0.00127) MIN. NICKEL
GS = .000030/(0.00076) MIN. SELECT GOLD AND .000100/(0.00254) MIN.
SELECT MATTE TIN OVER .000050/(.00127) MIN. NICKEL OVERALL
GS3 = .000050/(0.00127) MIN. SELECT GOLD AND .000100/(0.00254) MIN.
SELECT MATTE TIN OVER .000050/(.00127) MIN. NICKEL OVERALL
- 3) PRODUCT SPECIFICATION: PS-5556-002
- 4) PACKAGING: SEE CHARTS
- 5) 6-24 CIRCUIT PARTS MATE WITH MINI-FIT JR. RECEPTACLES 5557, 42474, 44516 AND HEADERS 42385; 2 AND 4 CIRCUIT PARTS MATE WITH 42385,44516 AND 42474 ONLY.
- 6) PART ALLOWS FOR UP TO .100/(2.54) MISALIGNMENT WITH MATING RECEPTACLE IN ANY DIRECTION. SEE MATING CONNECTOR DRAWINGS FOR SPECIFIC ALLOWANCES.
- 7) CONNECTOR IS NOT DESIGNED FOR CURRENT SHARING.
- 8) CONNECTOR ASSEMBLIES ARE NOT BE MATED OR UNMATED WHILE CIRCUITS ARE LIVE.
- 9) RIB LOCATION IS DETERMINED BY MOLD DESIGN FOR MANUFACTURING EASE AND THE LOCATION DOES NOT AFFECT PART FUNCTION OR PERFORMANCE. LOCATION OF RIBS MAY VARY ON PARTS WITHIN MAUFACTURING LOT OR SHIPMENT. THIS DRAWING SHOWS TYPICAL RIB LOCATIONS.
- 10) PART CONFORMS TO CLASS "B" REQUIREMENTS OF COSMETIC SPECIFICATION PS-45499-002.
- 11) 12 CIRCUIT PARTS HAVE A SLOT BETWEEN CIRCUITS 7 AND 8.

SEE SHEET 1 EC NO: UCP2013-0706 DRAWING: NGUYEN 2012/08/20 CHKD: BELLE 2012/08/20 APPR: FSMITH 2012/09/05 Q5	QUALITY SYMBOLS	GENERAL TOLERANCES (UNLESS SPECIFIED)		DIMENSION STYLE IN/MM		SCALE 1:1	DESIGN UNITS METRIC	THIRD ANGLE PROJECTION	
		mm	INCH	DRAWN BY GEP	DATE 1989/04/06	TITLE MINI-FIT B.M.I. VERTICAL HEADER ASSY			
		4 PLACES ± .010	3 PLACES ± .010	CHECKED BY RJF	DATE 1989/04/06				
		2 PLACES ± 0.25	1 PLACE ± 0.38	APPROVED BY FSMITH	DATE 2011/02/11				
		ANGULAR ± 5 °		MATERIAL NO. SEE CHART		DOCUMENT NO. SDA-42440-****		SHEET NO. 3 OF 4	
DRAFT WHERE APPLICABLE MUST REMAIN WITHIN DIMENSIONS		THIS DRAWING CONTAINS INFORMATION THAT IS PROPRIETARY TO MOLEX INCORPORATED AND SHOULD NOT BE USED WITHOUT WRITTEN PERMISSION							

13	12	11	10	9	8	7	6	5	4	3	2	1
J	PLATING:	TIN (SEE NOTE 2 OPTION 'S')	PLATING:	TIN (SEE NOTE 2 OPTION 'S')	PLATING:	30 M.I. SELECT GOLD (SEE NOTE 2 OPTION 'GS')	PLATING:	30 M.I. SELECT GOLD (SEE NOTE 2 OPTION 'GS')	PLATING:	30 M.I. SELECT GOLD (SEE NOTE 2 OPTION 'GS')	PLATING:	30 M.I. SELECT GOLD (SEE NOTE 2 OPTION 'GS')
	DRAINS:	WITHOUT DRAIN HOLES	DRAINS:	WITHOUT DRAIN HOLES	DRAINS:	WITHOUT DRAIN HOLES	DRAINS:	WITHOUT DRAIN HOLES	DRAINS:	WITHOUT DRAIN HOLES	DRAINS:	WITHOUT DRAIN HOLES
	PEGS:	WITH PEGS	PEGS:	WITH PEGS	PEGS:	WITH PEGS	PEGS:	WITH PEGS	PEGS:	WITH PEGS	PEGS:	WITH PEGS
	MAT'L:	94V-2 [NATURAL]	MAT'L:	94V-0 [NATURAL]	MAT'L:	94V-0 [NATURAL]	MAT'L:	94V-0 [NATURAL]	MAT'L:	94V-0 [NATURAL]	MAT'L:	94V-0 [NATURAL]
	PACKAGING:	TRAY PER PK-42440-001	PACKAGING:	TRAY PER PK-42440-001	PACKAGING:	TRAY PER PK-42440-001	PACKAGING:	TRAY PER PK-42440-001	PACKAGING:	TRAY PER PK-42440-001	PACKAGING:	TRAY PER PK-42440-001
I	PART NO.	ENG NO.	CKTS	PART NO.	ENG NO.	CKTS	PART NO.	ENG NO.	CKTS	PART NO.	ENG NO.	CKTS
	NO EDP	A-42440-021I	2	NO EDP	A-42440-022I	2	NO EDP	A-42440-0212	2	NO EDP	A-42440-0222	2
	15-24-6041	A-42440-041I	4	15-24-6042	A-42440-042I	4	15-28-6041	A-42440-0412	4	15-28-6042	A-42440-0422	4
	15-24-6061	A-42440-061I	6	15-24-6062	A-42440-062I	6	15-28-6061	A-42440-0612	6	15-28-6062	A-42440-0622	6
	NO EDP	A-42440-081I	8	NO EDP	A-42440-082I	8	NO EDP	A-42440-0812	8	NO EDP	A-42440-0822	8
	15-24-6101	A-42440-101I	10	15-24-6102	A-42440-102I	10	15-28-6101	A-42440-1012	10	15-28-6102	A-42440-1022	10
	15-24-6121	A-42440-121I	12	15-24-6122	A-42440-122I	12	15-28-6121	A-42440-1212	12	15-28-6122	A-42440-1222	12
	15-24-6141	A-42440-141I	14	15-24-6142	A-42440-142I	14	15-28-6141	A-42440-1412	14	15-28-6142	A-42440-1422	14
	15-24-6161	A-42440-161I	16	15-24-6162	A-42440-162I	16	15-28-6161	A-42440-1612	16	NO EDP	A-42440-1622	16
H	15-24-6181	A-42440-181I	18	15-24-6182	A-42440-182I	18	15-28-6181	A-42440-1812	18	15-28-6182	A-42440-1822	18
	NO EDP	A-42440-201I	20	NO EDP	A-42440-202I	20	NO EDP	A-42440-2012	20	NO EDP	A-42440-2022	20
	NO EDP	A-42440-221I	22	NO EDP	A-42440-222I	22	NO EDP	A-42440-2212	22	NO EDP	A-42440-2222	22
	15-24-6241	A-42440-241I	24	15-24-6242	A-42440-242I	24	15-28-6241	A-42440-2412	24	15-28-6242	A-42440-2422	24
	-	-	-	-	-	-	-	-	-	-	-	-
	-	-	-	-	-	-	-	-	-	-	-	-

G	PLATING:	50 M.I. SELECT GOLD (SEE NOTE 2 OPTION 'GS3')	PLATING:	50 M.I. SELECT GOLD (SEE NOTE 2 OPTION 'GS3')	PLATING:		PLATING:		PLATING:			
	DRAINS:	WITHOUT DRAIN HOLES	DRAINS:	WITHOUT DRAIN HOLES	DRAINS:		DRAINS:		DRAINS:			
	PEGS:	WITH PEGS	PEGS:	WITH PEGS	PEGS:		PEGS:		PEGS:			
	MAT'L:	94V-2 [NATURAL]	MAT'L:	94V-0 [NATURAL]	MAT'L:		MAT'L:		MAT'L:			
	PACKAGING:	TRAY PER PK-42440-001	PACKAGING:	TRAY PER PK-42440-001	PACKAGING:		PACKAGING:		PACKAGING:			
F	PART NO.	ENG NO.	CKTS	PART NO.	ENG NO.	CKTS	PART NO.	ENG NO.	CKTS	PART NO.	ENG NO.	CKTS
	NO EDP	A-42440-0213	2	NO EDP	A-42440-0223	2	NO EDP	-	2	NO EDP	-	2
	NO EDP	A-42440-0413	4	NO EDP	A-42440-0423	4	NO EDP	-	4	NO EDP	-	4
	NO EDP	A-42440-0613	6	NO EDP	A-42440-0623	6	NO EDP	-	6	NO EDP	-	6
	NO EDP	A-42440-0813	8	NO EDP	A-42440-0823	8	NO EDP	-	8	NO EDP	-	8
	NO EDP	A-42440-1013	10	NO EDP	A-42440-1023	10	NO EDP	-	10	NO EDP	-	10
	NO EDP	A-42440-1213	12	NO EDP	A-42440-1223	12	NO EDP	-	12	NO EDP	-	12
E	NO EDP	A-42440-1413	14	NO EDP	A-42440-1423	14	NO EDP	-	14	NO EDP	-	14
	NO EDP	A-42440-1613	16	NO EDP	A-42440-1623	16	NO EDP	-	16	NO EDP	-	16
	NO EDP	A-42440-1813	18	NO EDP	A-42440-1823	18	NO EDP	-	18	NO EDP	-	18
	NO EDP	A-42440-2013	20	NO EDP	A-42440-2023	20	NO EDP	-	20	NO EDP	-	20
	NO EDP	A-42440-2213	22	NO EDP	A-42440-2223	22	NO EDP	-	22	NO EDP	-	22
	NO EDP	A-42440-2413	24	NO EDP	A-42440-2423	24	NO EDP	-	24	NO EDP	-	24
D	-	-	-	-	-	-	-	-	-	-	-	-
	-	-	-	-	-	-	-	-	-	-	-	-

A	SEE SHEET 1 EC NO: UCP2013-0706 DRAWING NO: 2012/08/20 CHKD: JBELL APPR: FSMITH	DESCRIPTION REV	QUALITY SYMBOLS	GENERAL TOLERANCES (UNLESS SPECIFIED)	DIMENSION STYLE	SCALE	DESIGN UNITS	THIRD ANGLE PROJECTION
			▽=0	mm INCH	IN/MM	1:1	METRIC	
			▽=0	4 PLACES ± --- ± ---	DRAWN BY DATE	TITLE	MINI-FIT B.M.I. VERTICAL HEADER ASSY	
			▽=0	3 PLACES ± --- ±.010	GEP 1989/04/06	CHECKED BY DATE	MOLEX INCORPORATED	
			2 PLACES ± 0.25 ±.015	RJF 1989/04/06	APPROVED BY DATE	MATERIAL NO.	DOCUMENT NO.	SHEET NO.
			1 PLACE ± 0.38 ± ---	FSMITH 2011/02/11	SEE CHART	SDA-42440-****	4 OF 4	
			ANGULAR ± 5 °		THIS DRAWING CONTAINS INFORMATION THAT IS PROPRIETARY TO MOLEX INCORPORATED AND SHOULD NOT BE USED WITHOUT WRITTEN PERMISSION			