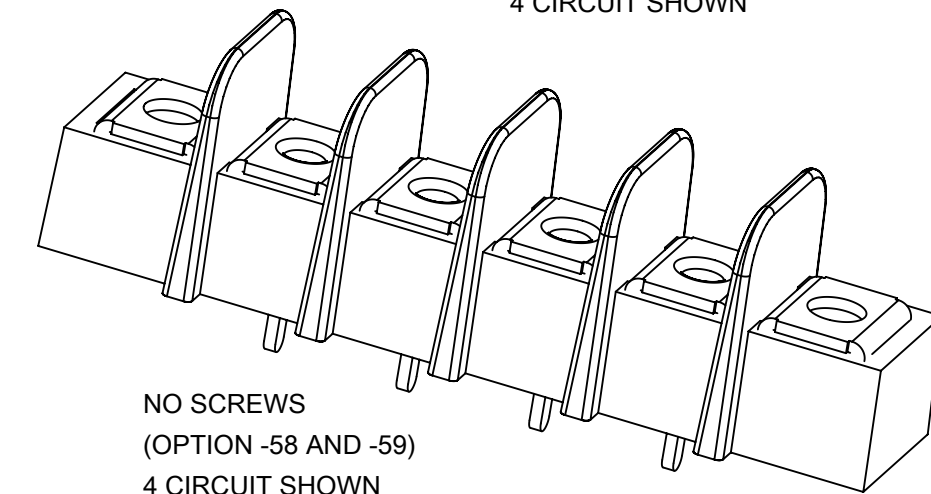
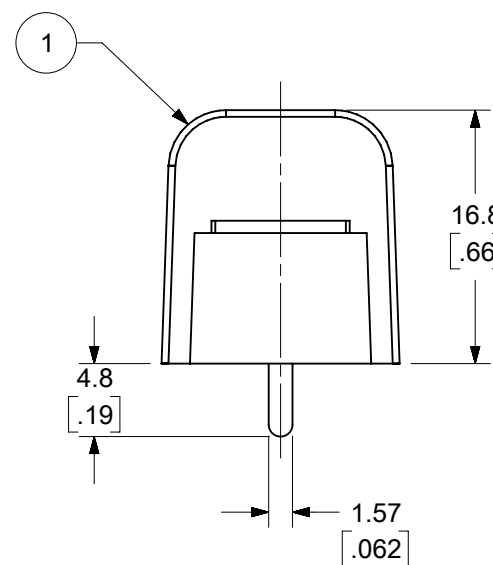
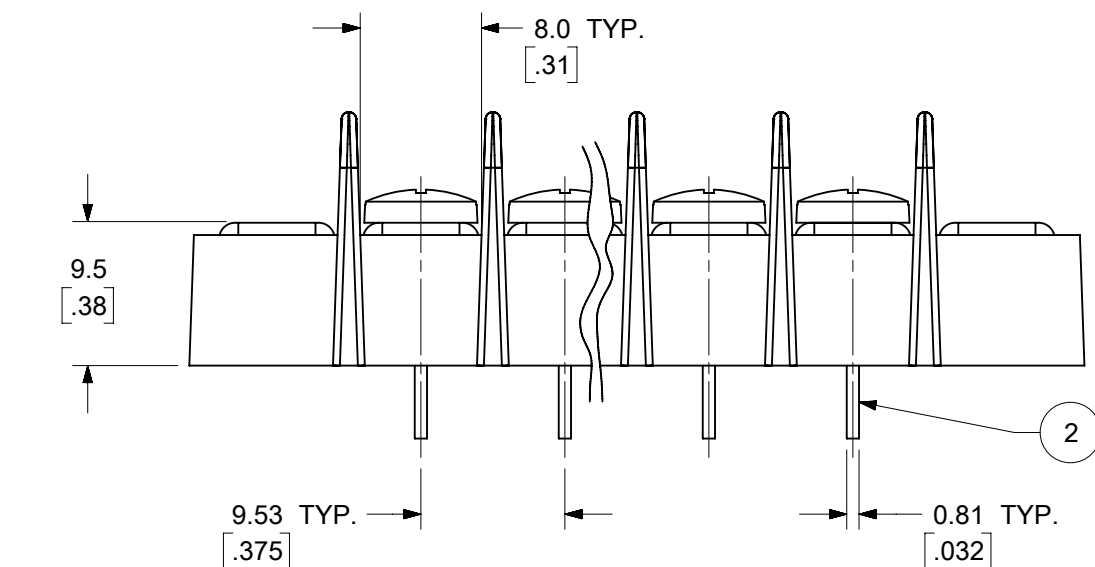


WIRE READY SPEC. (OPTION -47)  
(FOR OPTIONAL SCREW -50  
AND STANDARD SCREW.)

4 CIRCUIT SHOWN



NO SCREWS  
(OPTION -58 AND -59)  
4 CIRCUIT SHOWN

NOTES:

1. MATERIAL: SEE TABLE
2. FINISHES: SEE TABLE
3. INCH DIMENSIONS ARE IN BRACKETS [XXX].
4. REFER TO SD-38120-001 FOR IMPRINTING OPTIONS 10A AND 11A.
5. REFER TO SD-38120-007 FOR IMPRINTING OPTION 12A.
6. "XX" REFERS TO THE QUANTITY OF CIRCUITS.
7. ALL COMPONENTS ARE ROHS COMPLIANT.

|      |      |  |                 |                    |
|------|------|--|-----------------|--------------------|
| 10   | XX   | #6-32 WRDY W/WASH SCR (OPT -47,-50)    | STEEL           | ZN, CLEAR CHROMATE |
| 9    | XX   | #6-32 PH/SLOT WRDY SCR (OPT -47)       | STEEL           | ZN, CLEAR CHROMATE |
| 8    | XX   | #6-32 BHD, PHIL-SLOT SST SCR (OPT -56) | STAINLESS STEEL | PASSIVATE          |
| 7    | XX   | #6-32 PH/SL W/WASH SCR (OPT -49,-50)   | BRASS           | NICKEL             |
| 6    | XX   | #6-32 PH/SL W/WASH SCR (OPT -50)       | STEEL           | ZN, CLEAR CHROMATE |
| 5    | XX   | #6-32 PH/SLOTTED SCREW (OPT -49)       | BRASS           | NICKEL             |
| 4    | XX   | #6-32 PH/SLOTTED SCREW (STD)           | STEEL           | ZN, CLEAR CHROMATE |
| 3    | 2    | MOUNTING PLATE                         | BRASS           | NICKEL             |
| 2    | XX   | TERMINAL, PC                           | BRASS           | BRT. TIN/CU        |
| 1    | 1    | INSULATOR, SINGLE ROW                  | PBT             | BLACK              |
| ITEM | QTY. | DESCRIPTION                            | MATERIAL        | FINISH             |

| TOLERANCES |       |           |       |
|------------|-------|-----------|-------|
| MM         | TOL   | INCH      | TOL   |
| 0-6        | ±0.25 | 0-.24     | ±.010 |
| >6-30      | ±0.40 | .24-1.18  | ±.016 |
| >30-120    | ±0.50 | 1.18-4.76 | ±.020 |
| >120       | ±0.80 | >4.76     | ±.031 |

|                 |  |   |   |
|-----------------|--|---|---|
| SYMBOLS         |  | THIS DRAWING CONTAINS INFORMATION THAT IS PROPRIETARY TO MOLEX ELECTRONIC TECHNOLOGIES, LLC AND SHOULD NOT BE USED WITHOUT WRITTEN PERMISSION |   |
| ▽ = 0           | MM/INCH  | SCALE   | 2:1   |
| ▽ = 0           | GENERAL TOLERANCES (UNLESS SPECIFIED)                |   | CURRENT REV DESC: ADDED PNS 387290485 & 387291667 |
| ▽ = 0           | 4 PLACES ±   | MM  | INCH  |
| ▽ = 0           | 3 PLACES ±   | SEE CHART   | SEE CHART   |
| ▽ = 0           | 2 PLACES ±   | SEE CHART   | SEE CHART   |
| ▽ = 0           | 1 PLACE ±  | SEE CHART   | SEE CHART   |
| ▽ = 0           | 0 PLACES ±   | SEE CHART   | SEE CHART   |
| ⊠ = 0           | ANGULAR TOL ±  |   | ---   |
| ■ = 0           | DRAFT WHERE APPLICABLE MUST REMAIN WITHIN DIMENSIONS |   | THIRD ANGLE PROJECTION                            |
| ▽ = 0           |  |   | DRAWING   |
|                 |  | SERIES  | 38720   |
| DOCUMENT STATUS |  | DOC TYPE  | DOC PART  |
| P1              | RELEASE DATE   | 2019/12/05  | 22:15:21  |
|                 |  | CUSTOMER  | GENERAL MARKET                                    |
|                 |  | SHEET NUMBER  | 1 OF 2  |

**molex**

9.53MM [.375"] SR BTS, PC ASSY

PRODUCT CUSTOMER DRAWING

DOCUMENT NUMBER: SD-38720-001

DOC TYPE: PSD

DOC PART: 001

REVISION: E

MATERIAL NUMBER: SEE SHEET-2

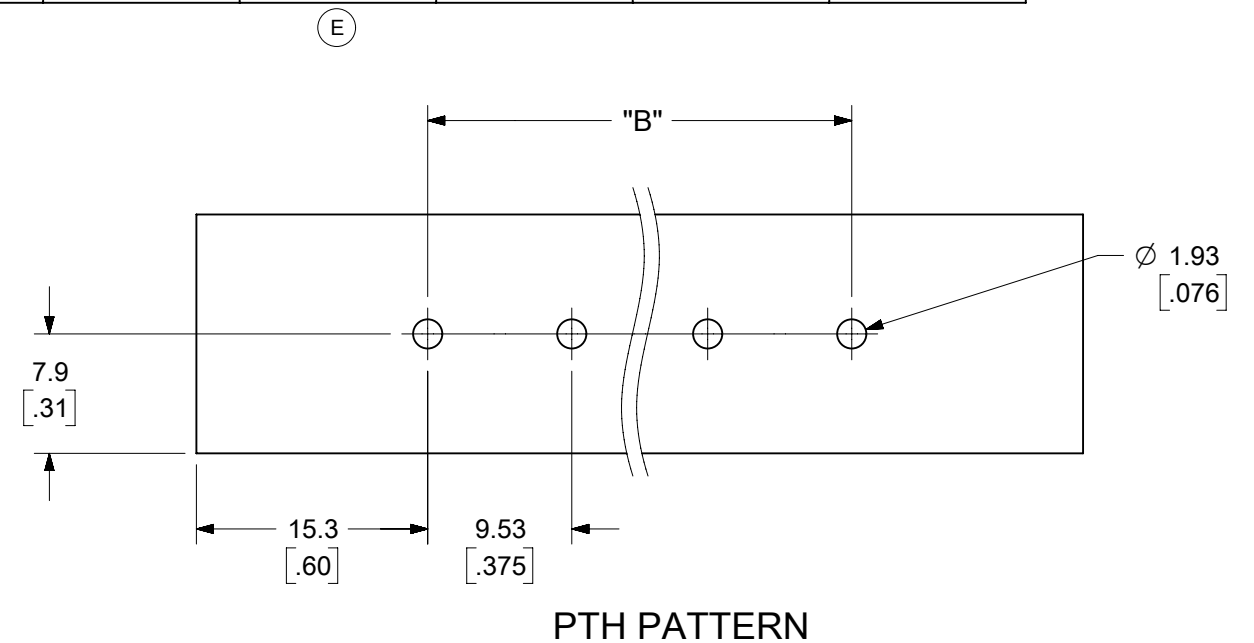
CUSTOMER: GENERAL MARKET

SHEET NUMBER: 1 OF 2

| NUMBER OF CIRCUITS "XX" | MATERIAL NO. (OPT 12A) | MATERIAL NO. (OPT 11A) | MATERIAL NO. (OPT 10A) | MATERIAL NO. (OPT -59) | MATERIAL NO. (OPT -58) | MATERIAL NO. (OPT -56) | MATERIAL NO. (OPT -50) | MATERIAL NO. (OPT -49,-50) | MATERIAL NO. (OPT -49) | MATERIAL NO. (OPT -49,-59) | MATERIAL NO. (OPT -47,-50) | MATERIAL NO. (STD) | NUMBER OF CIRCUITS "XX" |
|-------------------------|------------------------|------------------------|------------------------|------------------------|------------------------|------------------------|------------------------|----------------------------|------------------------|----------------------------|----------------------------|--------------------|-------------------------|
| 01                      |                        |                        |                        |                        |                        | 387290659              |                        |                            |                        |                            |                            | 387206201          | 01                      |
| 02                      |                        |                        | 387291039              |                        | 387290750              | 387290791              | 387207402              | 387291381                  | 387206802              |                            |                            | 387206202          | 02                      |
| 03                      | 387290872              | 387290025              | 387290014              |                        |                        | 387290117              | 387207403              |                            | 387206803              |                            | 387208603                  | 387206203          | 03                      |
| 04                      |                        |                        | 387290940              | 387290945              |                        | 387290839              | 387207404              | 387291159                  | 387206804              |                            |                            | 387206204          | 04                      |
| 05                      | 387290256              |                        | 387290346              |                        |                        | 387291253              | 387207405              | 387291382                  | 387206805              |                            |                            | 387206205          | 05                      |
| 06                      |                        |                        |                        | 387290400              | 387290386              | 387290980              | 387207406              | 387291383                  | 387206806              |                            |                            | 387206206          | 06                      |
| 07                      |                        |                        | 387290423              | 387290407              | 387290435              | 387290440              | 387207407              |                            | 387206807              |                            |                            | 387206207          | 07                      |
| 08                      | 387290497              |                        |                        |                        | 387290508              | 387290532              | 387207408              |                            | 387206808              | 387290485                  |                            | 387206208          | 08                      |
| 09                      |                        |                        | 387290548              |                        | 387290560              |                        | 387207409              |                            | 387206809              |                            |                            | 387206209          | 09                      |
| 10                      |                        |                        | 387291011              | 387290598              | 387290598              | 387291663              | 387207410              |                            | 387206810              |                            |                            | 387206210          | 10                      |
| 11                      |                        |                        |                        |                        |                        | 387291252              | 387207411              |                            |                        |                            |                            | 387206211          | 11                      |
| 12                      |                        |                        | 387290720              |                        |                        | 387290735              | 387207412              |                            | 387206812              | 387291667                  |                            | 387206212          | 12                      |
| 13                      |                        |                        |                        |                        | 387290809              |                        | 387207413              |                            |                        |                            |                            | 387206213          | 13                      |
| 14                      |                        |                        |                        |                        | 387290004              |                        | 387207414              |                            | 387206814              |                            |                            | 387206214          | 14                      |
| 15                      |                        |                        |                        |                        |                        |                        |                        |                            |                        |                            |                            | 387206215          | 15                      |
| 16                      |                        |                        |                        |                        |                        |                        |                        |                            |                        |                            |                            | 387206216          | 16                      |
| 17                      |                        |                        |                        |                        |                        |                        |                        |                            |                        |                            |                            | 387206217          | 17                      |
| 18                      |                        |                        |                        |                        |                        |                        |                        |                            |                        |                            |                            | 387206218          | 18                      |
| 19                      |                        |                        |                        |                        |                        |                        |                        |                            |                        |                            |                            | 387206219          | 19                      |
| 20                      |                        |                        |                        |                        |                        |                        |                        |                            |                        |                            |                            | 387206220          | 20                      |
| 21                      |                        |                        |                        |                        |                        |                        |                        |                            |                        |                            |                            | 387206221          | 21                      |
| 22                      |                        |                        |                        |                        |                        |                        |                        |                            |                        |                            |                            | 387206222          | 22                      |
| 23                      |                        |                        |                        |                        |                        |                        |                        |                            |                        |                            |                            | 387206223          | 23                      |
| 24                      |                        |                        |                        |                        |                        |                        |                        |                            |                        |                            |                            | 387206224          | 24                      |
| 25                      |                        |                        |                        |                        |                        |                        |                        |                            |                        |                            |                            | 387206225          | 25                      |
| 26                      |                        |                        |                        |                        |                        |                        |                        |                            |                        |                            |                            | 387206226          | 26                      |

| NUMBER OF CIRCUITS "XX" | DIM. "A" |         | DIM. "B" |         | DIM. "C" |         | DIM. "D" |        |
|-------------------------|----------|---------|----------|---------|----------|---------|----------|--------|
| 01                      | 30.7     | [1.21]  | --       | --      | 19.1     | [.75]   | 11.6     | [.46]  |
| 02                      | 40.1     | [1.58]  | 9.53     | [.375]  | 28.6     | [1.13]  | 21.1     | [.83]  |
| 03                      | 49.7     | [1.96]  | 19.05    | [.750]  | 38.1     | [1.50]  | 30.6     | [1.21] |
| 04                      | 59.2     | [2.33]  | 28.58    | [1.125] | 47.6     | [1.88]  | 40.1     | [1.58] |
| 05                      | 68.7     | [2.71]  | 38.10    | [1.500] | 57.2     | [2.25]  | 49.7     | [1.96] |
| 06                      | 78.2     | [3.08]  | 47.63    | [1.875] | 66.7     | [2.63]  | 59.2     | [2.33] |
| 07                      | 87.8     | [3.46]  | 57.15    | [2.250] | 76.2     | [3.00]  | 68.7     | [2.71] |
| 08                      | 97.3     | [3.83]  | 66.68    | [2.625] | 85.7     | [3.38]  | 78.2     | [3.08] |
| 09                      | 106.8    | [4.21]  | 76.20    | [3.000] | 95.3     | [3.75]  | 87.8     | [3.46] |
| 10                      | 116.3    | [4.58]  | 85.73    | [3.375] | 104.8    | [4.13]  | 97.3     | [3.83] |
| 11                      | 125.9    | [4.96]  | 95.25    | [3.750] | 114.3    | [4.50]  | 106.8    | [4.21] |
| 12                      | 135.4    | [5.33]  | 104.78   | [4.125] | 123.8    | [4.88]  | 116.3    | [4.58] |
| 13                      | 144.9    | [5.71]  | 114.30   | [4.500] | 133.4    | [5.25]  | 125.9    | [4.96] |
| 14                      | 154.4    | [6.08]  | 123.83   | [4.875] | 142.9    | [5.63]  | 135.4    | [5.33] |
| 15                      | 164.0    | [6.46]  | 133.35   | [5.250] | 152.4    | [6.00]  | 144.9    | [5.71] |
| 16                      | 173.5    | [6.83]  | 142.88   | [5.625] | 161.9    | [6.38]  | 154.4    | [6.08] |
| 17                      | 183.0    | [7.21]  | 152.40   | [6.000] | 171.5    | [6.75]  | 164.0    | [6.46] |
| 18                      | 192.5    | [7.58]  | 161.93   | [6.375] | 181.0    | [7.13]  | 173.5    | [6.83] |
| 19                      | 202.1    | [7.96]  | 171.45   | [6.750] | 190.5    | [7.50]  | 183.0    | [7.21] |
| 20                      | 211.6    | [8.33]  | 180.98   | [7.125] | 200.0    | [7.88]  | 192.5    | [7.58] |
| 21                      | 221.1    | [8.71]  | 190.50   | [7.500] | 209.6    | [8.25]  | 202.1    | [7.96] |
| 22                      | 230.6    | [9.08]  | 200.03   | [7.875] | 219.1    | [8.63]  | 211.6    | [8.33] |
| 23                      | 240.2    | [9.46]  | 209.55   | [8.250] | 228.6    | [9.00]  | 221.1    | [8.71] |
| 24                      | 249.7    | [9.83]  | 219.08   | [8.625] | 238.1    | [9.38]  | 230.6    | [9.08] |
| 25                      | 259.2    | [10.21] | 228.60   | [9.000] | 247.7    | [9.75]  | 240.2    | [9.46] |
| 26                      | 268.7    | [10.58] | 238.13   | [9.375] | 257.2    | [10.13] | 249.7    | [9.83] |

| TOLERANCES |       |           |       |
|------------|-------|-----------|-------|
| MM         | TOL   | INCH      | TOL   |
| 0-6        | ±0.25 | 0-.24     | ±.010 |
| >6-30      | ±0.40 | .24-1.18  | ±.016 |
| >30-120    | ±0.50 | 1.18-4.76 | ±.020 |
| >120       | ±0.80 | >4.76     | ±.031 |



|  |  |     |  |       |  |     |  |   |  |     |  |   |  |           |  |                |  |           |  |                 |  |  |  |          |  |  |  |
|--|--|-----|--|-------|--|-----|--|---|--|-----|--|---|--|-----------|--|----------------|--|-----------|--|-----------------|--|--|--|----------|--|--|--|
| SYMBOLS  |  |     |  |       |  |     |  |   |  |     |  | THIS DRAWING CONTAINS INFORMATION THAT IS PROPRIETARY TO MOLEX ELECTRONIC TECHNOLOGIES, LLC AND SHOULD NOT BE USED WITHOUT WRITTEN PERMISSION |  |           |  |                |  |           |  |                 |  |  |  |          |  |  |  |
| DIMENSION UNITS                                      |  |     |  | SCALE |  |     |  | CURRENT REV DESC: ADDED PNS 387290485 & 387291667 |  |     |  |   |  |           |  |                |  |           |  |                 |  |  |  |          |  |  |  |
| MM/INCH  |  |     |  | 2:1   |  |     |  |   |  |     |  |   |  |           |  |                |  |           |  |                 |  |  |  |          |  |  |  |
| GENERAL TOLERANCES (UNLESS SPECIFIED)                |  |     |  |       |  |     |  |   |  |     |  | EC NO: 627921<br>DRWN: ABENJAMINLW 2019/11/18<br>CHK'D: DACHAMMER 2019/12/04<br>APPR: JFMURPHY 2019/12/05                                     |  |           |  |                |  |           |  |                 |  |  |  |          |  |  |  |
| 4 PLACES ±   |  | --- |  | ±     |  | --- |  | 3 PLACES ±  |  | --- |  |   |  |           |  | ±              |  | SEE CHART |  |                 |  |  |  |          |  |  |  |
| 2 PLACES ±   |  | --- |  | ±     |  | --- |  | 1 PLACE ±   |  | --- |  | ±   |  | SEE CHART |  |                |  |           |  |                 |  |  |  |          |  |  |  |
| 0 PLACES ±   |  | --- |  | ±     |  | --- |  | ANGULAR TOL ±                                     |  | --- |  | ±   |  | ---       |  |                |  |           |  |                 |  |  |  |          |  |  |  |
| DRAFT WHERE APPLICABLE MUST REMAIN WITHIN DIMENSIONS |  |     |  |       |  |     |  |   |  |     |  | THIRD ANGLE PROJECTION  |  |           |  | DRAWING        |  |           |  | SERIES          |  |  |  |          |  |  |  |
|  |  |     |  |       |  |     |  |   |  |     |  | B-SIZE  |  |           |  | 38720          |  |           |  | MATERIAL NUMBER |  |  |  | CUSTOMER |  |  |  |
|  |  |     |  |       |  |     |  |   |  |     |  | SEE CHART   |  |           |  | GENERAL MARKET |  |           |  | SHEET NUMBER    |  |  |  |          |  |  |  |
|  |  |     |  |       |  |     |  |   |  |     |  |   |  |           |  | 2 OF 2         |  |           |  |                 |  |  |  |          |  |  |  |