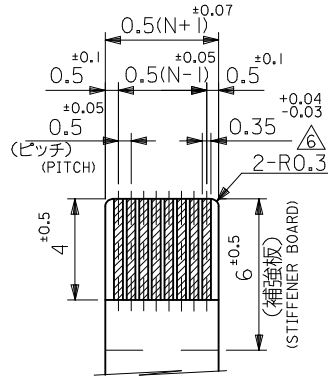


注記 NOTES

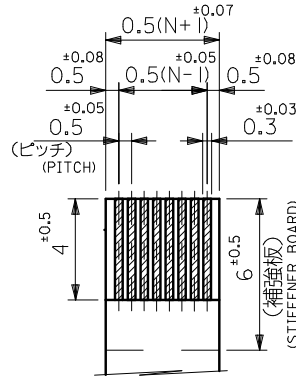
- 使用材料 : MATERIAL
 ハウジング : 46ナイロン, UL94V-0
 HOUSING : 46NYLON
 アクチュエータ : PPS, UL94V-0
 ACTUATOR
 ターミナル : リン青銅, 半田メッキ (t=0.2)
 TERMINAL : PHOS-BRO.TIN-LEAD
 金具 : リン青銅, 半田メッキ (t=0.2)
 FITTING NAIL : PHOS-BRO.TIN-LEAD
- エンボステープ梱包時は、アクチュエータがロックした状態とする。
 IN THE PACKAGE, ACTUATOR OF PART NO.52435-**27 SHOULD BE LOCKED.
- ソルダーテール半田付け面のズレ量、及び金具半田付け面のズレ量は、基準面 H に対し上方向 0.1 MAX. , 下方向 0.15MAX. とする。
 MISALIGNMENT OF SOLDER TAILS AND FITTING NAILS FROM H
 UPPER DIRECTION: 0.1 MAX. , LOWER DIRECTION: 0.15MAX.
- 偶数極に適用。
 APPLY FOR EVEN CIRCUIT.
- パターンはくり止め用金具。
 FITTING NAIL FOR PREVENTION OF PEELING OF P.C.B. PATTERN.
- RO. 3は、FPCの導体部にかからないこと。
 RO.3 MUST NOT BE OVERLAPPED TO PATTERN OF FPC.
- ソルダーテールの平坦度は、0.1 MAXIMUM とする。
 SOLDER TAIL COPLANARITY IS 0.1 MAXIMUM.

MODEL NO. 52435-**27

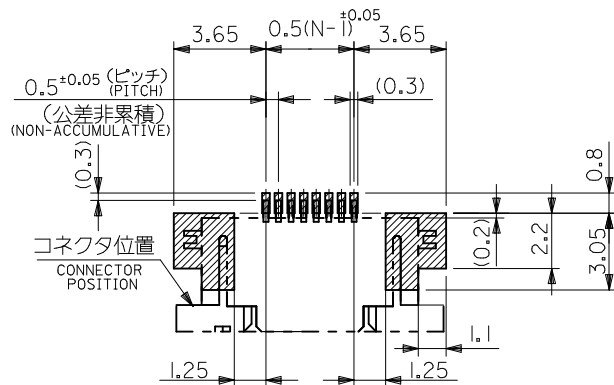
| | | | | | | |
|--|--|-----------------------------|------------------------------|---|--|------------------------|
| REVISED EC NO: J2015-0014 DRWN: AYOSHI 2014/07/08 CHKD: YKOBAYASHI 2014/07/08 APPR: YNOGAWA 2014/07/17 | GENERAL TOLERANCES (UNLESS SPECIFIED) | | DIMENSION STYLE MM ONLY | SCALE --- | DESIGN UNITS METRIC | THIRD ANGLE PROJECTION |
| | 10 UNDER | ±0.2 | DRAWN BY SKAJINUMA | DATE 91/10/31 | TITLE 0.5 FPC CONN ZIF FOR SMT R/A (UPPER CONTACT) | |
| | 10 OVER 30 UNDER | ±0.25 | CHECKED BY MFUKUSHIMA | DATE 97/07/15 | | |
| | 30 OVER | ±0.3 | APPROVED BY MFUKUSHIMA | DATE 97/07/15 | | |
| ANGULAR | ±3 ° | MATERIAL NO. SEE SHEET 2 | DOCUMENT NO. SD-52435-018 | | | |
| | DRAFT WHERE APPLICABLE MUST REMAIN WITHIN DIMENSIONS | | SIZE A3 | THIS DRAWING CONTAINS INFORMATION THAT IS PROPRIETARY TO MOLEX INCORPORATED AND SHOULD NOT BE USED WITHOUT WRITTEN PERMISSION | | |



適合FPC推奨寸法
APPLICABLE FPC
RECOMMENDED DIMENSION.
(仕上がり厚さ: 0.3^{+0.05})
(THICKNESS: 0.3^{+0.05})



適合FFC推奨寸法
APPLICABLE FFC
RECOMMENDED DIMENSION.
(仕上がり厚さ: 0.3^{+0.05})
(THICKNESS: 0.3^{+0.05})

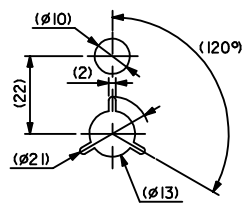
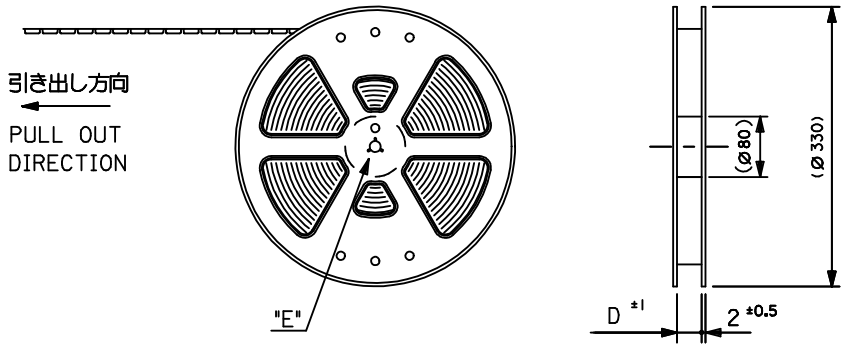


参考基板レイアウト
(マウント面)
RECOMMENDED P.C.BOARD
PATTERN DIMENSION (REF.)
(MOUNTING SIDE)

| | | | | | |
|------|------|-------|------|------------|----|
| 20.6 | 18.6 | 14.65 | 13.5 | 52435-2827 | 28 |
| 20.1 | 18.1 | 14.15 | 13.0 | -2727 | 27 |
| 18.6 | 16.6 | 12.65 | 11.5 | -2427 | 24 |
| 18.1 | 16.1 | 12.15 | 11.0 | -2327 | 23 |
| 17.6 | 15.6 | 11.65 | 10.5 | -2227 | 22 |
| 16.6 | 14.6 | 10.65 | 9.5 | -2027 | 20 |
| 16.1 | 14.1 | 10.15 | 9.0 | -1927 | 19 |
| 15.6 | 13.6 | 9.65 | 8.5 | -1827 | 18 |
| 15.1 | 13.1 | 9.15 | 8.0 | -1727 | 17 |
| 14.6 | 12.6 | 8.65 | 7.5 | -1627 | 16 |
| 14.1 | 12.1 | 8.15 | 7.0 | -1527 | 15 |
| 13.6 | 11.6 | 7.65 | 6.5 | -1427 | 14 |
| 13.1 | 11.1 | 7.15 | 6.0 | -1327 | 13 |
| 12.1 | 10.1 | 6.15 | 5.0 | -1127 | 11 |
| 11.6 | 9.6 | 5.65 | 4.5 | -1027 | 10 |
| 11.1 | 9.1 | 5.15 | 4.0 | -0927 | 9 |
| 10.6 | 8.6 | 4.65 | 3.5 | -0827 | 8 |
| 10.1 | 8.1 | 4.15 | 3.0 | -0727 | 7 |
| 9.6 | 7.6 | 3.65 | 2.5 | 52435-0627 | 6 |

MODEL NO. 52435-***27 D C B (A) MATERIAL NO. 極数

| | | | | | | | |
|--|--|---|----------------------------|-----------|---|------------------------|---------------------------|
| REVISED EC NO: J2015-0014 DRWN: YOSHII 2014/07/08 CHKD: YKOBAYASHI 2014/07/08 APPR: YNOGAWA 2014/07/17 | GENERAL TOLERANCES (UNLESS SPECIFIED) | | DIMENSION STYLE MM ONLY | | SCALE --- | DESIGN UNITS METRIC | THIRD ANGLE PROJECTION |
| | 10 UNDER | ±0.2 | DRAWN BY | DATE | TITLE | | |
| | 10 OVER 30 UNDER | ±0.25 | SKAJINUMA | 91/10/31 | 0.5 FPC CONN ZIF FOR SMT R/A (UPPER CONTACT) | | |
| | 30 OVER | ±0.3 | CHECKED BY | DATE | | | |
| ANGULAR | ±3 ° | MFUKUSHIMA | 97/07/15 | | | | |
| DRAFT WHERE APPLICABLE MUST REMAIN WITHIN DIMENSIONS | | APPROVED BY | DATE | | | | DOCUMENT NO. |
| | | MFUKUSHIMA | 97/07/15 | SEE CHART | | SD-52435-018 | 2 OF 2 |
| | | MATERIAL NO. THIS DRAWING CONTAINS INFORMATION THAT IS PROPRIETARY TO MOLEX INCORPORATED AND SHOULD NOT BE USED WITHOUT WRITTEN PERMISSION | | | | | |

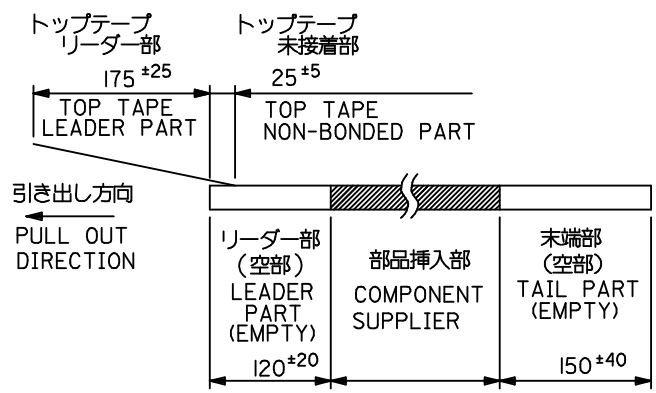


DETAIL "E"

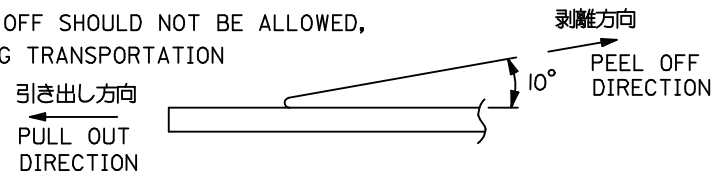
5. 材料 (MATERIAL)
- キャリアテープ (CARRIER TAPE): ポリプロピレン (POLYPROPYLENE)
- トップテープ (TOPTAPE): PET, PE, PEF
- リール (REEL): ポリスチレン (PS) <リサイクル材を含む>
POLYSTYREN (PS) <RECYCLE MATERIAL CONTAINED>

注記 NOTES

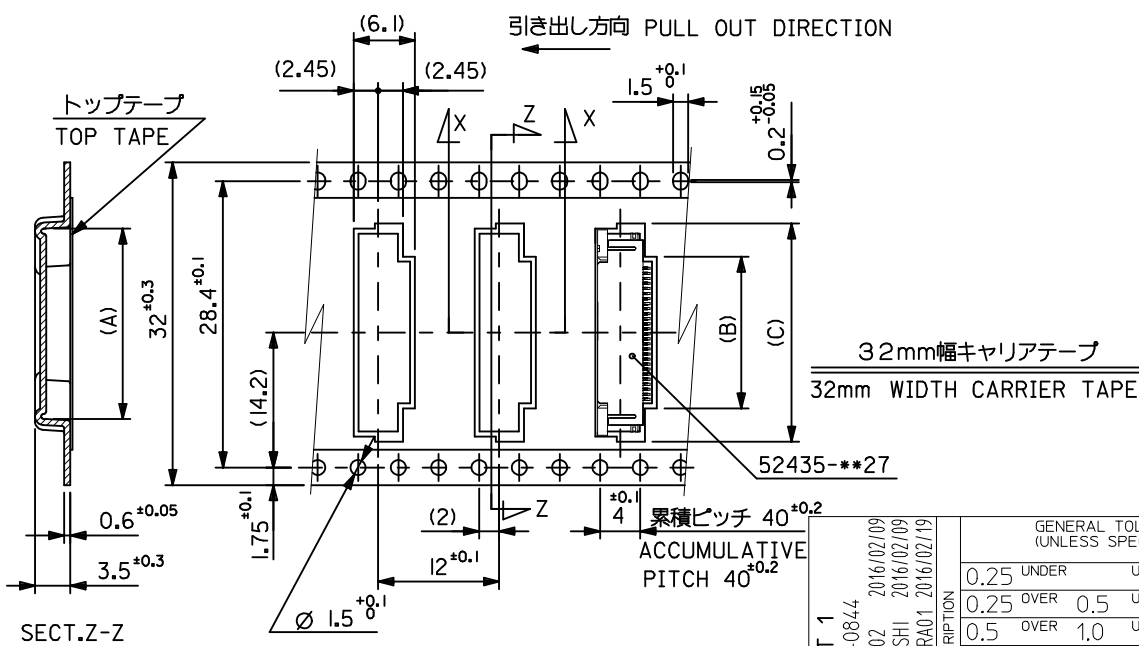
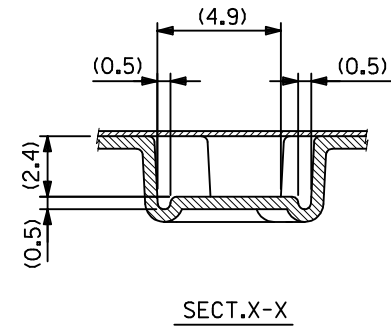
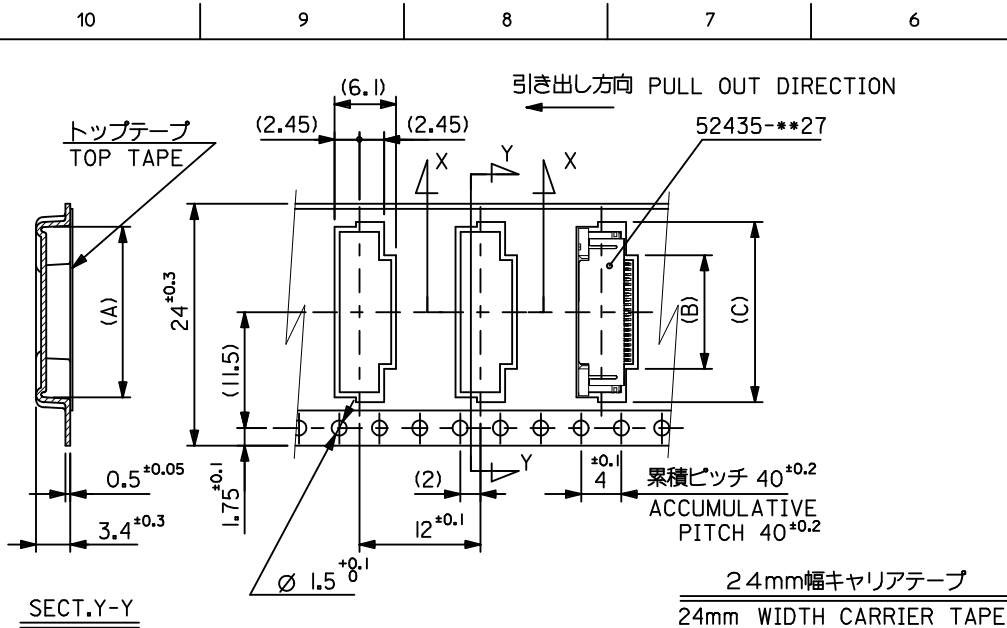
- 製品番号 52435-***27 の梱包状態はアクチュエータがロックした状態とする。
詳細寸法については図面 SD-52435-018 を参照下さい。
IN THE PACKAGE, ACTUATOR OF PART NO. 52435-***27 SHOULD BE LOCKED RE DETAILED DIMENSIONS, SEE SD-52435-018
- 梱包数量: 1000個/リール
NUMBER OF CONNECTORS: 1000PCS/REEL
- リードテープ長さ LEAD TAPE LENGTH



- トップテープの剥離強度: (剥離方向は下図参照)
0.1N~0.7N (10.2gf~71.4gf) 尚、本規格値は、出荷時に適用。
(但し、輸送時に剥離が発生しない事。)
PEELING OFF FORCE OF TOP TAPE
0.1N~0.7N(10.2gf~71.4gf)(PEELING DIRECTION AS SHOWN IN FOLLOWING FIG.)
THIS REQUIREMENT SHOULD BE APPLIED AT SHIPMENT
PEEL OFF SHOULD NOT BE ALLOWED,
DURING TRANSPORTATION

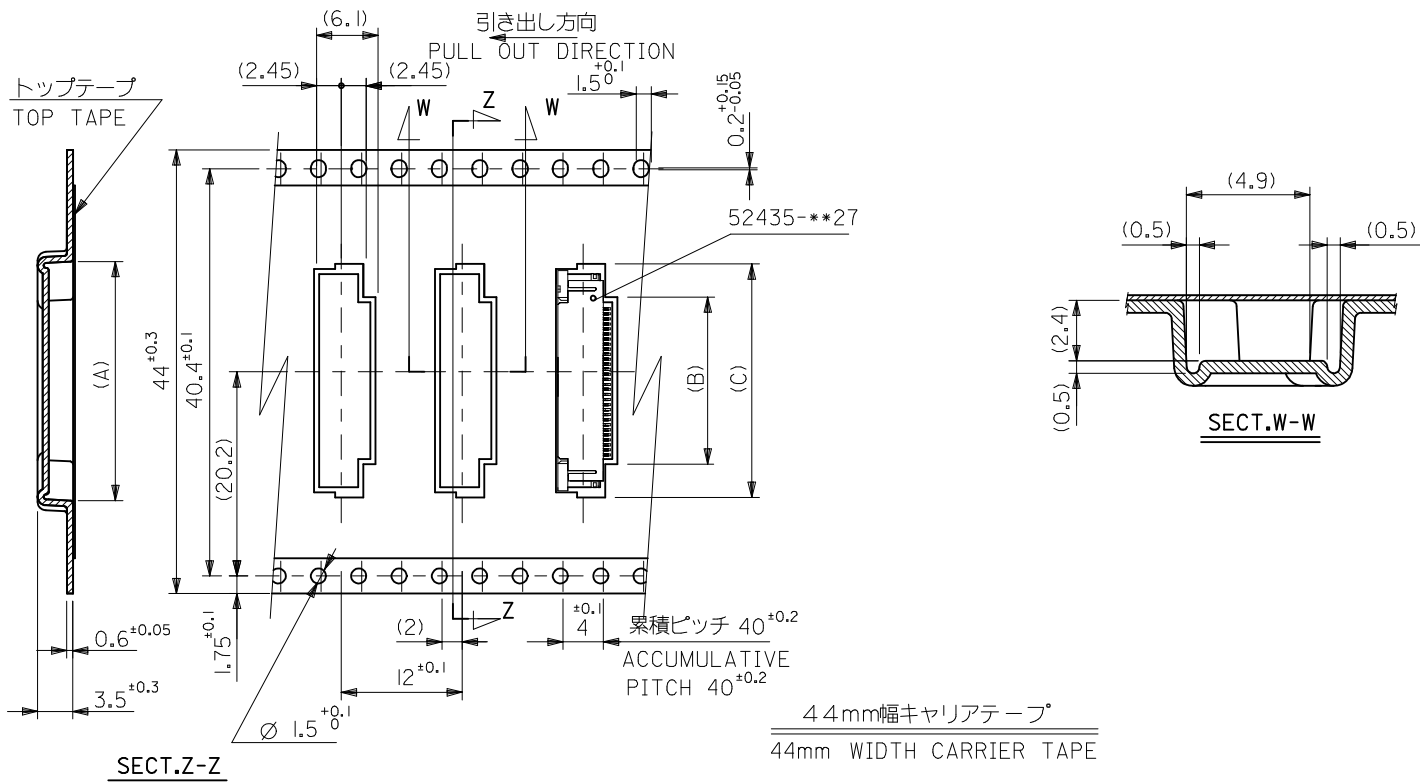


| | | | | | | | | | |
|---|--------------------|---------------------------------------|---------------|------------|---|--------------|---------------------------------------|------------------------|------------------------|
| REVISED EC NO: J2016-0844 DRWN: YMIZUNO02 2016/02/09 CHKD: TAKAHASHI 2016/02/09 APPR: KUSUHARA01 2016/02/19 | DESCRIPTION REV | GENERAL TOLERANCES (UNLESS SPECIFIED) | | | DIMENSION STYLE MM ONLY | | SCALE --- | DESIGN UNITS METRIC | THIRD ANGLE PROJECTION |
| | | 0.25 UNDER | UNDER | ± 0.03 | DRAWN BY | DATE | TITLE | | |
| | | 0.25 OVER | 0.5 UNDER | ± 0.05 | TMORISHITA | 2013/08/01 | EMBOSSED TAPE PACKAGE FOR 52435-***27 | | |
| | | 0.5 OVER | 1.0 UNDER | ± 0.1 | CHECKED BY | DATE | SHEET 1 OF 3 | | |
| | | 1.0 OVER | 10 UNDER | --- | KTAKAHASHI | 2013/08/01 | molex | | |
| | | 10 OVER | 30 UNDER | --- | APPROVED BY | DATE | | | |
| 30 OVER | | \pm --- | YNOGAWA | 2013/09/09 | MATERIAL NO. | DOCUMENT NO. | SHEET NO. | | |
| ANGULAR | \pm --- | ° | SEE SHEET 2-3 | | SD-52435-024 | | 1 OF 3 | | |
| DRAFT WHERE APPLICABLE MUST REMAIN WITHIN DIMENSIONS | | | | SIZE A3 | THIS DRAWING CONTAINS INFORMATION THAT IS PROPRIETARY TO MOLEX ELECTRONIC TECHNOLOGIES, LLC AND SHOULD NOT BE USED WITHOUT WRITTEN PERMISSION | | | | |



| | | | | | | |
|------|------|------|------------|------|------------|----|
| 32 | 33.5 | 21.9 | 15.3 | 20.9 | 52435-2891 | 28 |
| | | 21.4 | 14.8 | 20.4 | -2791 | 27 |
| | | 19.9 | 13.3 | 18.9 | -2491 | 24 |
| | | 19.4 | 12.8 | 18.4 | -2391 | 23 |
| | | 18.9 | 12.3 | 17.9 | -2291 | 22 |
| 24 | 25.5 | 17.9 | 11.3 | 16.9 | -2091 | 20 |
| | | 17.4 | 10.8 | 16.4 | -1991 | 19 |
| | | 16.9 | 10.3 | 15.9 | -1891 | 18 |
| | | 16.4 | 9.8 | 15.4 | -1791 | 17 |
| | | 15.4 | 8.8 | 14.4 | -1591 | 15 |
| | | 14.9 | 8.3 | 13.9 | -1491 | 14 |
| | | 14.4 | 7.8 | 13.4 | -1391 | 13 |
| | | 13.4 | 6.8 | 12.4 | -1191 | 11 |
| | | 12.9 | 6.3 | 11.9 | -1091 | 10 |
| | | 12.4 | 5.8 | 11.4 | -0991 | 9 |
| | | 11.9 | 5.3 | 10.9 | -0891 | 8 |
| | | 11.4 | 4.8 | 10.4 | -0791 | 7 |
| 10.9 | 4.3 | 9.9 | 52435-0691 | 6 | | |

| | | | | | |
|---|---------------------------------------|--------------------|---|--------------|--|
| SEE SHEET 1 EC NO: J2016-0844 DRWN: YMIZUNO02 2016/02/09 CHKD: TAKAHASHI 2016/02/09 APPR: KUSUHARA01 2016/02/19 | GENERAL TOLERANCES (UNLESS SPECIFIED) | DIMENSION STYLE | SCALE | DESIGN UNITS | TITLE EMBOSSED TAPE PACKAGE FOR 52435-**-27 SHEET 2 OF 3 molex DOCUMENT NO. SD-52435-024 SHEET NO. 2 OF 3 |
| | 0.25 UNDER UNDER ±0.03 | MM ONLY | --- | METRIC | |
| | 0.25 OVER 0.5 UNDER ±0.05 | DRAWN BY DATE | | | |
| | 0.5 OVER 1.0 UNDER ±0.1 | CHECKED BY DATE | TMORISHITA 2013/08/01 | | |
| | 1.0 OVER 10 UNDER ±--- | APPROVED BY DATE | KTAKAHASHI 2013/08/01 | | |
| 30 OVER 30 UNDER ±--- | APPROVED BY DATE | YNOGAWA 2013/09/09 | | | |
| ANGULAR ±--- ° | MATERIAL NO. | SEE CHART | | | |
| DRAFT WHERE APPLICABLE MUST REMAIN WITHIN DIMENSIONS | SIZE | A3 | THIS DRAWING CONTAINS INFORMATION THAT IS PROPRIETARY TO MOLEX ELECTRONIC TECHNOLOGIES, LLC AND SHOULD NOT BE USED WITHOUT WRITTEN PERMISSION | | |



| | | | | | | |
|--------------------------------|------|------|------|------|------------|---------------|
| 44 | 45.5 | 22.9 | 16.3 | 21.9 | 52435-3091 | 30 |
| キャリアテープ幅 CARRIER TAPE WIDTH | D | (C) | (B) | (A) | ENG. NO. | 極数 CIRCUIT |

| | | | | | | | |
|---|---------------------------------------|-----------|--|-------------|--------------|---|------------------------|
| SEE SHEET 1 EC NO: J2016-0844 DRWN: YMIZUNO02 2016/02/09 CHKD: KTAKAHASHI 2016/02/09 APPR: IKUSUHARA01 2016/02/19 | GENERAL TOLERANCES (UNLESS SPECIFIED) | | DIMENSION STYLE MM ONLY | | SCALE --- | DESIGN UNITS METRIC | THIRD ANGLE PROJECTION |
| | 0.25 UNDER | UNDER | ±0.03 | DRAWN BY | DATE | TITLE | |
| | 0.25 OVER | 0.5 UNDER | ±0.05 | TMORISHITA | 2013/08/01 | EMBOSSED TAPE PACKAGE FOR 52435-**27 SHEET 3 OF 3 | |
| | 0.5 OVER | 1.0 UNDER | ±0.1 | KTAKAHASHI | 2013/08/01 | molex | |
| | 1.0 OVER | 10 UNDER | ±--- | APPROVED BY | DATE | MATERIAL NO. | DOCUMENT NO. |
| 10 OVER | 30 UNDER | ±--- | YNOGAWA | 2013/09/09 | SEE CHART | SD-52435-024 | 3 OF 3 |
| 30 OVER | | ±--- | DRAFT WHERE APPLICABLE MUST REMAIN WITHIN DIMENSIONS | | SIZE A3 | THIS DRAWING CONTAINS INFORMATION THAT IS PROPRIETARY TO MOLEX ELECTRONIC TECHNOLOGIES, LLC AND SHOULD NOT BE USED WITHOUT WRITTEN PERMISSION | |
| ANGULAR | ±--- | ° | | | | | |