

MATERIALS AND FINISHES

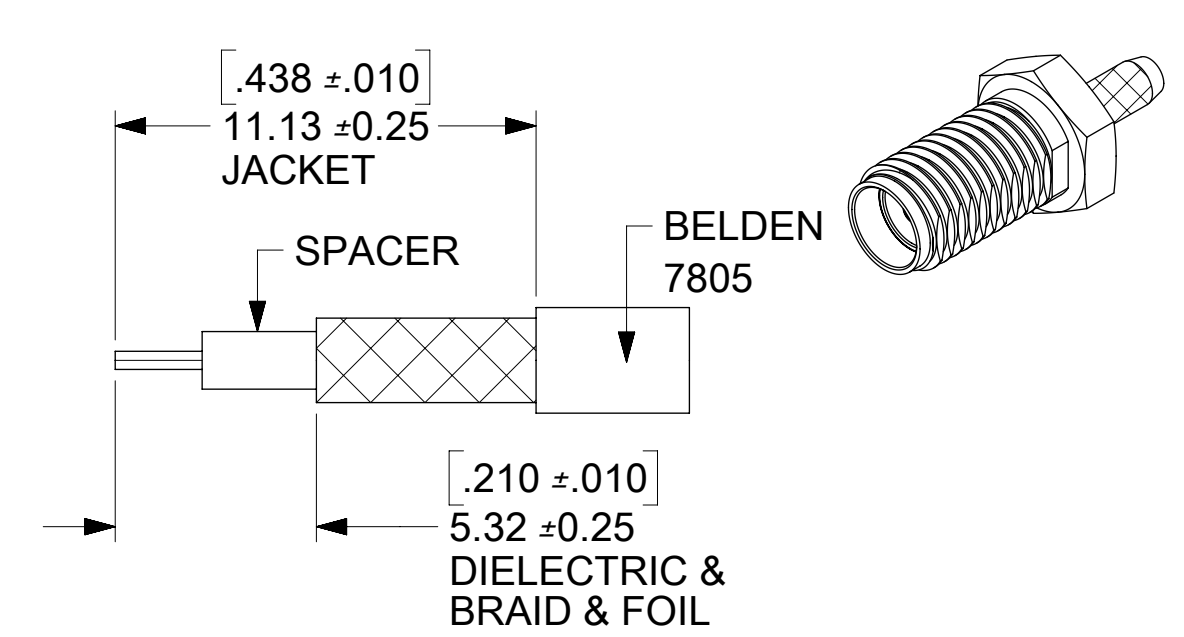
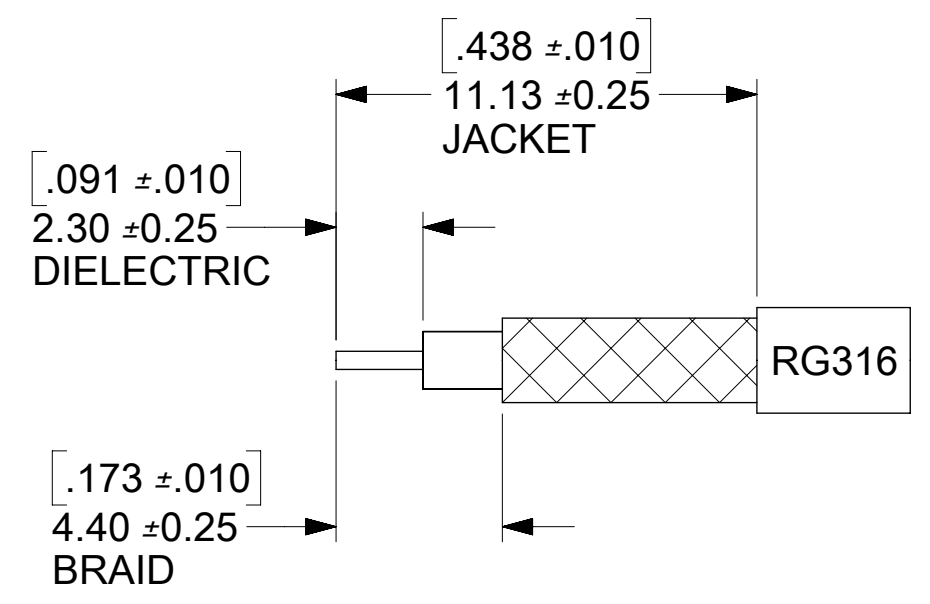
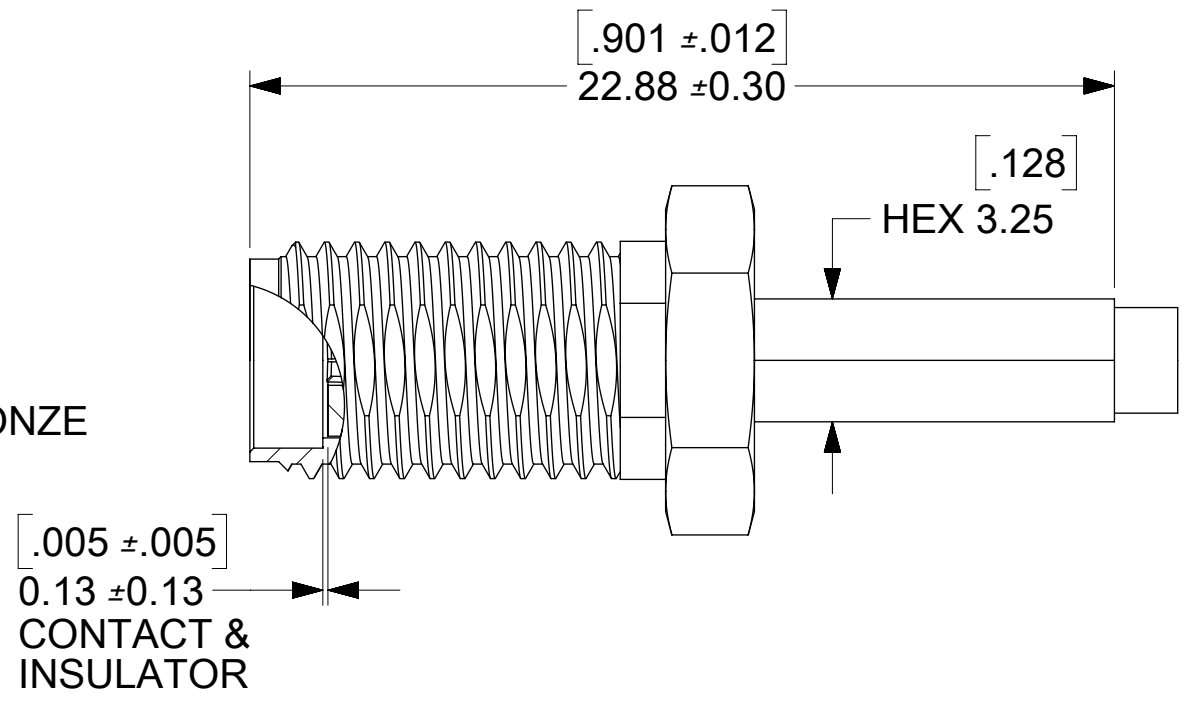
BODY, CRIMP TUBE: BRASS
PLATED SEE TABLE

CONTACT: BERYLLIUM COPPER
PLATED SEE TABLE

LOCK WASHER: PHOSPHOR BRONZE
PLATED SEE TABLE

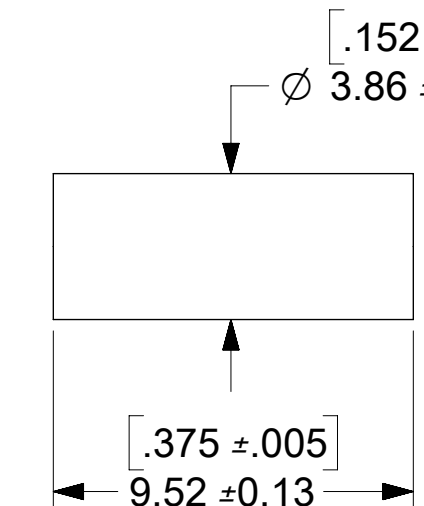
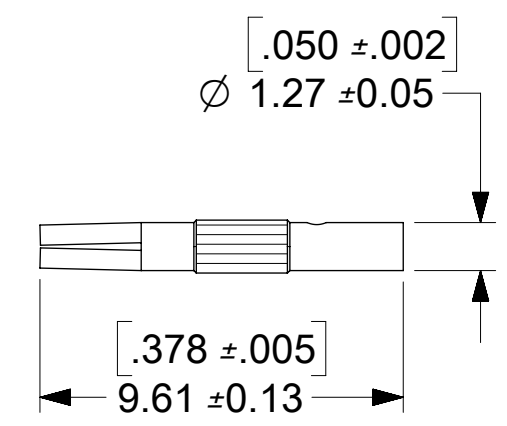
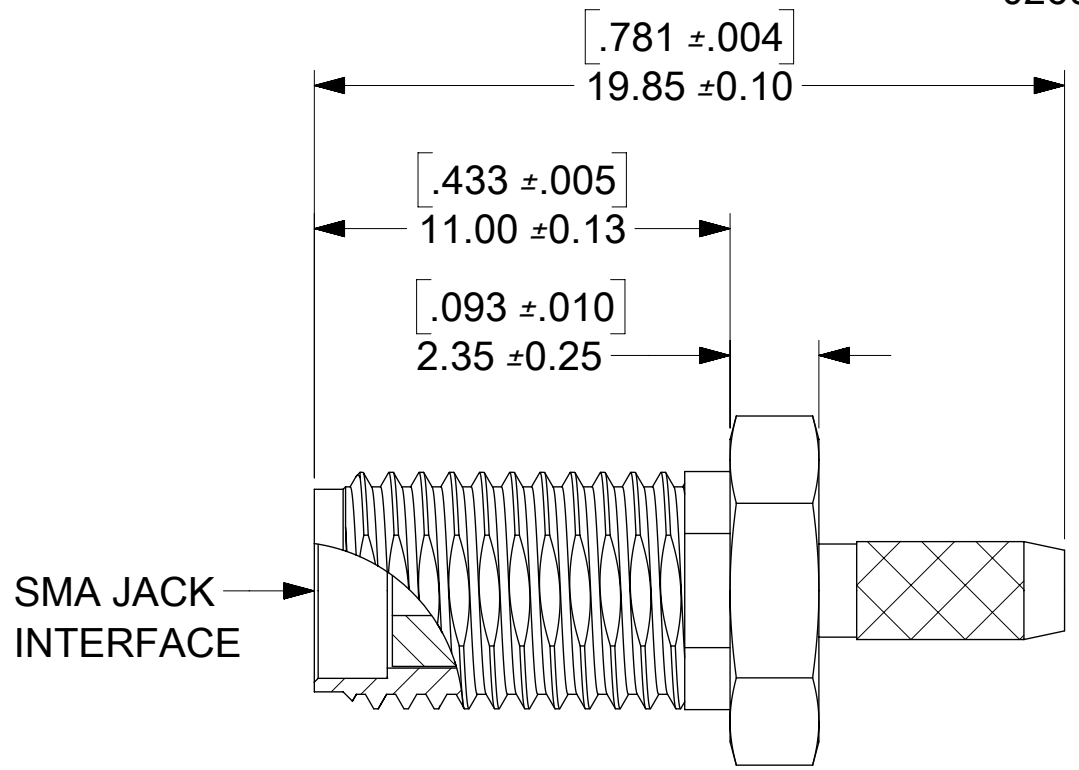
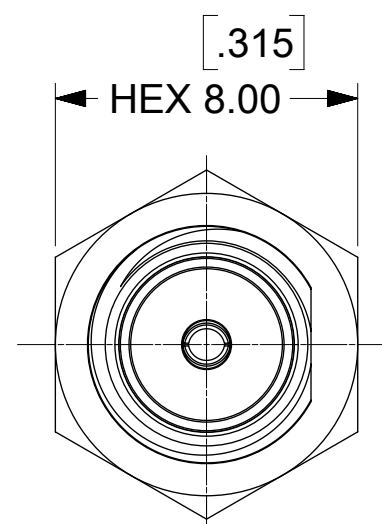
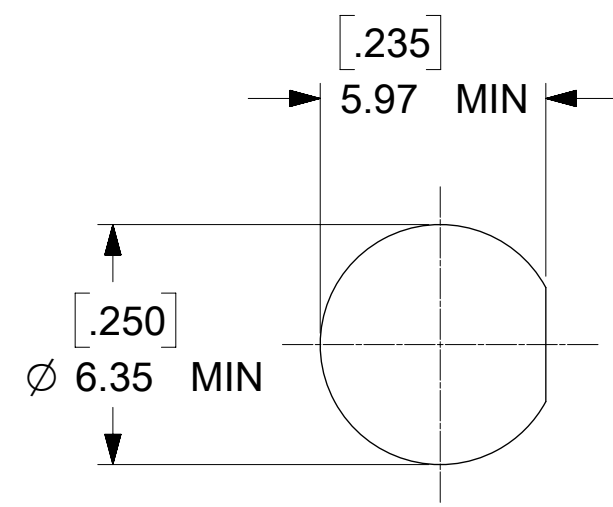
JAM NUT: BRASS
PLATED SEE TABLE

INSULATOR, SPACER: TEFLON



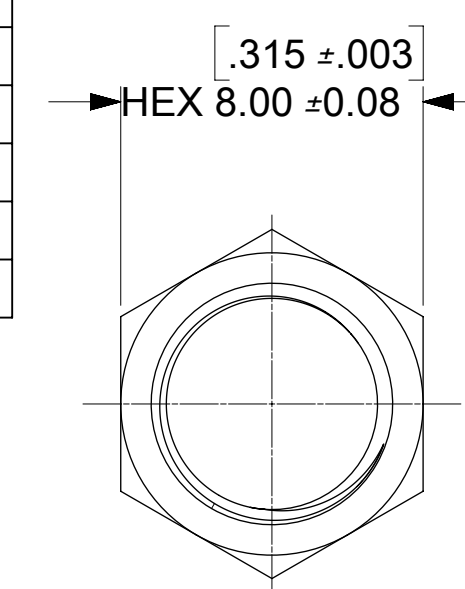
CABLE STRIPPING DIMENSIONS FOR -0260 THRU -0262 & -0264

CABLE STRIPPING DIMENSIONS FOR -0263 ONLT

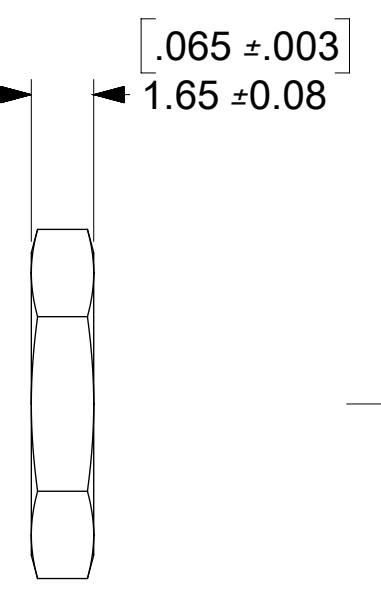


SPACER FOR -0263 ONLY

RECOMMENDED PANEL CUTOUT
MAX PANEL THICKNESS 3.18 (.125)



JAM NUT



LOCK WASHER

73391-0265	GOLD (30 MICRO-IN MIN)	GOLD (30 MICRO-IN MIN)	GOLD (30 MICRO-IN MIN)	GOLD (30 MICRO-IN MIN)	BAG
73391-0264	GOLD (FLASH)	GOLD (FLASH)	GOLD (FLASH)	GOLD (10 MICRO-IN MIN)	BAG
73391-0263	GOLD (10 MICRO-IN MIN)	GOLD (30 MICRO-IN MIN)	NOT INCLUDING	NOT INCLUDING	BAG
73391-0262	GOLD (10 MICRO-IN MIN)	GOLD (30 MICRO-IN MIN)	NOT INCLUDING	NOT INCLUDING	BAG
73391-0261	GOLD (FLASH)	GOLD (10 MICRO-IN MIN)	NOT INCLUDING	NOT INCLUDING	BAG
73391-0260	GOLD (FLASH)	GOLD (10 MICRO-IN MIN)	GOLD (FLASH)	GOLD (10 MICRO-IN MIN)	BAG
PART NO.	BODY/CRIMP TUBE	CONTACT	JAM NUT	LOCK WASHER	PACKAGING

REVISION HISTORY		
DATE	REV	DESCRIPTION
2001/6/14	A	NEW RELEASE
2007/4/9	A1	REDRAW IN SD & LOAD INTO WM
2007/7/6	A2	ADD -0261
2009/6/10	A3	ADD PANEL CUTOUT REMOVE REF FROM DIMENSIONS
2011/1/19	B	UPDATE VIEWS PER RF11-E048
2011/2/25	B1	CHANGE CRIMP TUBE 9.53 WAS 7.01 PER RF11-E057
2012/4/2	B2	ADD -0262 & PLATING THK & CABLE STRIP 11.13 WAS 10.50
2012/10/19	B3	ADD -0263 & PS-89675-346 WAS PS-73436-009
2012/10/23	B4	ADD TOLERANCE
2014/1/27	B5	ADD -0264 PER PDR14011525
2014/2/19	B6	ADD -0264 TO CABLE STRIP DIMENSIONS PER RF14-E090
2016/11/28	B7	ADD PACKAGING PER RF16-E190
2017/7/25	B8	ADD -0265 FOR 30u" Au SPEC

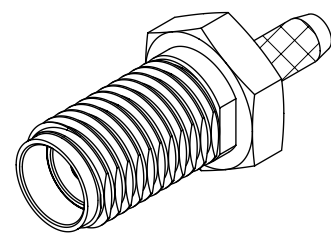
PS-89675-346	ELEC/MECH PERFORMANCE
SPECIFICATION	DESCRIPTION

THIS DRAWING CONTAINS INFORMATION THAT IS PROPRIETARY TO MOLEX ELECTRONIC TECHNOLOGIES, LLC AND SHOULD NOT BE USED WITHOUT WRITTEN PERMISSION

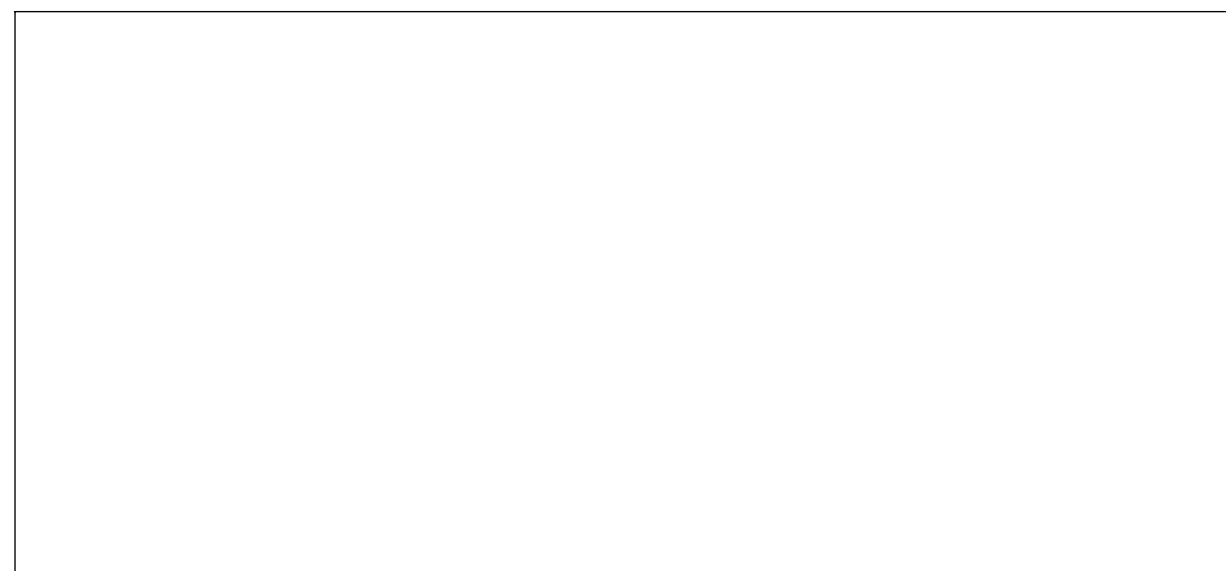
PDR17072447 EC NO: 120178 DRWN: JSU18 CHKD: YCHENG REV: APPR: YCHENG	2017/07/25	2017/08/10	GENERAL TOLERANCES (UNLESS SPECIFIED)	DIMENSION UNITS: MM	SCALE:
	ANGULAR TOL ± °		4 PLACES ±	DRWN BY: RYEH	DATE: 2014/02/19
	3 PLACES ±		2 PLACES ±	CHKD BY:	DATE:
	1 PLACE ±		0 PLACES ±	APPR BY: YCHENG	DATE: 2016/11/30
DRAFT WHERE APPLICABLE MUST REMAIN WITHIN DIMENSIONS			DRAWING SIZE: C	THIRD ANGLE PROJECTION	

SMA JACK STR BKHD RM FOR RG316/RG174 SMA-JC

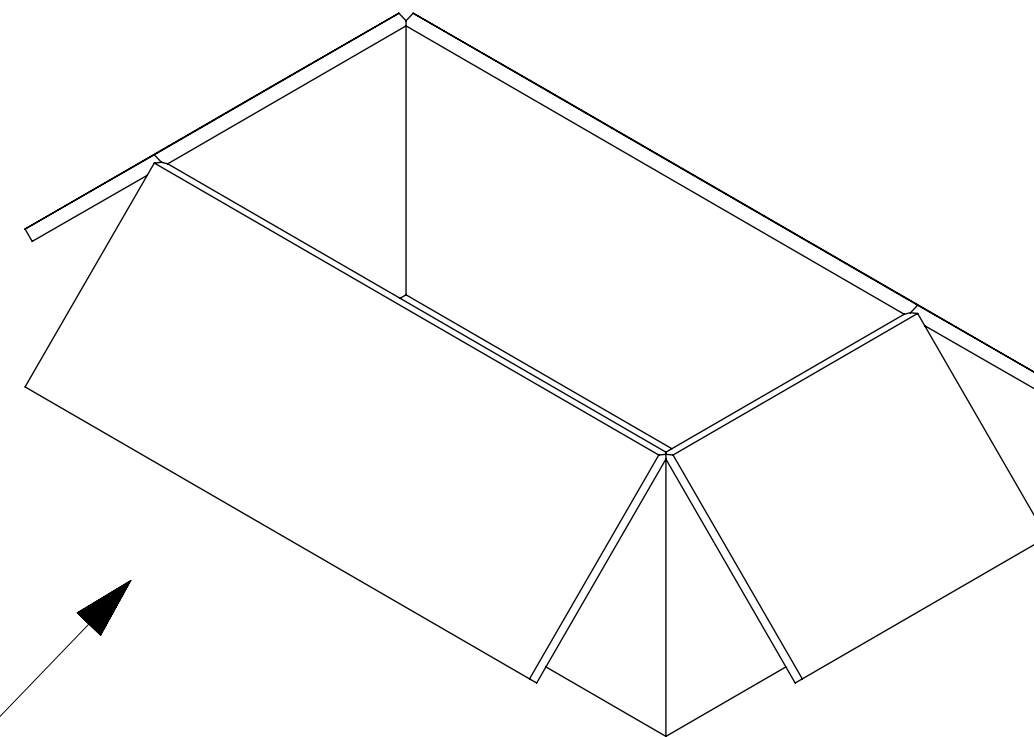
PRODUCT CUSTOMER DRAWING		
SERIES: 73391	MATERIAL NUMBER: SEE TABLE	CUSTOMER: GENERAL MARKET
DOCUMENT NUMBER: SD-73391-026	DOC TYPE: PSD	DOC PART: 000
		SHEET NUMBER: 1 OF 2



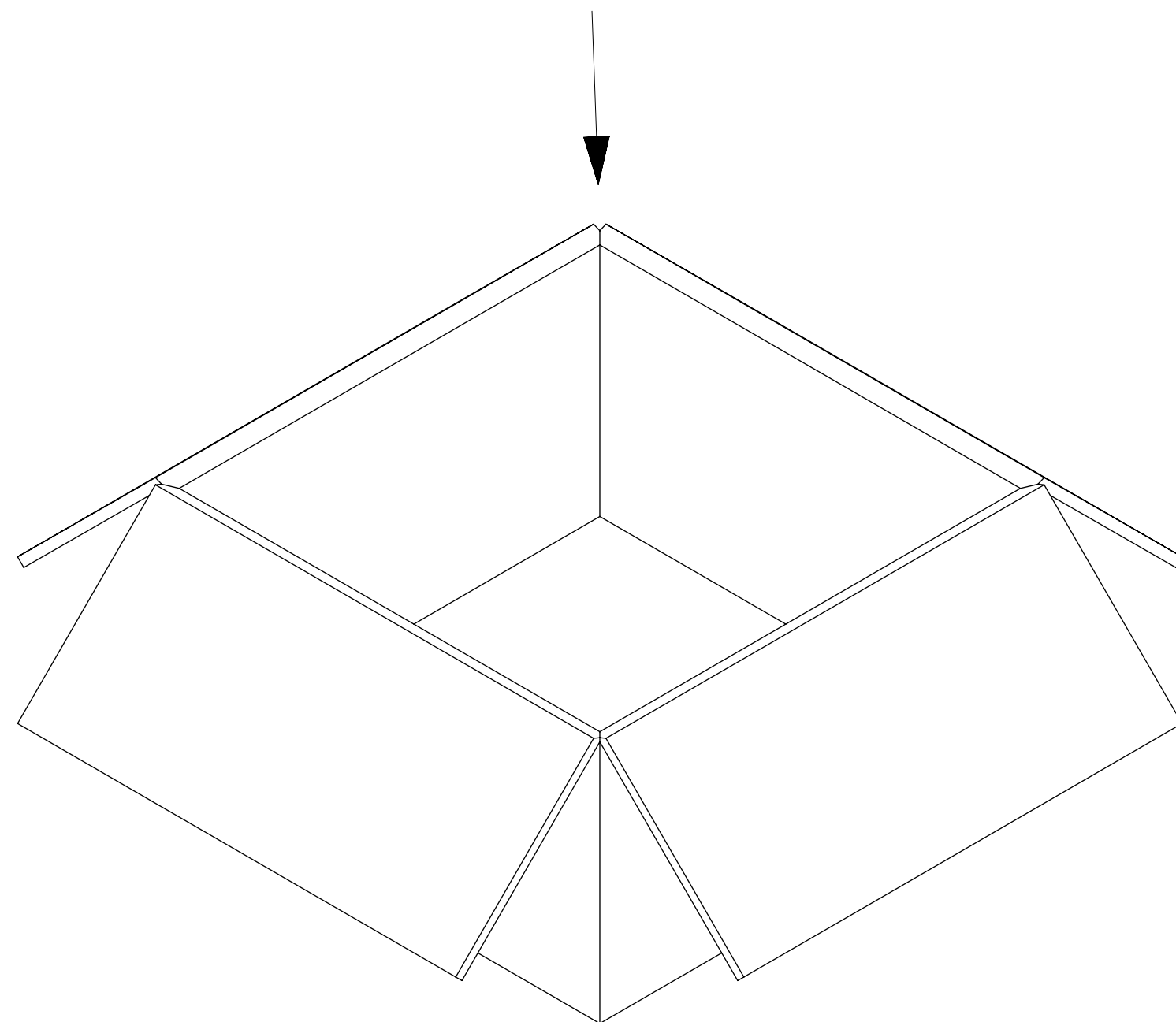
P/N: 73391-0260
 73391-0261
 73391-0262
 73391-0263
 73391-0264
 73391-0265



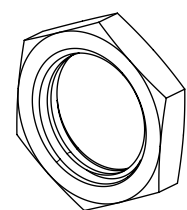
50 SET PER BAG
 P/N: 89707-0174



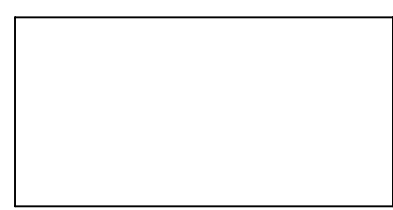
250 SET PER INNER
 CARTON BOX
 P/N: 89499-9026



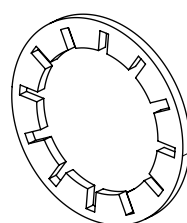
500 SET PER OUTER
 CARTON BOX
 P/N: 89499-9027



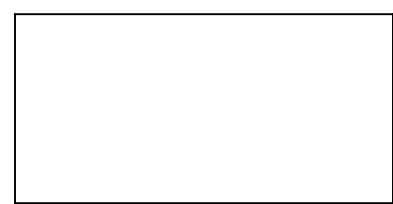
JAM NUT



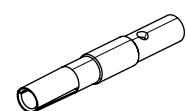
250 SET PER BAG



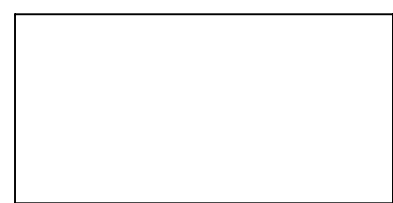
LOCK WASHER



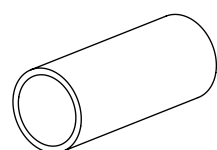
250 SET PER BAG



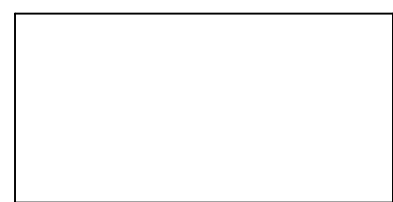
CONTACT



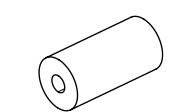
250 SET PER BAG



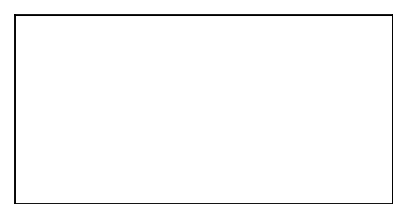
CRIMP TUBE



250 SET PER BAG



SPACER
 FOR -0263 ONLY



250 SET PER BAG

THIS DRAWING CONTAINS INFORMATION THAT IS PROPRIETARY TO MOLEX ELECTRONIC TECHNOLOGIES, LLC AND SHOULD NOT BE USED WITHOUT WRITTEN PERMISSION														
PDR17072447	EC NO: 120178 DRWN: JSU18	2017/07/25	CHKD: YCHENG	2017/08/10	GENERAL TOLERANCES (UNLESS SPECIFIED)		DIMENSION UNITS	SCALE	molex					
					ANGULAR TOL ± °		MM	1:1						
					4 PLACES ±	3 PLACES ±	DRWN BY	DATE	SMA JACK STR BKHD RM FOR RG316/RG174 SMA-JC					
					2 PLACES ±	1 PLACE ±	RYEH	2014/02/19						
					0 PLACES ±	DRAFT WHERE APPLICABLE MUST REMAIN WITHIN DIMENSIONS		CHK'D BY	DATE	PRODUCT CUSTOMER DRAWING				
					DRAFT WHERE APPLICABLE MUST REMAIN WITHIN DIMENSIONS		APPR BY	DATE						
B8	REV	APPR	YCHENG	2016/11/30	DRAWING SIZE	THIRD ANGLE PROJECTION	C	73391	GENERAL MARKET					
RELEASE STATUS		P1	RELEASE DATE	10.08.2017	10:56:28	DOCUMENT NUMBER		SD-73391-026	DOC TYPE	PSD	DOC PART	000	SHEET NUMBER	2 OF 2