

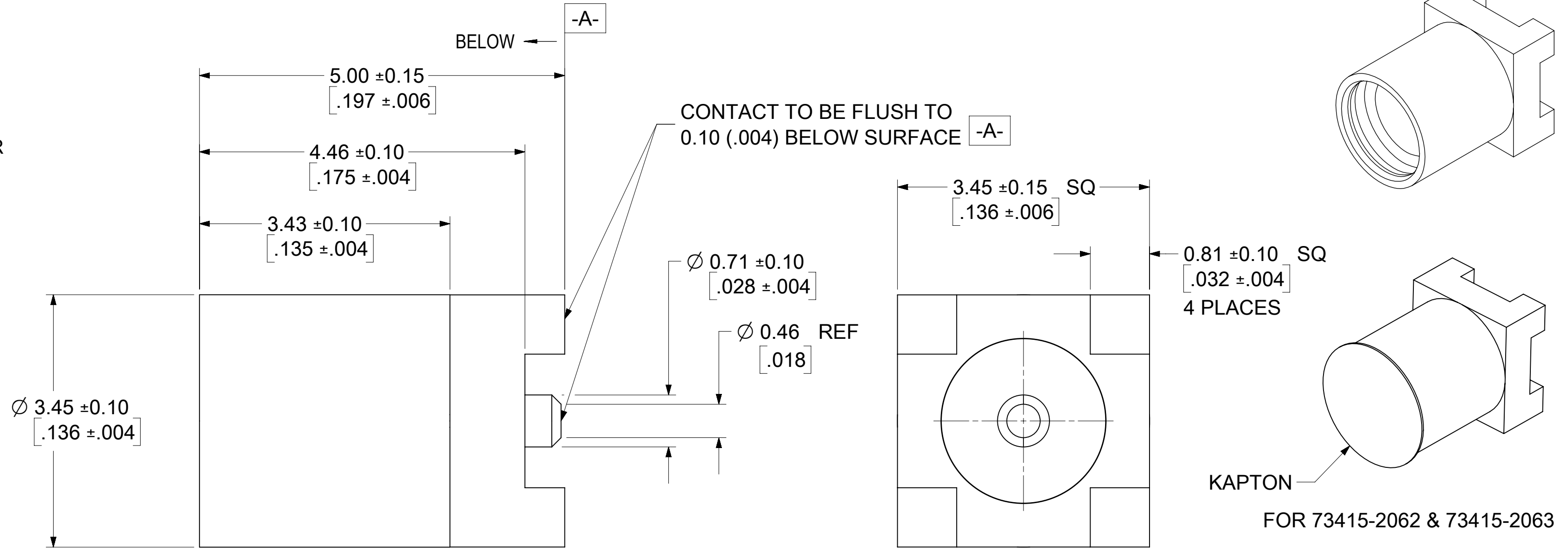
MATERIALS AND FINISHES

BODY BRASS
PLATED GOLD

CENTER CONTACT BERYLLIUM COPPER
PLATED GOLD

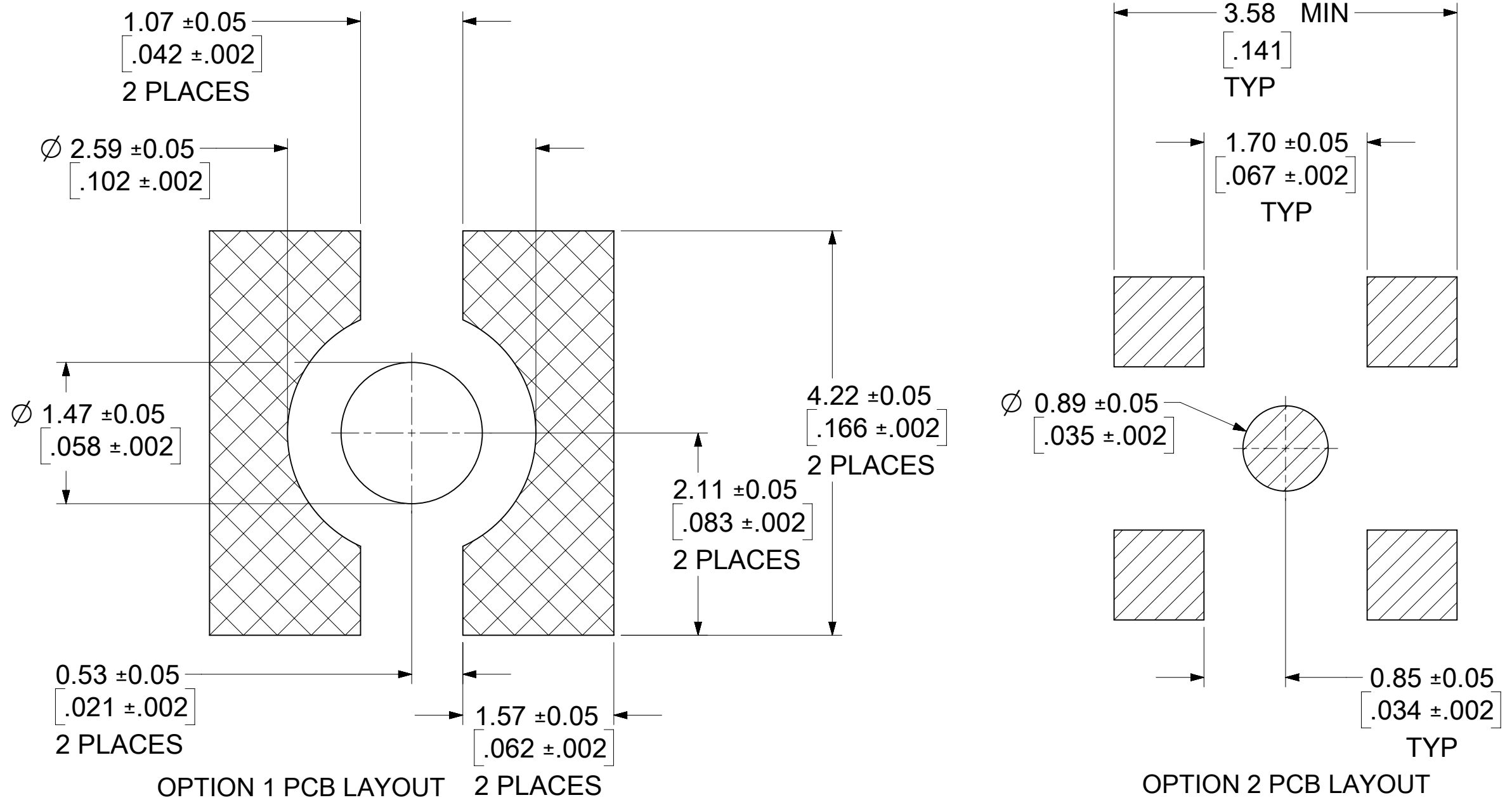
INSULATOR TEFLON

KAPTON
COLOR AMBER

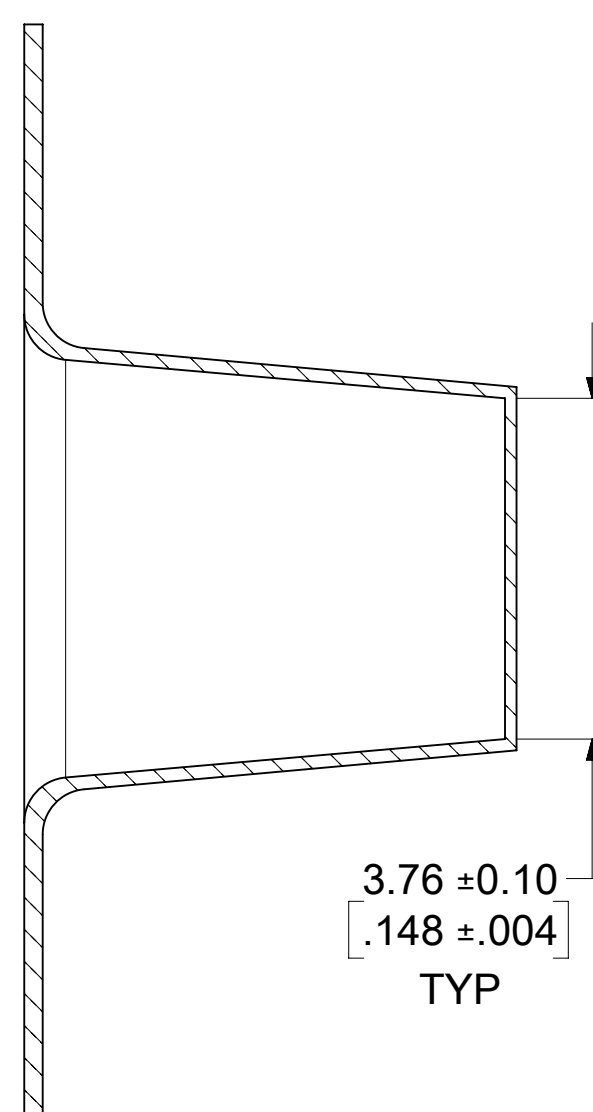
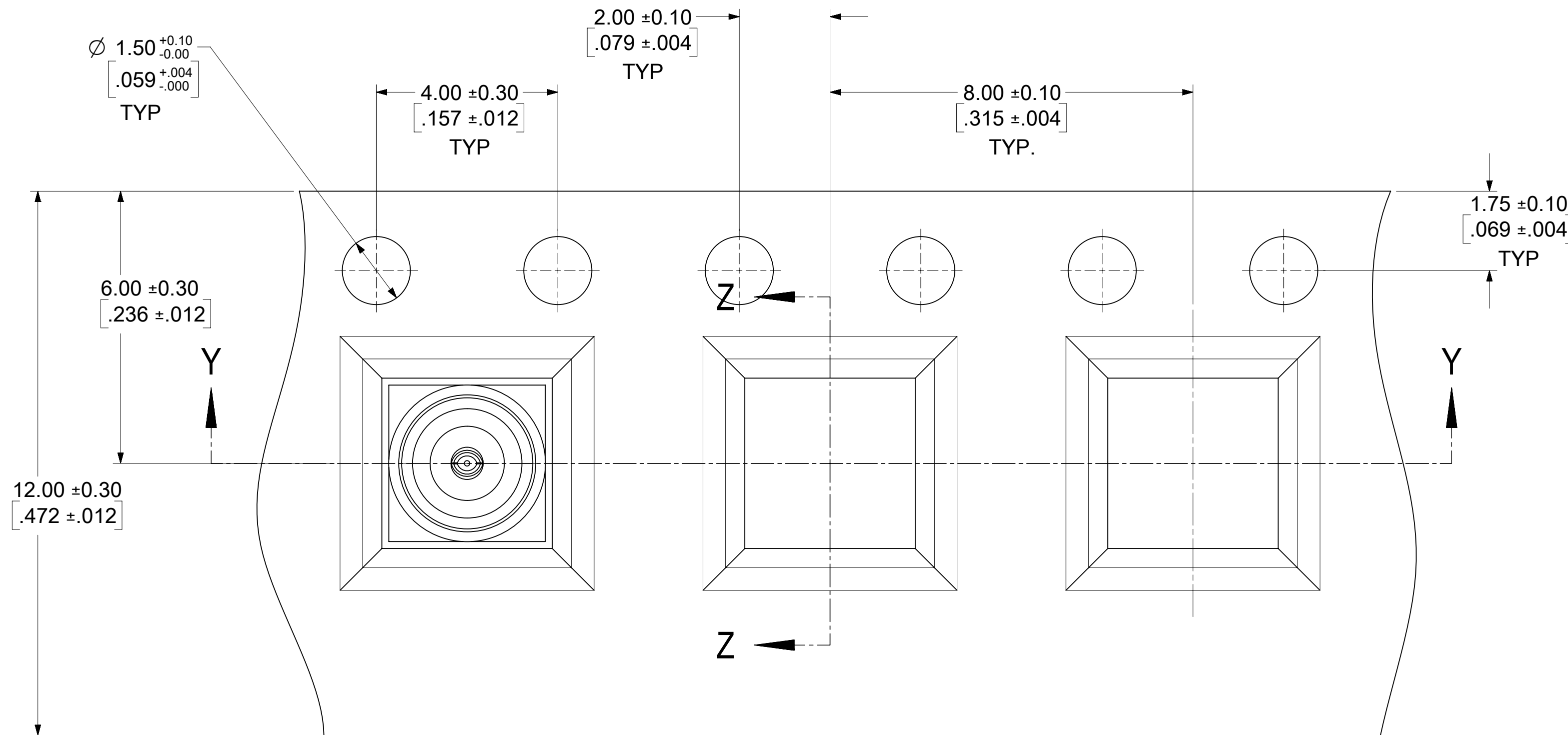


PS-89675-1920	ELECTRO/MECH PERFORM.
SPECIFICATION	DESCRIPTION

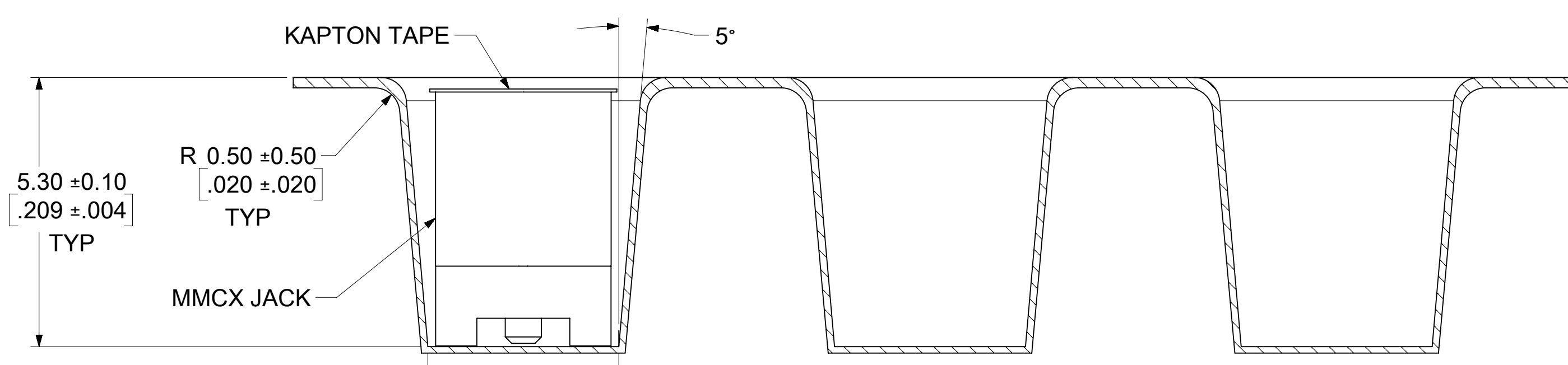
73415-2065	73415-2061 WITH TAPE & REEL WITHOUT KAPTON
73415-2064	73415-2061. ONE PER BAG
73415-2063	73415-2061 WITH TAPE & REEL/KAPTON
73415-2062	73415-2060 WITH TAPE & REEL/KAPTON
73415-2061	PER COMMERCIAL REQUIREMENTS, PACKING TRAY
73415-2060	PER MILITARY REQUIREMENTS, PACKING TRAY
PART NO.	PLATING



FUNCTIONAL SYMBOLS FA = 0 EC = 0 EP = 0 DIVISIONAL SYMBOLS 4 PLACES ± 3 PLACES ± 2 PLACES ± 1 PLACE ± 0 PLACES ±	THIS DRAWING CONTAINS INFORMATION THAT IS PROPRIETARY TO MOLEX ELECTRONIC TECHNOLOGIES, LLC AND SHOULD NOT BE USED WITHOUT WRITTEN PERMISSION		SCALE MM/INCH NTS		CURRENT REV DESC: EWR # 15708-A : ADDED PACKAGING SPEC FOR -2060 & -2061 PART NO					
	GENERAL TOLERANCES (UNLESS SPECIFIED) ANGULAR TOL ± 2.0°		EC NO: 740907 DRWN: JSU18 CHK'D: YCHENG APPR: YCHENG		2023/03/02 2023/03/16 2023/03/16				MMX JACK, VERTICAL PCB/SMT 50 OHMS MMX-J/PCB	
	DRAFT WHERE APPLICABLE MUST REMAIN WITHIN DIMENSIONS		THIRD ANGLE PROJECTION		DRAWING SERIES C-SIZE 73415		PRODUCT CUSTOMER DRAWING DOCUMENT NUMBER SD-73415-206		DOC TYPE DOC PART REVISION PSD 001 B2	
	MATERIAL NUMBER GENERAL MARKET		CUSTOMER 1 OF 5		SHEET NUMBER		1 OF 5		1 OF 5	



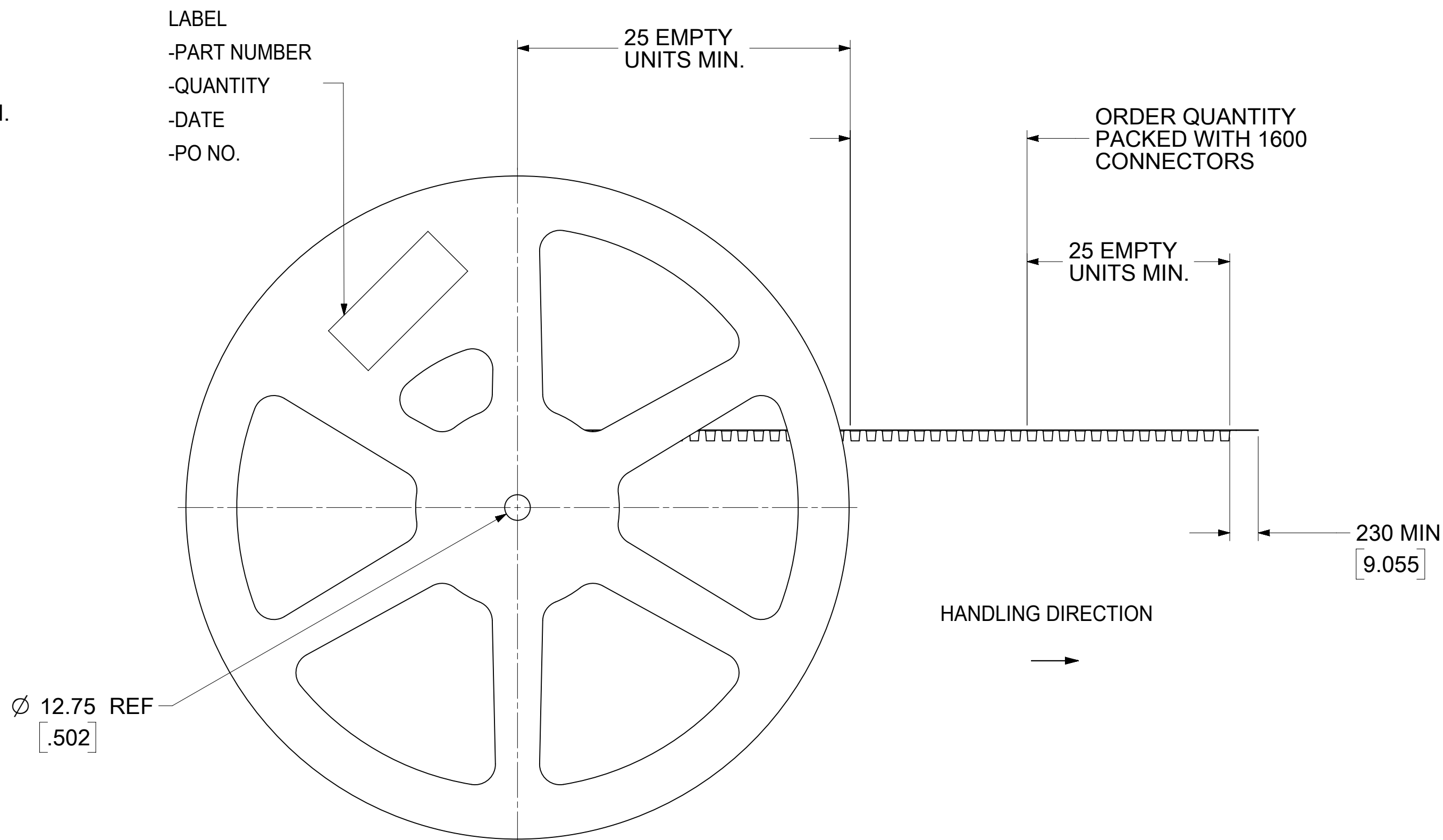
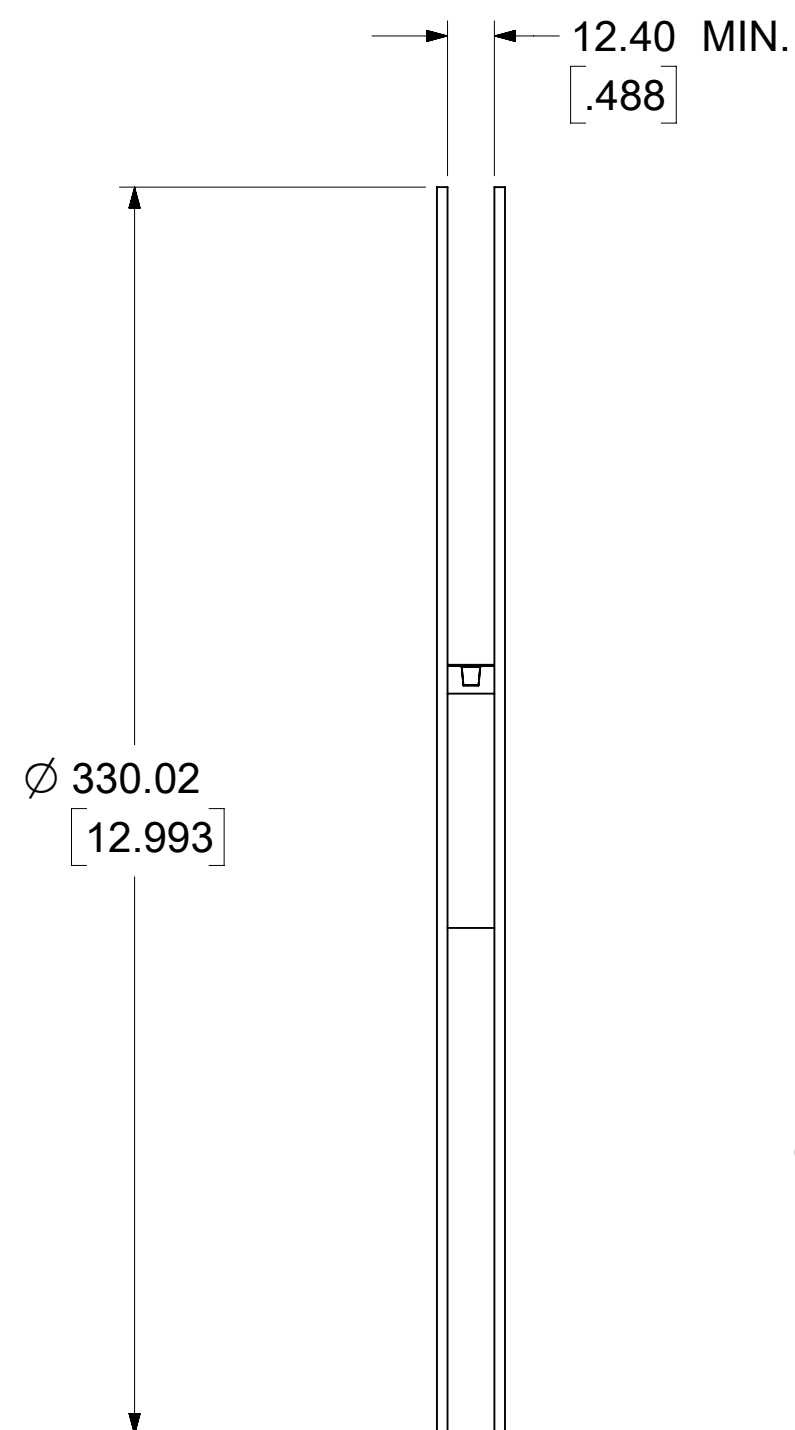
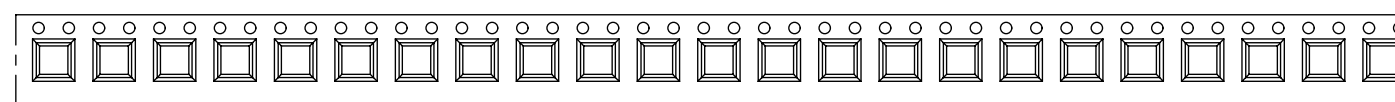
SECTION Z-Z



SECTION Y-Y

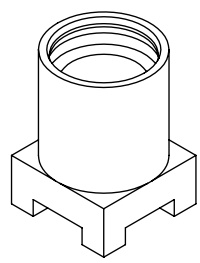
FUNCTIONAL SYMBOLS $\nabla_A = 0$ $\nabla_C = 0$ $\nabla_P = 0$	THIS DRAWING CONTAINS INFORMATION THAT IS PROPRIETARY TO MOLEX ELECTRONIC TECHNOLOGIES, LLC AND SHOULD NOT BE USED WITHOUT WRITTEN PERMISSION		CURRENT REV DESC: EWR # 15708-A : ADDED PACKAGING SPEC FOR -2060 & -2061 PART NO	
	DIMENSION UNITS	SCALE		
	MM/INCH	NTS		
	GENERAL TOLERANCES (UNLESS SPECIFIED)			
ANGULAR TOL ± 2.0°				
4 PLACES ±		EC NO: 740907		
3 PLACES ±		DRWN: JSU18 2023/03/02		
2 PLACES ±		CHK'D: YCHENG 2023/03/16		
1 PLACE ±		APPR: YCHENG 2023/03/16		
0 PLACES ±		INITIAL REVISION:		
DRAFT WHERE APPLICABLE MUST REMAIN WITHIN DIMENSIONS		DRWN: TFLAHERTY 2006/02/09		
THIRD ANGLE PROJECTION		APPR: JWIENER 2006/02/09		
DRAWING		SERIES		
C-SIZE		73415		
DOCUMENT NUMBER		DOC TYPE DOC PART REVISION		
SD-73415-206		PSD 001 B2		
MATERIAL NUMBER		CUSTOMER		
GENERAL MARKET		SHEET NUMBER		
		2 OF 5		

NOTE:
13" REEL SIZE FOR 1600 PIECES

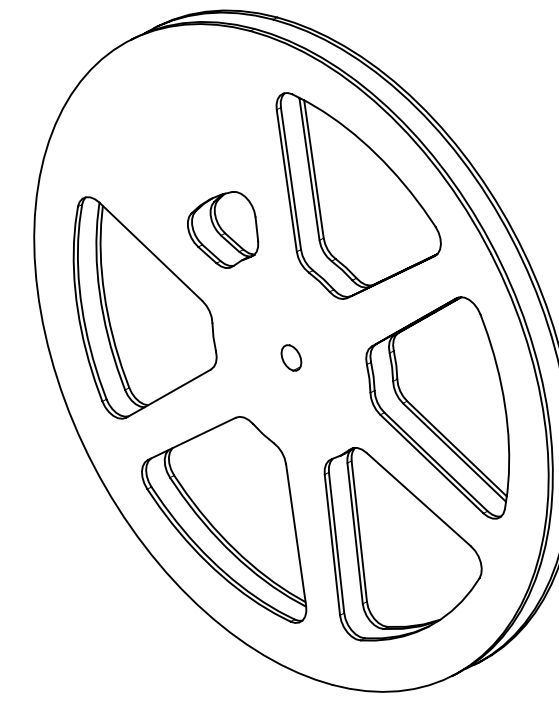
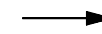
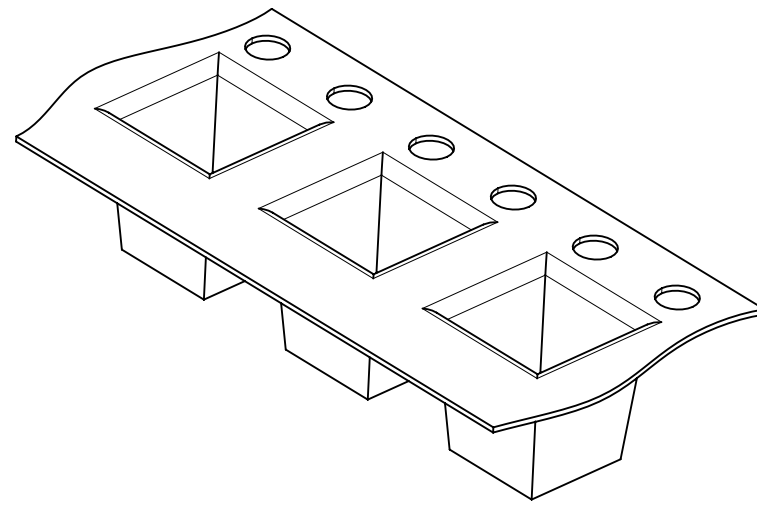
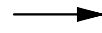


THIS DRAWING CONTAINS INFORMATION THAT IS PROPRIETARY TO MOLEX ELECTRONIC TECHNOLOGIES, LLC AND SHOULD NOT BE USED WITHOUT WRITTEN PERMISSION									
FUNCTIONAL SYMBOLS	DIMENSION UNITS	SCALE	CURRENT REV DESC: EWR # 15708-A : ADDED PACKAGING SPEC FOR -2060 & -2061 PART NO						
$\nabla_A = 0$	MM/INCH	NTS	molex MMCX JACK, VERTICAL PCB/SMT 50 OHMS MMCX-J/PCB PRODUCT CUSTOMER DRAWING						
$\nabla_C = 0$	GENERAL TOLERANCES (UNLESS SPECIFIED)								
$\nabla_P = 0$	ANGULAR TOL $\pm 2.0^\circ$								
DIVISIONAL SYMBOLS	4 PLACES	\pm	EC NO: 740907	2023/03/02	DOCUMENT NUMBER: SD-73415-206 DOC TYPE: PSD DOC PART: 001 REVISION: B2				
	3 PLACES	\pm	DRWN: JSU18	2023/03/16					
	2 PLACES	\pm	CHK'D: YCHENG	2023/03/16					
	1 PLACE	\pm	APPR: YCHENG	2023/03/16	INITIAL REVISION: DRWN: TFLAHERTY 2006/02/09 APPR: JWIENER 2006/02/09				
	0 PLACES	\pm	THIRD ANGLE PROJECTION						
	DRAFT WHERE APPLICABLE MUST REMAIN WITHIN DIMENSIONS		DRAWING	SERIES					
				C-SIZE	73415	MATERIAL NUMBER		CUSTOMER	SHEET NUMBER
						GENERAL MARKET		3 OF 5	

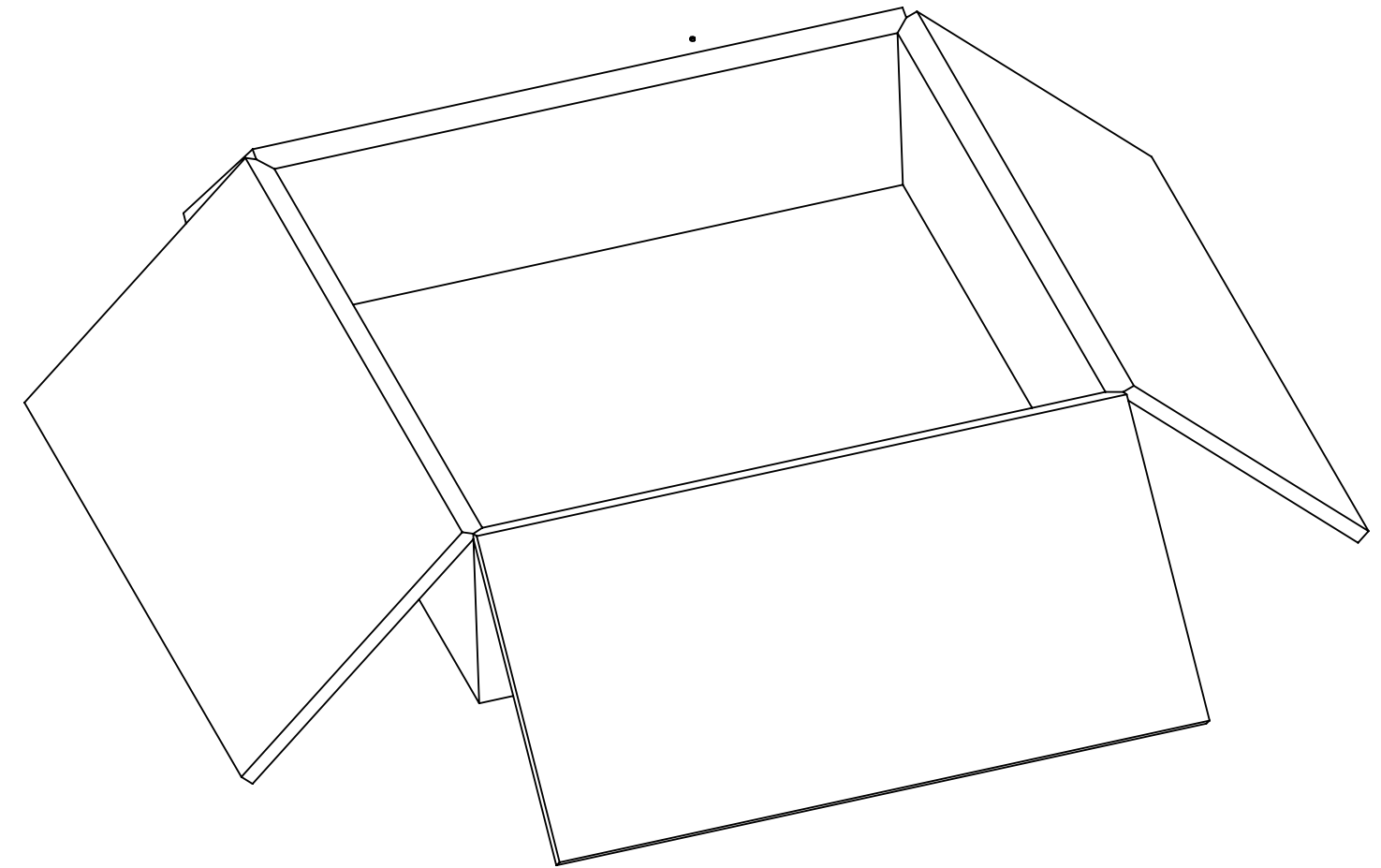
DOCUMENT STATUS	P1	RELEASE DATE	2023/03/16	04:28:02
-----------------	----	--------------	------------	----------



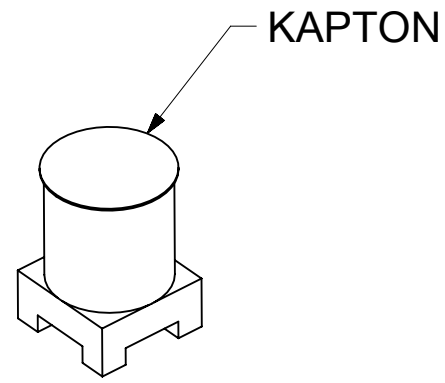
PART NO. 73415-2065



1600 SET PER 13" REEL



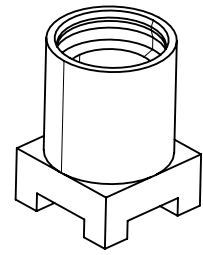
8000 CONNECTORS PER
OUTER CARTON BOX
339 X 339 X 100 REF.



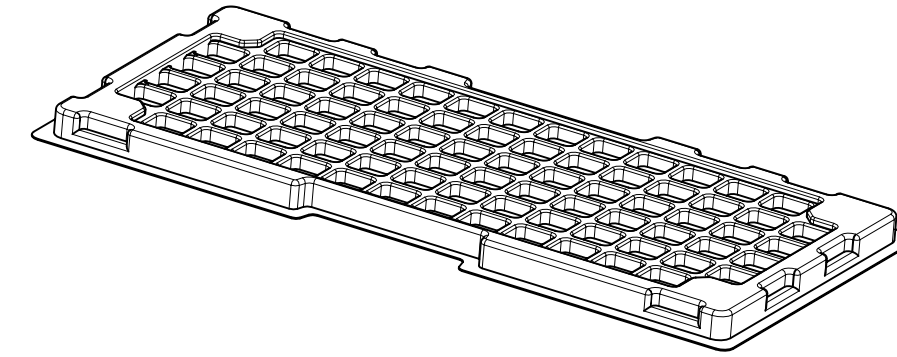
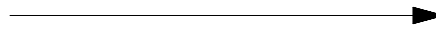
PART NO 73415-2062
PART NO 73415-2063

FUNCTIONAL SYMBOLS	THIS DRAWING CONTAINS INFORMATION THAT IS PROPRIETARY TO MOLEX ELECTRONIC TECHNOLOGIES, LLC AND SHOULD NOT BE USED WITHOUT WRITTEN PERMISSION									
	DIMENSION UNITS	SCALE	CURRENT REV DESC: EWR # 15708-A : ADDED PACKAGING SPEC FOR -2060 & -2061 PART NO							
$\frac{F}{A} = 0$	MM/INCH	NTS	GENERAL TOLERANCES (UNLESS SPECIFIED)		EC NO: 740907					MMCX JACK, VERTICAL PCB/SMT 50 OHMS MMCX-J/PCB
$\frac{F}{C} = 0$			ANGULAR TOL $\pm 2.0^\circ$		DRWN: JSU18 2023/03/02					
$\frac{F}{P} = 0$			4 PLACES \pm		CHK'D: YCHENG 2023/03/16					
DIVISIONAL SYMBOLS			3 PLACES \pm		APPR: YCHENG 2023/03/16					PRODUCT CUSTOMER DRAWING
			2 PLACES \pm		INITIAL REVISION:					
			1 PLACE \pm		DRWN: TFLAHERTY 2006/02/09					DOCUMENT NUMBER SD-73415-206
			0 PLACES \pm		APPR: JWIENER 2006/02/09					
		DRAFT WHERE APPLICABLE MUST REMAIN WITHIN DIMENSIONS		THIRD ANGLE PROJECTION 		DRAWING C-SIZE		SERIES 73415		DOC PART 001
								MATERIAL NUMBER GENERAL MARKET		REVISION B2
								CUSTOMER GENERAL MARKET		SHEET NUMBER 4 OF 5

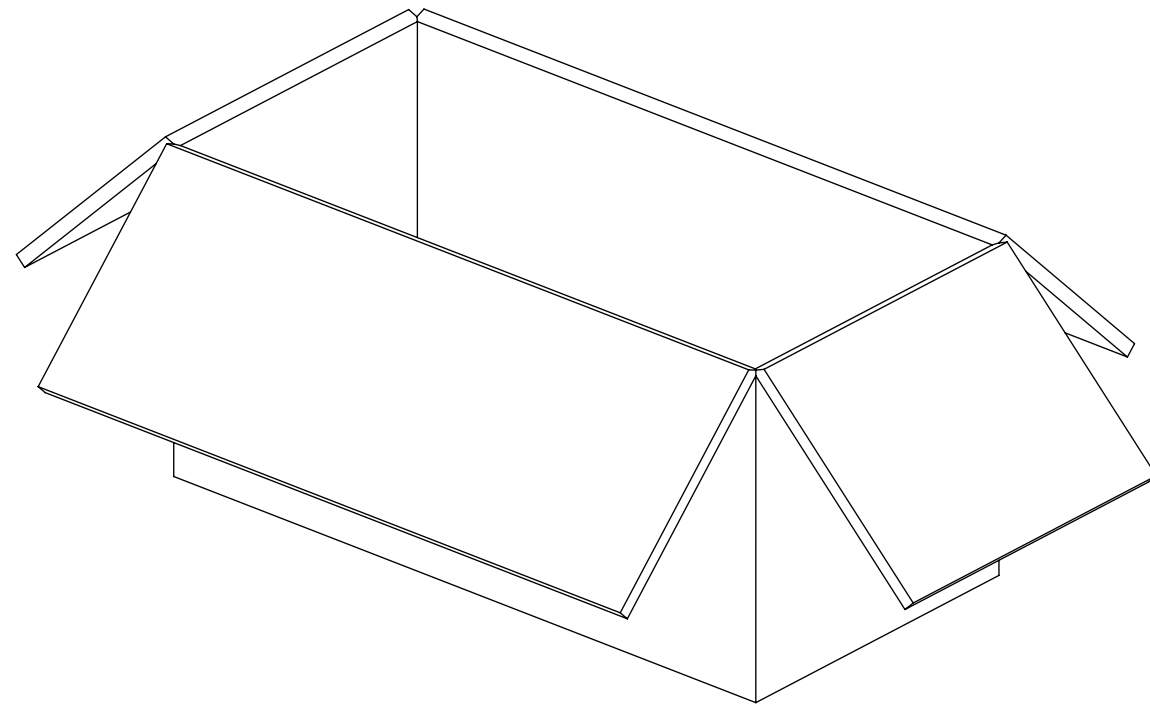
DOCUMENT STATUS	P1	RELEASE DATE	2023/03/16	04:28:02
-----------------	----	--------------	------------	----------



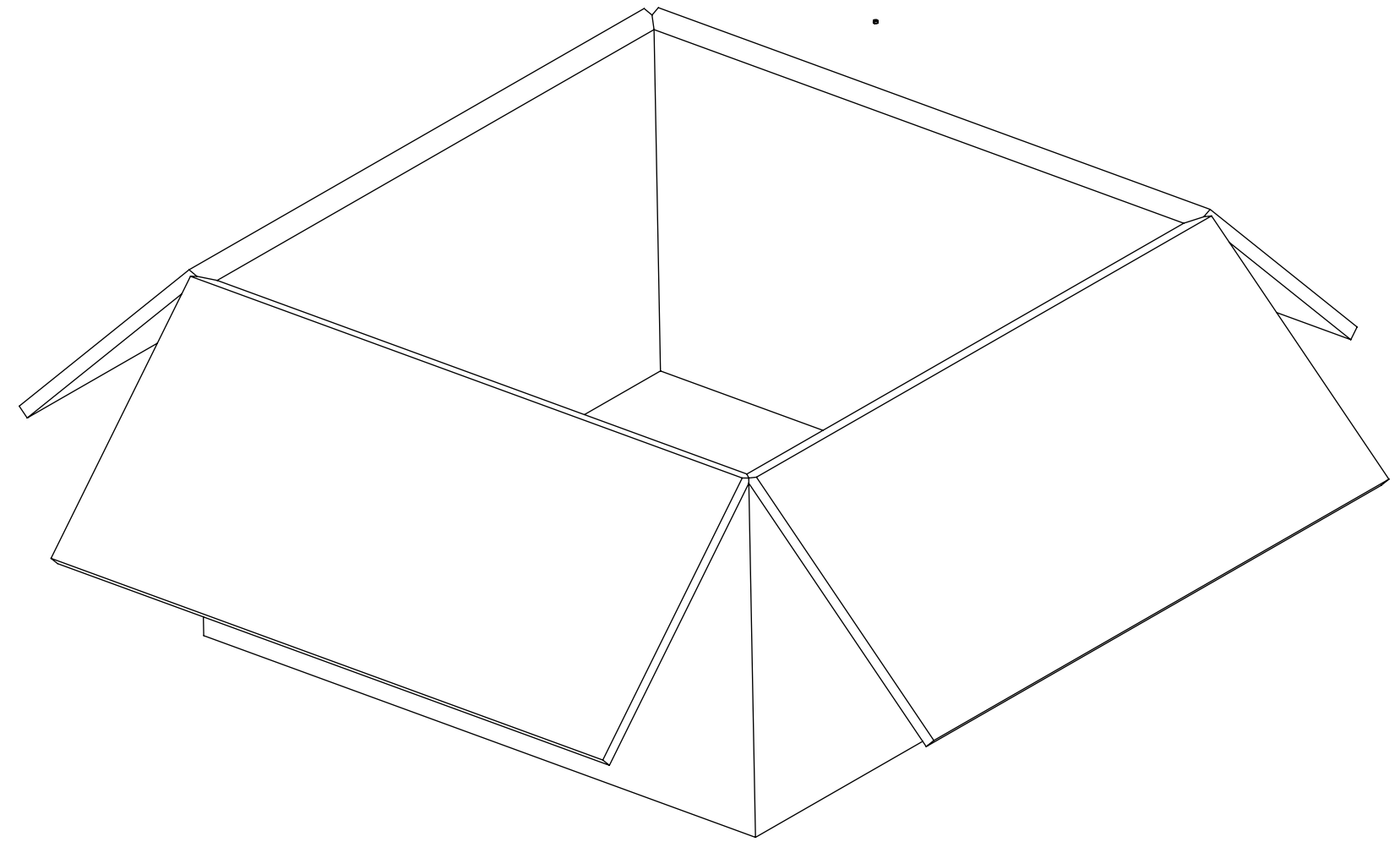
PART NO : 73415-2060
PART NO : 73415-2061



80 SET PER TRAY
P/N: 89707-0190



1600 SET PER INNER CARTON BOX
P/N: 96707-0001



3200 SET PER OUTER CARTON BOX
P/N: 96708-0005

FUNCTIONAL SYMBOLS	THIS DRAWING CONTAINS INFORMATION THAT IS PROPRIETARY TO MOLEX ELECTRONIC TECHNOLOGIES, LLC AND SHOULD NOT BE USED WITHOUT WRITTEN PERMISSION													
	DIMENSION UNITS	SCALE	CURRENT REV DESC: EWR # 15708-A : ADDED PACKAGING SPEC FOR -2060 & -2061 PART NO							molex				
$\frac{F}{A} = 0$	MM/INCH	NTS	GENERAL TOLERANCES (UNLESS SPECIFIED)									MMCX JACK, VERTICAL PCB/SMT 50 OHMS MMCX-J/PCB		
$\frac{E}{C} = 0$														
$\frac{E}{P} = 0$	ANGULAR TOL $\pm 2.0^\circ$		EC NO: 740907 DRWN: JSU18 2023/03/02 CHK'D: YCHENG 2023/03/16 APPR: YCHENG 2023/03/16							PRODUCT CUSTOMER DRAWING				
DIVISIONAL SYMBOLS														
4 PLACES \pm			INITIAL REVISION: DRWN: TFLAHERTY 2006/02/09 APPR: JWIENER 2006/02/09							DOCUMENT NUMBER		DOC TYPE	DOC PART	REVISION
3 PLACES \pm										SD-73415-206		PSD	001	B2
2 PLACES \pm			MATERIAL NUMBER		CUSTOMER		SHEET NUMBER							
1 PLACE \pm			GENERAL MARKET		5 OF 5									
0 PLACES \pm														
DRAFT WHERE APPLICABLE MUST REMAIN WITHIN DIMENSIONS			THIRD ANGLE PROJECTION	DRAWING	SERIES									
				C-SIZE	73415									