

MATERIALS AND FINISHES

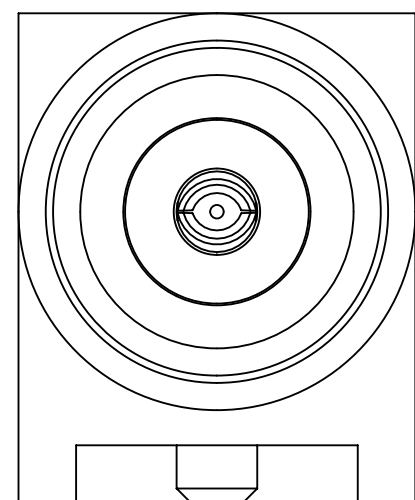
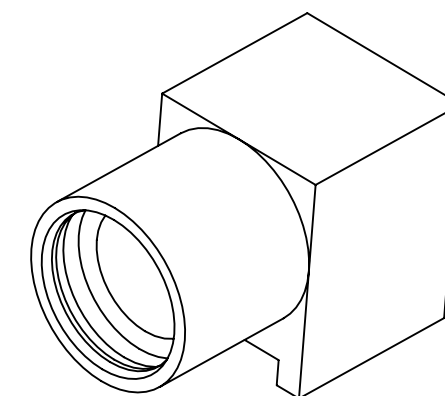
BODY: BRASS
PLATED GOLD

CENTER CONTACT: BERYLLIUM COPPER
PLATED GOLD

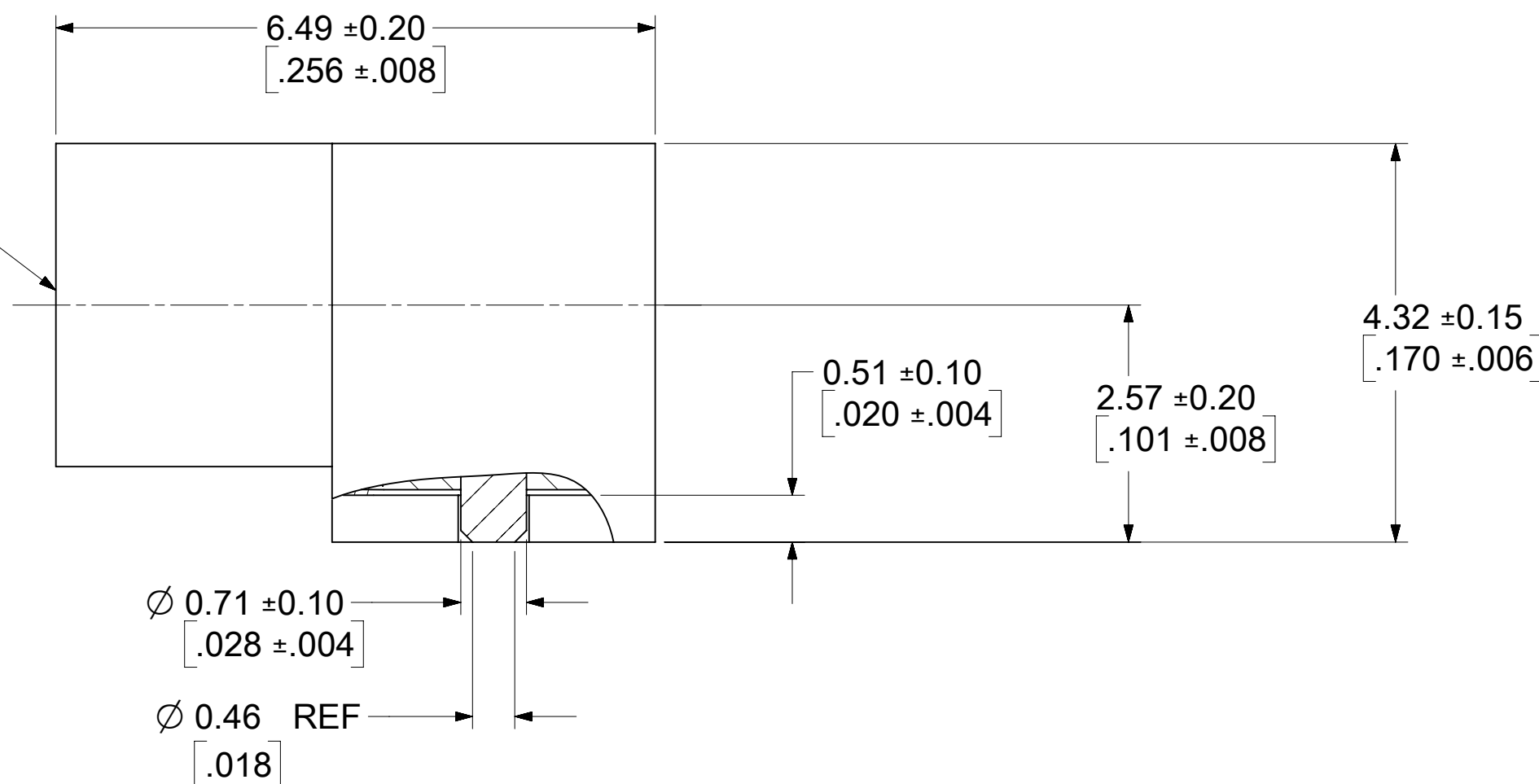
INSULATOR: TEFLON

4.74 ±0.20
[.187 ±.008]
THE CENTER OF VACUUM NOZZLE

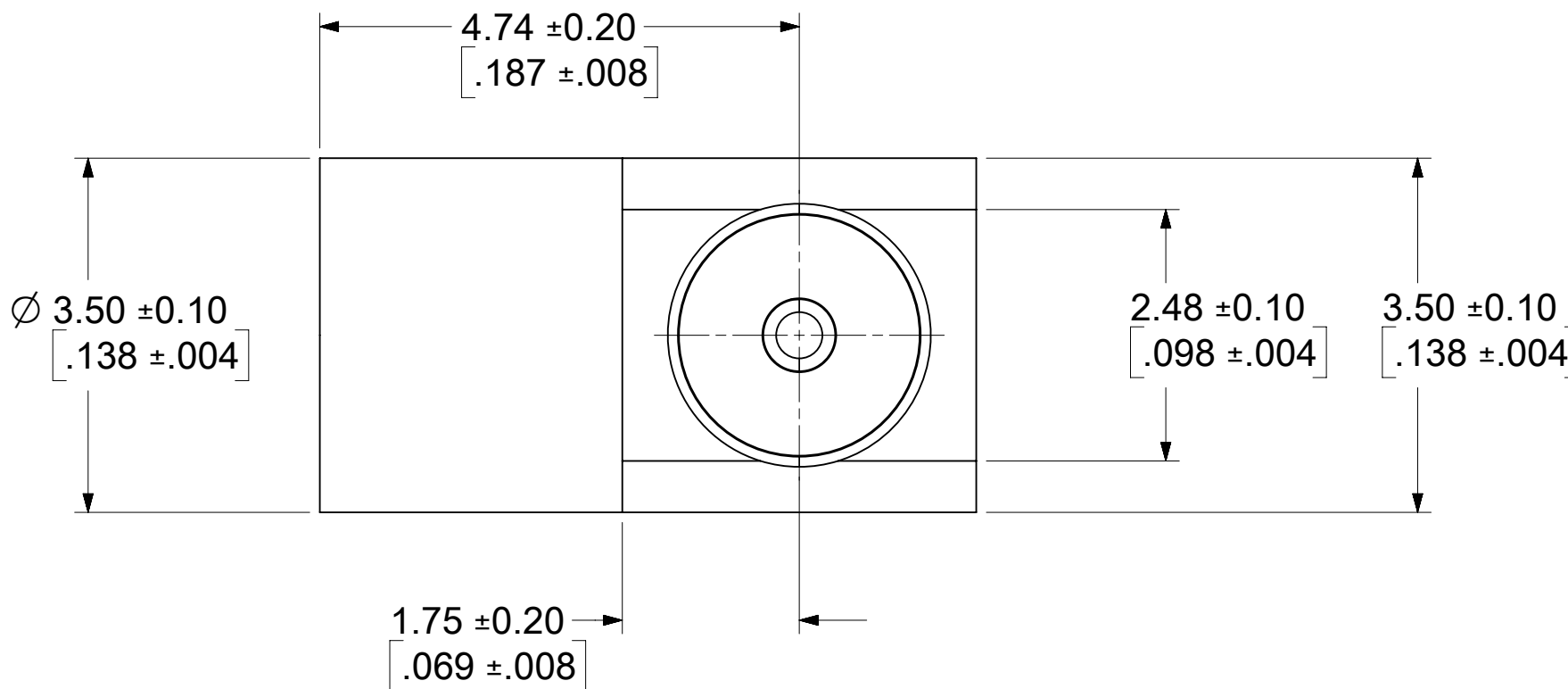
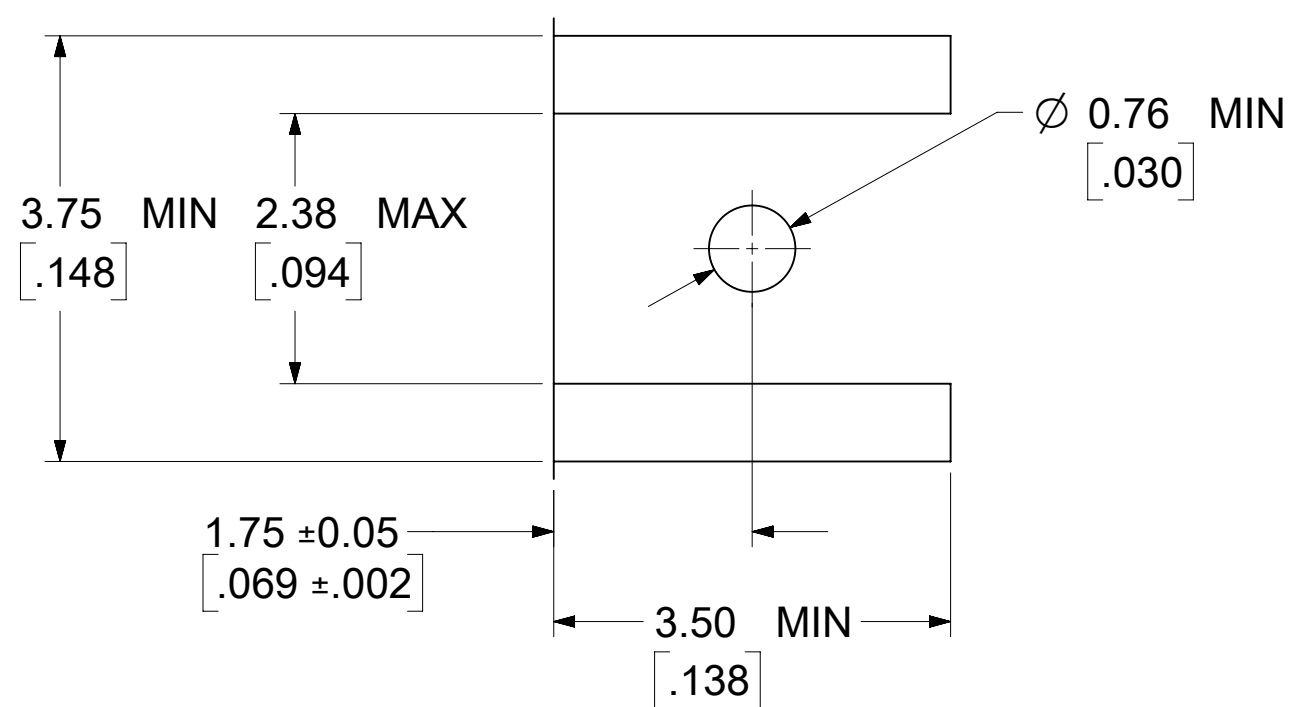
∅ 3.00
[.118]
THE AREA OF VACUUM NOZZLE



MMCX JACK
INTERFACE



PCB LAYOUT

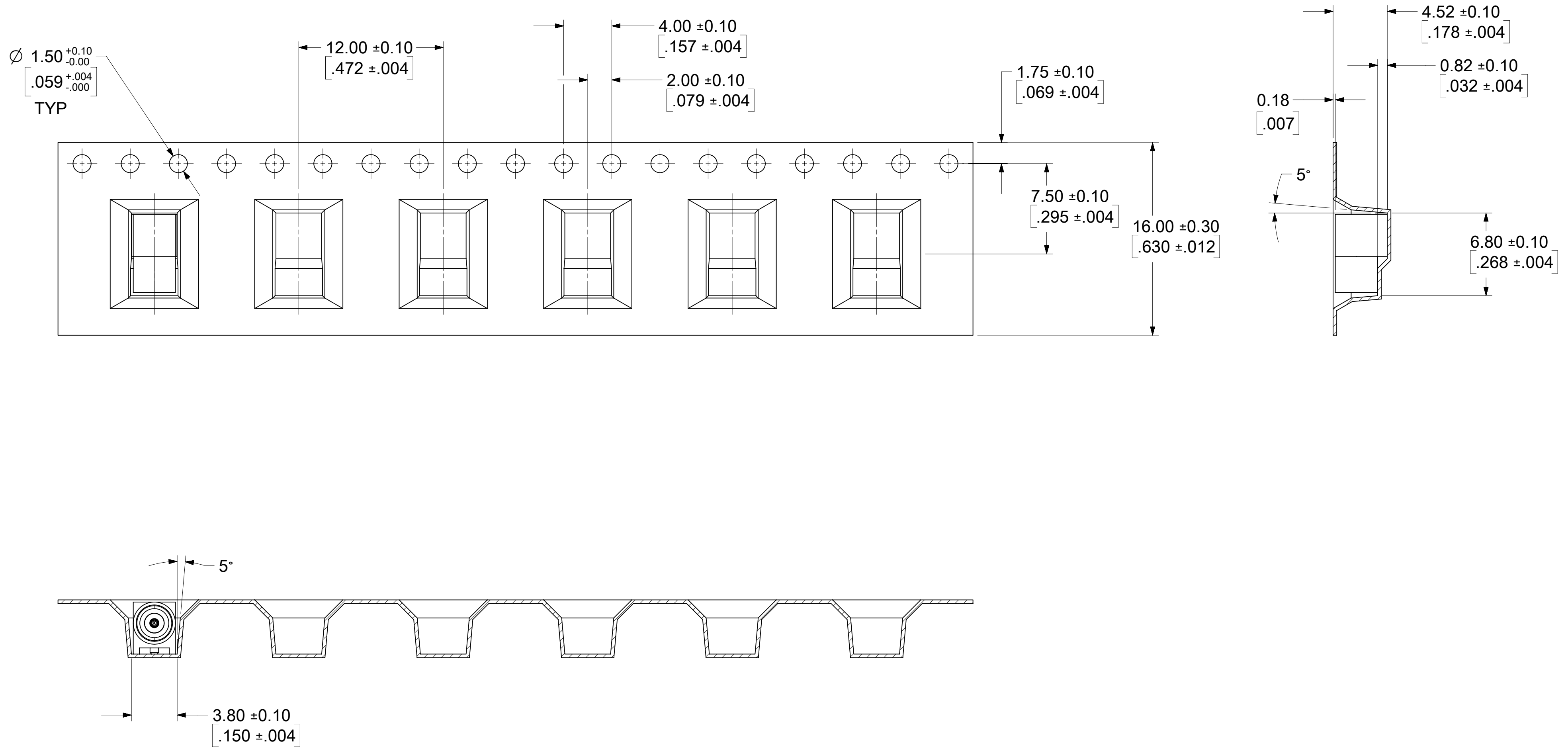


73415-3761	73415-3760 TAPE AND REEL (1000 PCS)
73415-3760	TRAY
PART NUMBER	PACKAGING

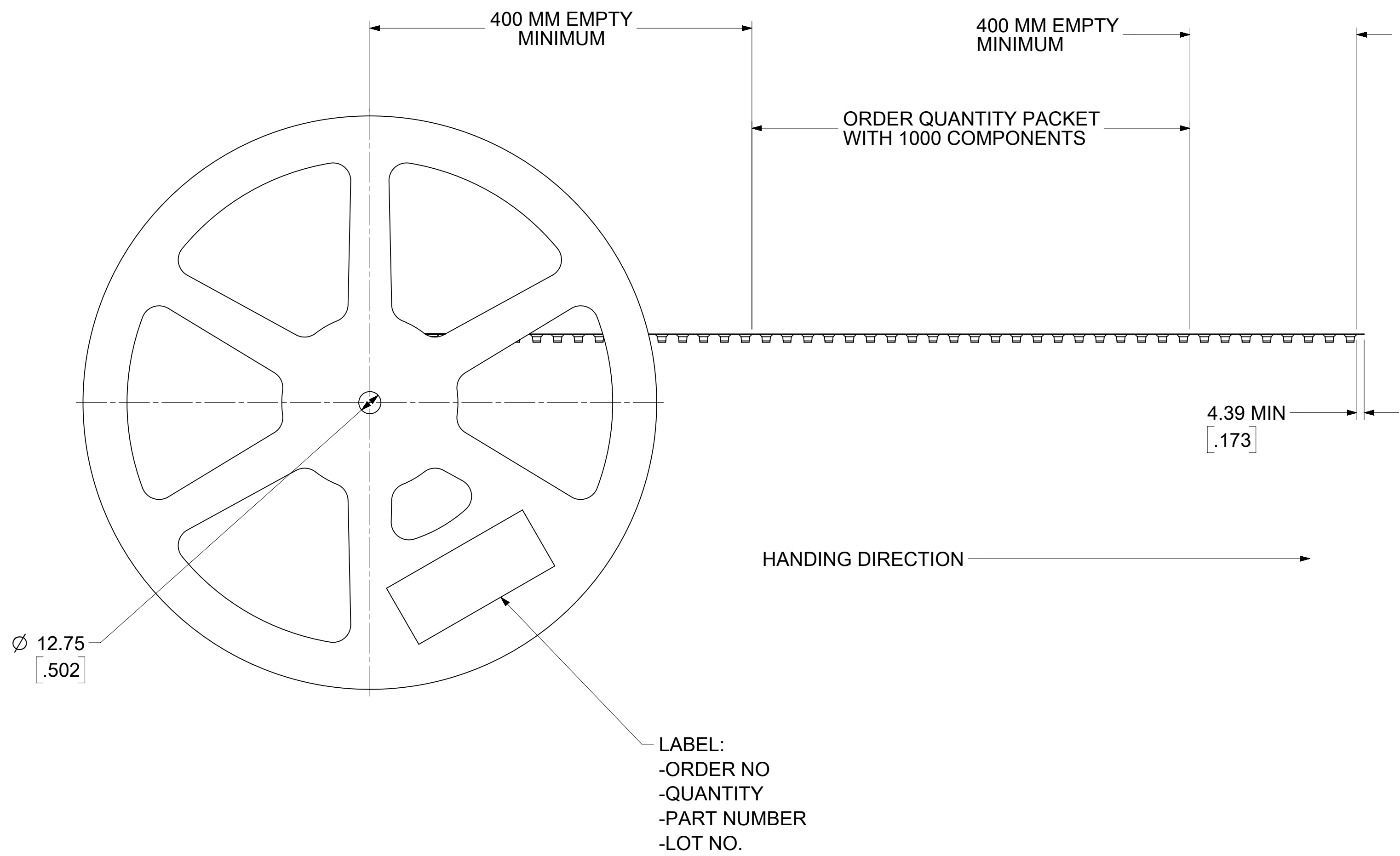
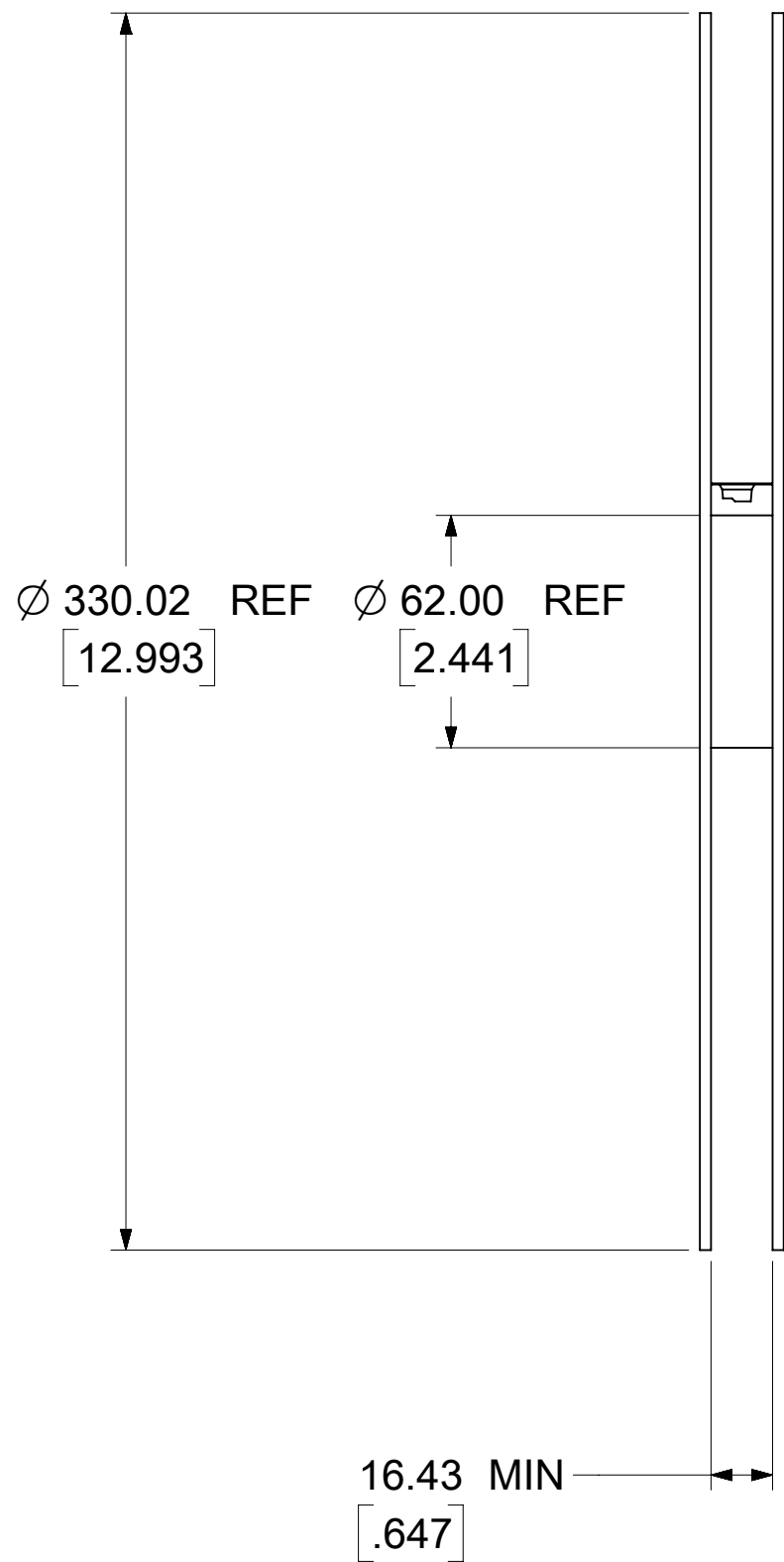
CECC-22.340	INTERFACE
SPECIFICATION	DESCRIPTION

THIS DRAWING CONTAINS INFORMATION THAT IS PROPRIETARY TO MOLEX ELECTRONIC TECHNOLOGIES, LLC AND SHOULD NOT BE USED WITHOUT WRITTEN PERMISSION												
FUNCTIONAL SYMBOLS	DIMENSION UNITS	SCALE	CURRENT REV DESC:									
FA = 0	MM/INCH	NTS	EWR-15132-A ADDED PACKAGE DRAWING FOR -3761 PART NO									
EA = 0	GENERAL TOLERANCES (UNLESS SPECIFIED)		EWR-15217-B UPDATE PACKAGE SPEC									
EP = 0	ANGULAR TOL ± 2.0°		EC NO: 709028									
DIVISIONAL SYMBOLS			4 PLACES ±	DRWN: JSU18 2022/04/08								
			3 PLACES ±	CHK'D: YCHENG 2022/06/06								
			2 PLACES ±	APPR: YCHENG 2022/06/06								
			1 PLACE ±	INITIAL REVISION:								
			0 PLACES ±	DRWN: AROBERTSON 2009/09/21								
			DRAFT WHERE APPLICABLE MUST REMAIN WITHIN DIMENSIONS			THIRD ANGLE PROJECTION	DRAWING	SERIES	DOCUMENT NUMBER	DOC TYPE	DOC PART	REVISION
						C-SIZE	73415	SD-73415-376	PSD	001	A3	
						GENERAL MARKET		SHEET NUMBER		1 OF 4		

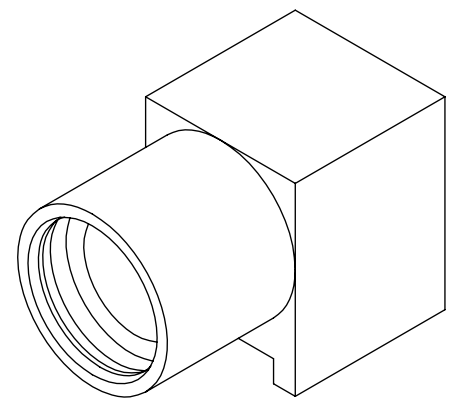
NOTE:
 1. DIMENSIONS ARE PROVIDED FOR REFERENCE ONLY.
 PART # 73415-3761



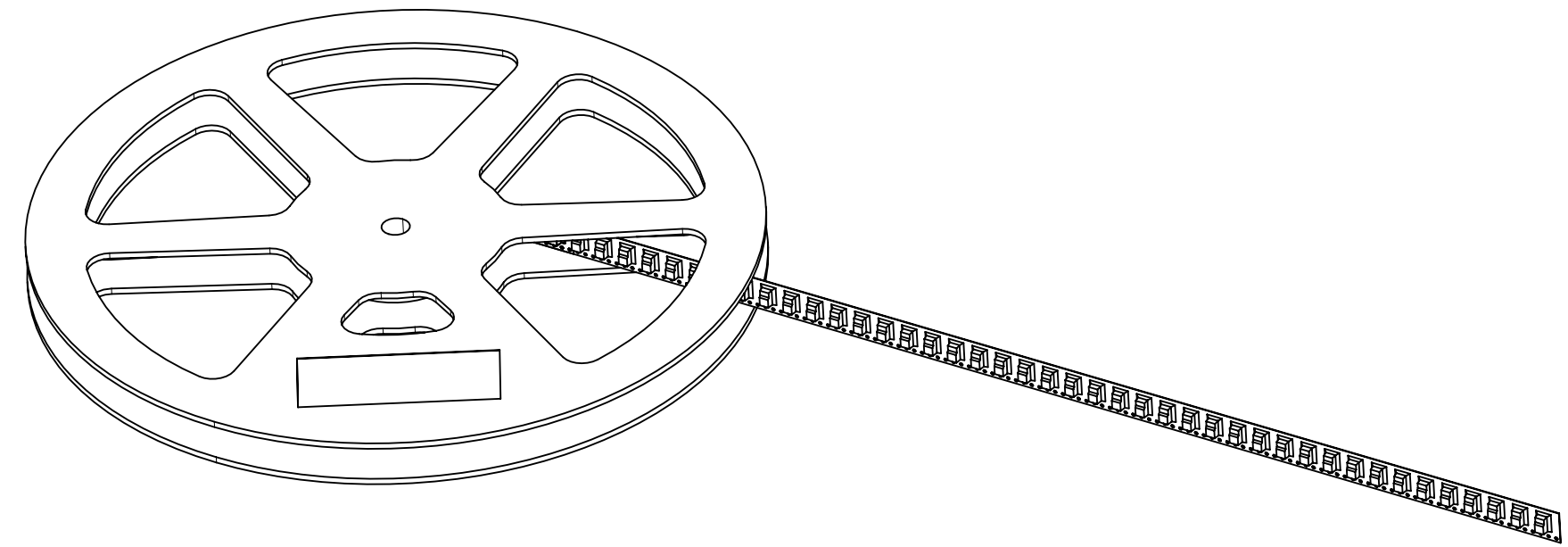
FUNCTIONAL SYMBOLS	THIS DRAWING CONTAINS INFORMATION THAT IS PROPRIETARY TO MOLEX ELECTRONIC TECHNOLOGIES, LLC AND SHOULD NOT BE USED WITHOUT WRITTEN PERMISSION											
	DIMENSION UNITS	SCALE	CURRENT REV DESC:									
$\frac{F}{A} = 0$	MM/INCH	NTS	EWR-15132-A ADDED PACKAGE DRAWING FOR -3761 PART NO									
$\frac{F}{C} = 0$	GENERAL TOLERANCES (UNLESS SPECIFIED)		EWR-15217-B UPDATE PACKAGE SPEC									
$\frac{F}{P} = 0$	ANGULAR TOL $\pm 2.0^\circ$		EC NO: 709028									
DIVISIONAL SYMBOLS	4 PLACES	±	DRWN: JSU18		2022/04/08							
	3 PLACES	±	CHK'D: YCHENG		2022/06/06							
	2 PLACES	±	APPR: YCHENG		2022/06/06							
	1 PLACE	±	INITIAL REVISION:									
	0 PLACES	±	DRWN: AROBERTSON		2009/09/21							
DRAFT WHERE APPLICABLE MUST REMAIN WITHIN DIMENSIONS			THIRD ANGLE PROJECTION	DRAWING	SERIES	DOCUMENT NUMBER				DOC TYPE	DOC PART	REVISION
				C-SIZE	73415	SD-73415-376				PSD	001	A3
						MATERIAL NUMBER		CUSTOMER		SHEET NUMBER		
								GENERAL MARKET		2 OF 4		



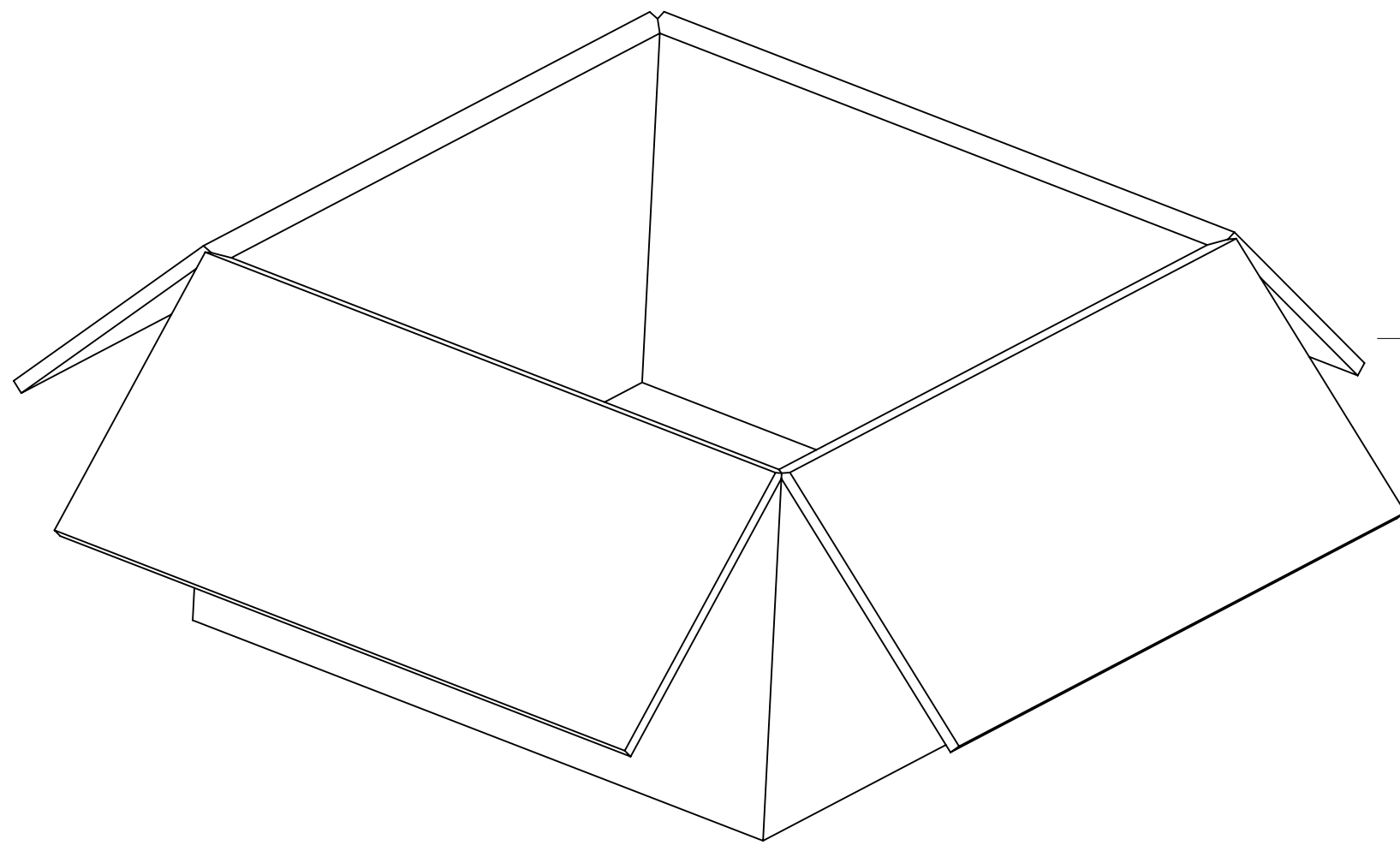
FUNCTIONAL SYMBOLS	THIS DRAWING CONTAINS INFORMATION THAT IS PROPRIETARY TO MOLEX ELECTRONIC TECHNOLOGIES, LLC AND SHOULD NOT BE USED WITHOUT WRITTEN PERMISSION												
	DIMENSION UNITS	SCALE	CURRENT REV DESC:										
$\frac{F}{A} = 0$	MM/INCH	NTS	EWR-15132-A ADDED PACKAGE DRAWING FOR -3761 PART NO EWR-15217-B UPDATE PACKAGE SPEC										
$\frac{E}{C} = 0$	GENERAL TOLERANCES (UNLESS SPECIFIED)		EC NO: 709028								MMCX JACK RA SMT PCB RECEPTACLE MMCX-J/PCB, EWR-1638		
$\frac{E}{P} = 0$	ANGULAR TOL \pm 2.0°		DRWN: JSU18 2022/04/08										
DIVISIONAL SYMBOLS	4 PLACES \pm		CHK'D: YCHENG 2022/06/06								PRODUCT CUSTOMER DRAWING		
	3 PLACES \pm		APPR: YCHENG 2022/06/06										
	2 PLACES \pm		INITIAL REVISION:										
	1 PLACE \pm		DRWN: AROBERTSON 2009/09/21										
0 PLACES \pm		APPR: JWIENER 2009/09/21								DOCUMENT NUMBER SD-73415-376	DOC TYPE PSD	DOC PART 001	REVISION A3
DRAFT WHERE APPLICABLE MUST REMAIN WITHIN DIMENSIONS			THIRD ANGLE PROJECTION	DRAWING	SERIES	MATERIAL NUMBER	CUSTOMER	SHEET NUMBER					
				C-SIZE	73415		GENERAL MARKET	3 OF 4					



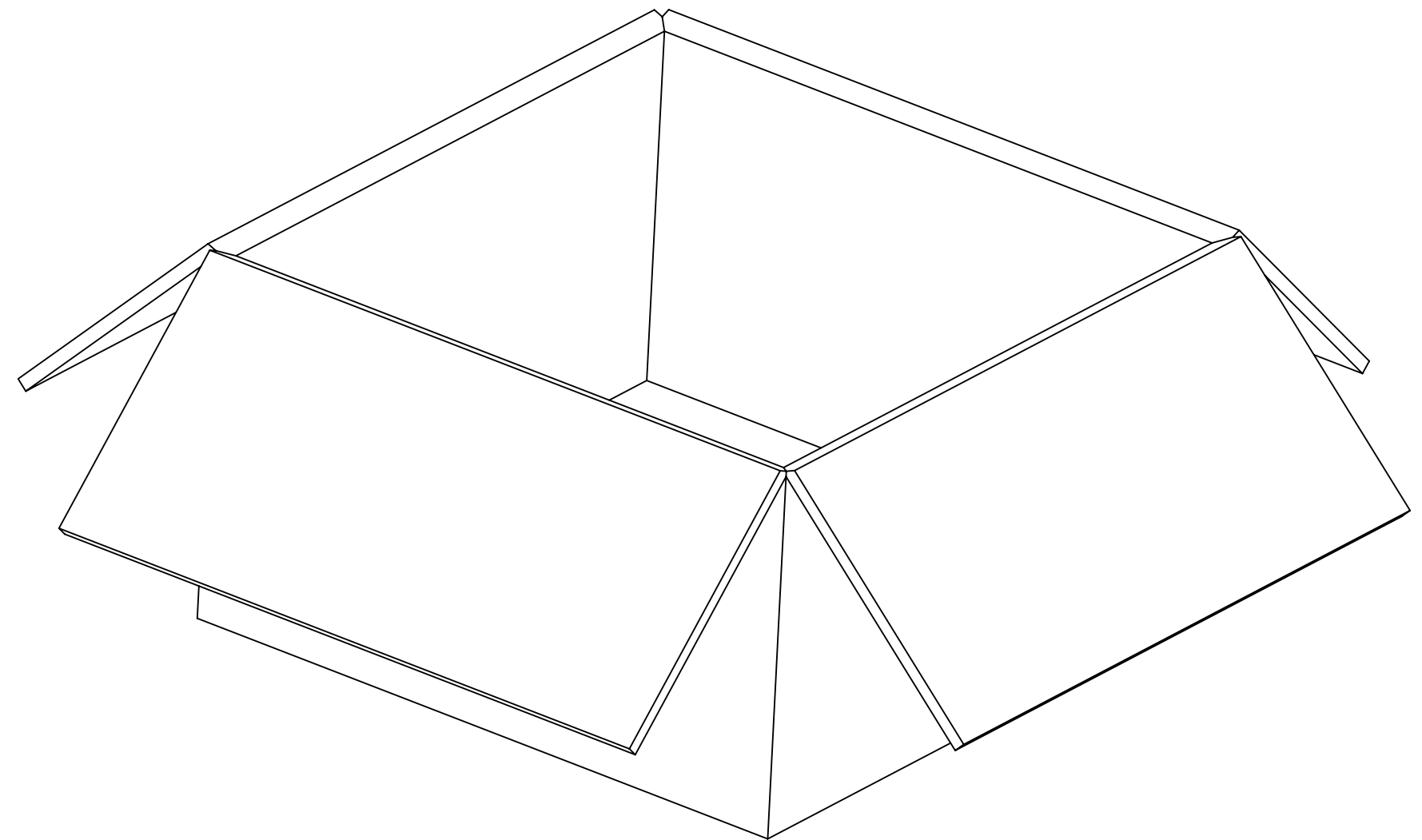
PART # 73415-3761



1000 SET PER TAPE & REEL
P/N: 89707-0367



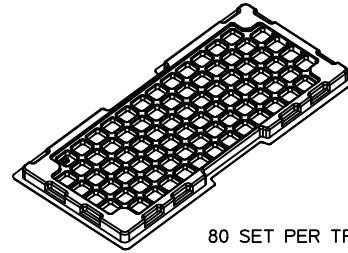
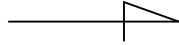
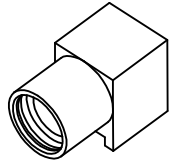
7000 SET PER INNER CARTON BOX
P/N: 89499-9028
L343MM * W343MM * D188MM



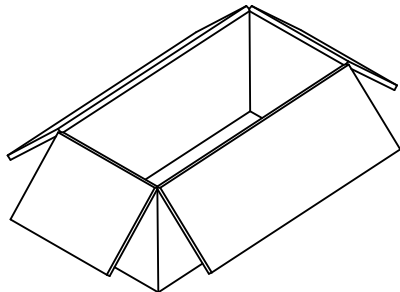
7000 SET PER TAPE & REEL
P/N: 96708-0005
L394MM * W391MM * D212MM

FUNCTIONAL SYMBOLS	THIS DRAWING CONTAINS INFORMATION THAT IS PROPRIETARY TO MOLEX ELECTRONIC TECHNOLOGIES, LLC AND SHOULD NOT BE USED WITHOUT WRITTEN PERMISSION										
	DIMENSION UNITS	SCALE	CURRENT REV DESC:							molex	
$\frac{F}{A} = 0$	MM/INCH	NTS	EWR-15132-A ADDED PACKAGE DRAWING FOR -3761 PART NO EWR-15217-B UPDATE PACKAGE SPEC								
$\frac{E}{C} = 0$	GENERAL TOLERANCES (UNLESS SPECIFIED)		EC NO: 709028							MMCX JACK RA	
$\frac{E}{P} = 0$	ANGULAR TOL $\pm 2.0^\circ$		4 PLACES \pm				2022/04/08			SMT PCB RECEPTACLE MMCX-J/PCB, EWR-1638	
DIVISIONAL SYMBOLS	3 PLACES \pm		DRWN: JSU18				2022/06/06			PRODUCT CUSTOMER DRAWING	
	2 PLACES \pm		CHK'D: YCHENG				2022/06/06			DOCUMENT NUMBER	
	1 PLACE \pm		APPR: YCHENG				2022/06/06			DOC TYPE	
	0 PLACES \pm		INITIAL REVISION:				2009/09/21			DOC PART	
DRAFT WHERE APPLICABLE MUST REMAIN WITHIN DIMENSIONS		THIRD ANGLE PROJECTION		DRAWING		SERIES		MATERIAL NUMBER		CUSTOMER	
				C-SIZE		73415		SD-73415-376		GENERAL MARKET	
								PSD		REVISION	
								001		A3	
								4 OF 4		SHEET NUMBER	

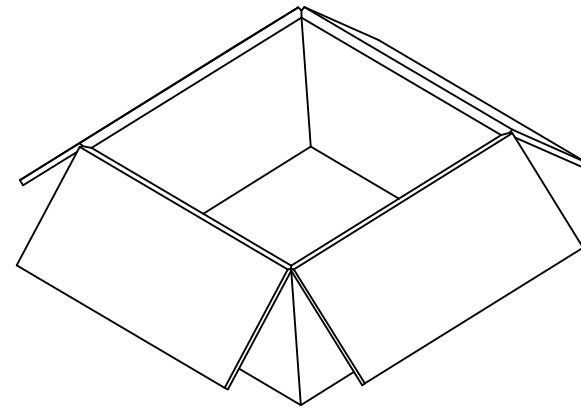
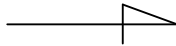
DOCUMENT STATUS	P1	RELEASE DATE	2022/06/06	06:20:33
-----------------	----	--------------	------------	----------



80 SET PER TRAY
TRAY P/N 89707-0190



1600 SET PER INNER CARTON
P/N 96707-0001



3200 SET PER OUTER CARTON
P/N 96708-0005

PACKAGING FOR PART NO. 73415-3760

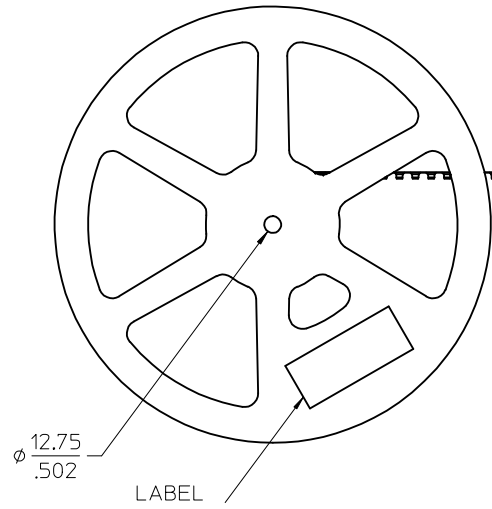
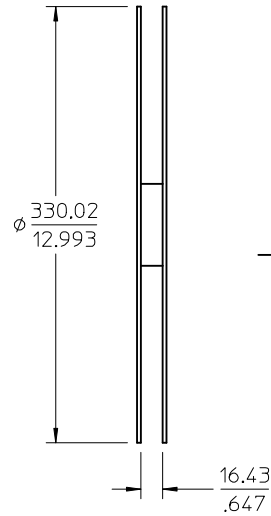
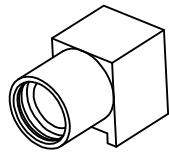
A	CHGNEW RELEASE	DESCRIPTION	QUALITY SYMBOLS
	EC NO: URF2015-0662		
	DRWN: YCHENG 2015/06/09		
	CHKD: YCHENG		
	APPR: YCHENG		

GENERAL TOLERANCES (UNLESS SPECIFIED)	
	mm INCH
4 PLACES	± --- ± ---
3 PLACES	± --- ± ---
2 PLACES	± --- ± ---
1 PLACE	± --- ± ---
0 PLACE	± --- ± ---
ANGULAR ± 2 °	
DRAFT WHERE APPLICABLE MUST REMAIN WITHIN DIMENSIONS	

DIMENSION STYLE	
MM/IN	
DRAWN BY	DATE
YCHENG	2015/05/26
CHECKED BY	DATE
JUDY	2015/05/26
APPROVED BY	DATE
YCHENG	2015/06/09
MATERIAL NO.	

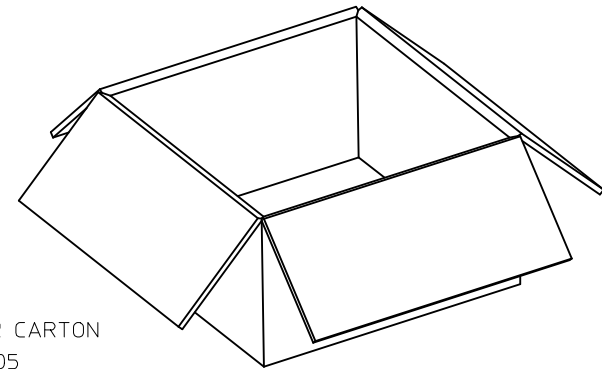
SCALE	DESIGN UNITS	THIRD ANGLE PROJECTION
1:5	METRIC	
TITLE		
PACKAGING FOR 73415-376		
DOCUMENT NO.		SHEET NO.
SD-73415-376PKG		1 OF 2
SIZE		
C THIS DRAWING CONTAINS INFORMATION THAT IS PROPRIETARY TO MOLEX INCORPORATED AND SHOULD NOT BE USED WITHOUT WRITTEN PERMISSION		

PACKAGING FOR PART NO. 73415-3761



EMBOSSED
P/N 89707-0367

1000 SET PER ONE REEL



7000 SET PER CARTON
P/N 96708-0005

SEE SHEET1 EC NO: URF2015-0662 DRAWN: YCHENG 2015/06/09 CHKD: APPR: YCHENG 2015/06/09 REV: A	QUALITY SYMBOLS ▽=0 ▽=0 ▽=0	GENERAL TOLERANCES (UNLESS SPECIFIED) <table border="1"> <thead> <tr> <th></th> <th>mm</th> <th>INCH</th> </tr> </thead> <tbody> <tr> <td>4 PLACES</td> <td>± ---</td> <td>± ---</td> </tr> <tr> <td>3 PLACES</td> <td>± ---</td> <td>± ---</td> </tr> <tr> <td>2 PLACES</td> <td>± ---</td> <td>± ---</td> </tr> <tr> <td>1 PLACE</td> <td>± ---</td> <td>± ---</td> </tr> <tr> <td>0 PLACE</td> <td>± ---</td> <td>± ---</td> </tr> </tbody> </table>		mm	INCH	4 PLACES	± ---	± ---	3 PLACES	± ---	± ---	2 PLACES	± ---	± ---	1 PLACE	± ---	± ---	0 PLACE	± ---	± ---	DIMENSION STYLE MM/IN	SCALE 1:2.86	DESIGN UNITS METRIC	THIRD ANGLE PROJECTION
		mm	INCH																					
	4 PLACES	± ---	± ---																					
	3 PLACES	± ---	± ---																					
	2 PLACES	± ---	± ---																					
1 PLACE	± ---	± ---																						
0 PLACE	± ---	± ---																						
	ANGULAR ± 2°	DRAFT WHERE APPLICABLE MUST REMAIN WITHIN DIMENSIONS	DRAWN BY YCHENG	DATE 2015/05/26	CHECKED BY JUDY	DATE 2015/05/26	TITLE PACKAGING FOR 73415-376																	
			APPROVED BY YCHENG	DATE 2015/06/09			MATERIAL NO. SEE SHEET1																	
					DOCUMENT NO. SD-73415-376PKG	SHEET NO. 2 OF 2																		
			SIZE C	THIS DRAWING CONTAINS INFORMATION THAT IS PROPRIETARY TO MOLEX INCORPORATED AND SHOULD NOT BE USED WITHOUT WRITTEN PERMISSION																				