

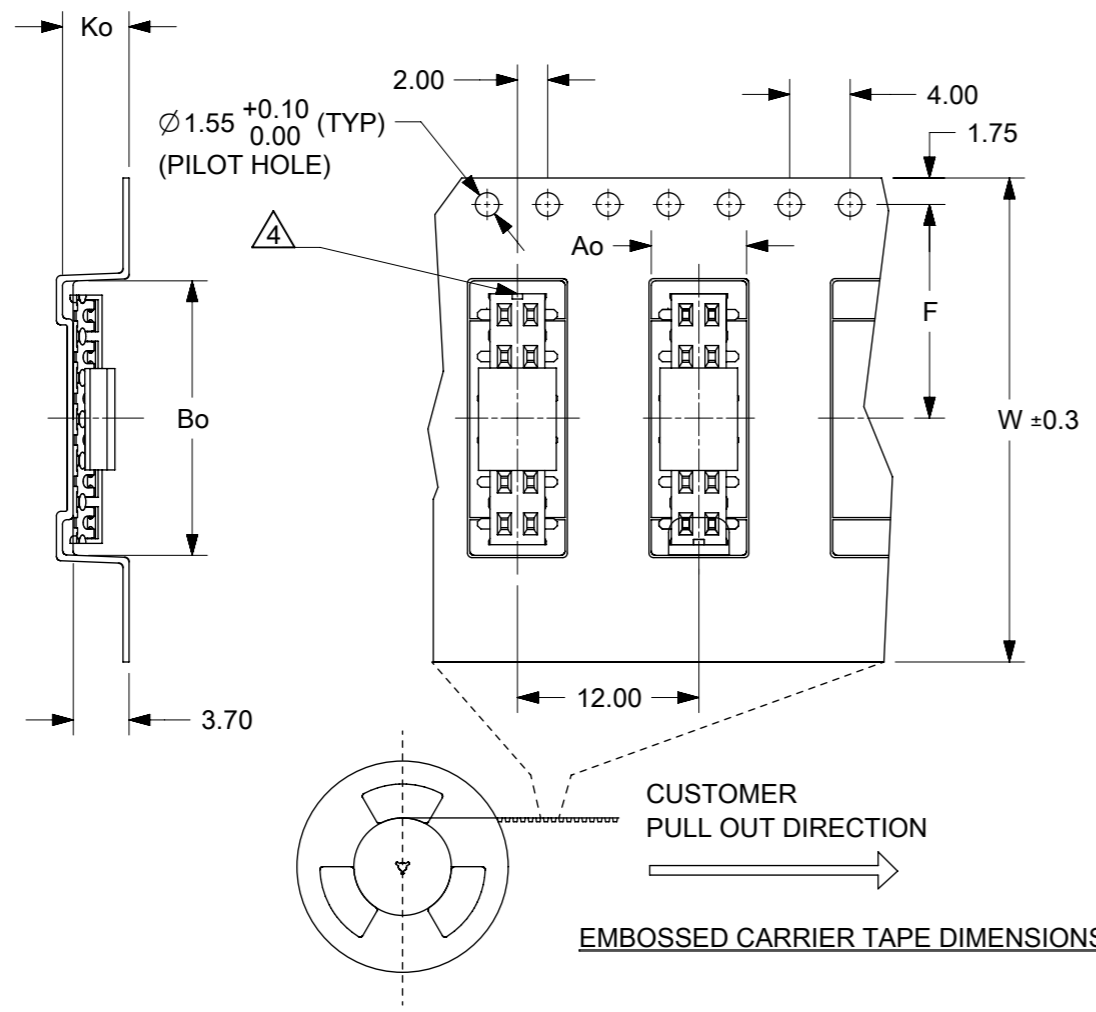
PART NUMBER W/CAP IN TUBE	CKT. SIZE	DIM. A	DIM. B
87340-04*5	4	4.00	2.00
87340-06*5	6	6.00	4.00
87340-08*5	8	8.00	6.00
87340-10*5	10	10.00	8.00
87340-12*5	12	12.00	10.00
87340-14*5	14	14.00	12.00
87340-16*5	16	16.00	14.00
87340-18*5	18	18.00	16.00
87340-20*5	20	20.00	18.00

PART NO. LEGEND
 87340- * * * *
 * PACKAGING
 5 - TUBE
 6 - T&R
 * PLATING SEE NOTE 3
 * CIRCUIT SIZE

NOTES:

- FOR ILLUSTRATION PURPOSES, DRAWING SHOWS PART WITH 12 CIRCUIT SIZE.
- MATERIAL:
HOUSING: LCP GLASS FILLED, UL 94V-0
SUITABLE FOR SURFACE-MOUNT SOLDERING PROCESS.
COLOR BLACK
TERMINAL: PHOSPHOR BRONZE ALLOY.
3. PLATING- 9 : 0.38µm MINIMUM GOLD PLATE AT CONTACT AREA, AND 1.90µm MINIMUM TIN PLATE AT P.C TAIL AREA, BOTH OVER 1.27µm MINIMUM NICKEL OVERALL.
3 : 0.05-0.25µm GOLD PLATE AT CONTACT AREA, AND 1.90µm MINIMUM TIN PLATE AT P.C TAIL AREA, BOTH OVER 1.27µm MINIMUM NICKEL OVERALL.
4. COPLANARITY OF P.C TAIL TO BE MEASURED BY RESTING THE PART ON A FLAT GAGE SURFACE.
5. THIS AREA OF PART TO BE HEAT-STAKED TO RETAIN CONTACTS.
6. POSITION OF CAP TO BE LOCATED AT CENTER OF DIMENSION "A" REGARDLESS OF CIRCUIT SIZE.
7. PRODUCT SPECIFICATION PS-87340 APPLIES.
8. PART TO BE PACKAGED IN TAPE-&-REEL. SEE SHEET 2 FOR PACKAGING DETAILS.
9. CONTACT FACTORY FOR PARTS AVAILABILITY.

SYMBOLS	THIS DRAWING CONTAINS INFORMATION THAT IS PROPRIETARY TO MOLEX ELECTRONIC TECHNOLOGIES, LLC AND SHOULD NOT BE USED WITHOUT WRITTEN PERMISSION		CURRENT REV DESC:		molex
	DIMENSION UNITS	SCALE			
▽ = 0	mm	NTS			MGRID, VLPR II TOP ENTRY RECEPT., SMT W/CAP FOR PICK-&-PLACE
▽ = 0	GENERAL TOLERANCES (UNLESS SPECIFIED)				
▽ = 0		MM	INCH		
▽ = 0	4 PLACES ±			EC NO: 740811	PRODUCT CUSTOMER DRAWING
▽ = 0	3 PLACES ±			DRWN: DANUSA 2023/02/13	
▽ = 0	2 PLACES ±	0.2		CHK'D: SUAIFR 2023/03/02	DOCUMENT NUMBER SD-87340-XX92
▽ = 0	1 PLACE ±			APPR: MRAMAKRISHNA 2023/03/03	
▽ = 0	0 PLACES ±			INITIAL REVISION:	DOC TYPE PSD
▽ = 0	ANGULAR TOL ±	3.0°		DRWN: JWAN 1995/01/25	DOC PART 001
▽ = 0	DRAFT WHERE APPLICABLE MUST REMAIN WITHIN DIMENSIONS		THIRD ANGLE PROJECTION	DRAWING A3-SIZE	REVISION D5
▽ = 0				SERIES 87340	SHEET NUMBER 1 OF 2
				MATERIAL NUMBER SEE TABLE	CUSTOMER GENERAL MARKET

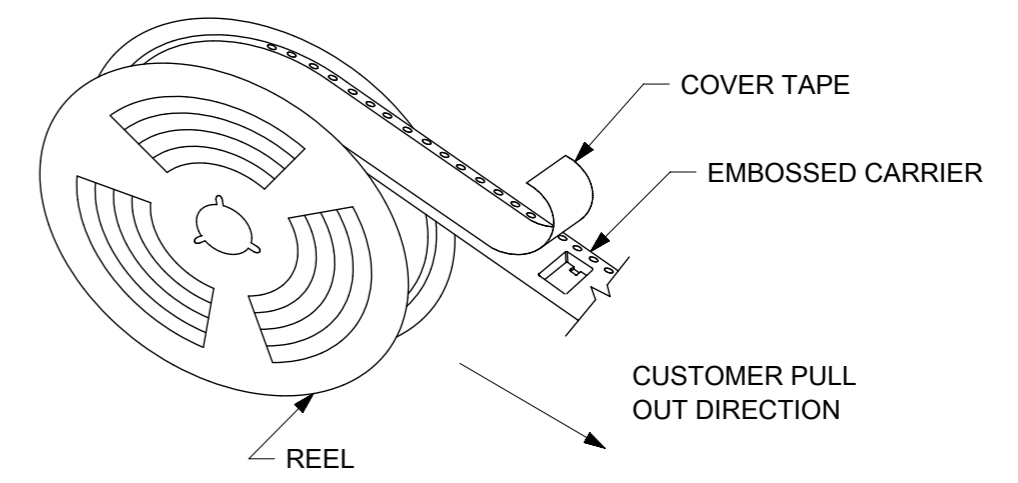


PART NO. W/CAP IN TAPE/REEL	CKT. SIZE	Ao	Bo	F	W	Ko
87340-04*6	4	6.70	5.30	11.50	24.00	5.30
87340-06*6	6	6.50	6.50	7.50	16.00	4.50
87340-08*6	8	6.70	8.40	11.50	24.00	5.30
87340-10*6	10	6.70	10.40	11.50	24.00	5.30
87340-12*6	12	6.60	12.40	11.50	24.00	4.40
87340-14*6	14	6.60	14.30	11.50	24.00	4.40
87340-16*6	16	6.60	16.30	11.50	24.00	4.40
87340-20*6	20	6.70	6.70	20.20	44.00	5.30

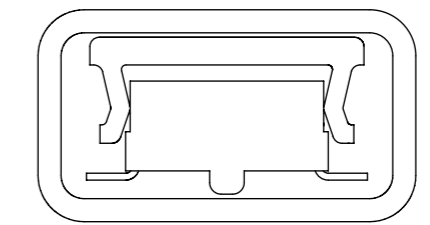
PART LEGEND NA FOR BELOW TABLE

PART NO. W/CAP IN TAPE/REEL	CKT. SIZE	Ao	Bo	F	W	Ko
87340-1196	10	6.70	10.40	11.50	24.00	5.30

NOTE: CKT 7 AND 8 UN-FILLED. REFER HOUSING DRAWING

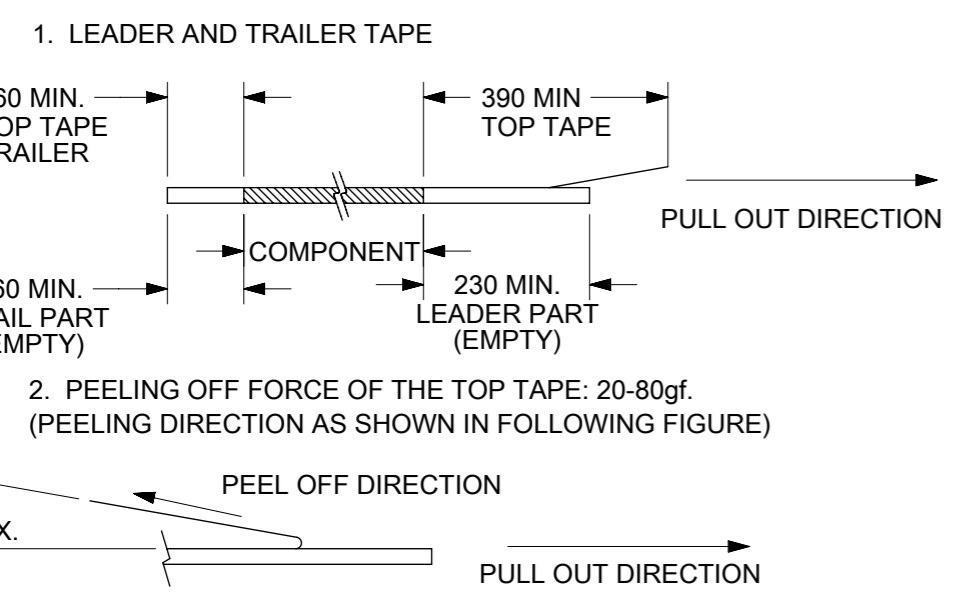


TAPE AND REEL ASSEMBLY SHOWN IS FOR ILLUSTRATION ONLY.



PART IN TUBE VIEW

NOTES:



- 3. PACKAGING STANDARD IS AS PER EIA-481.
- 4. TAPE & REEL QUANTITY = 1000 PCS/REEL
- 5. NO FIX ORIENTATION OF ASSEMBLY PART IN T&R.

SYMBOLS DIMENSION UNITS: mm, NTS SCALE: GENERAL TOLERANCES (UNLESS SPECIFIED) 4 PLACES ±, 3 PLACES ±, 2 PLACES ± 0.2, 1 PLACE ±, 0 PLACES ± ANGULAR TOL ± 3.0° DRAFT WHERE APPLICABLE MUST REMAIN WITHIN DIMENSIONS	THIS DRAWING CONTAINS INFORMATION THAT IS PROPRIETARY TO MOLEX ELECTRONIC TECHNOLOGIES, LLC AND SHOULD NOT BE USED WITHOUT WRITTEN PERMISSION		CURRENT REV DESC: EC NO: 740811 DRWN: DANUSA 2023/02/13 CHK'D: SUAIFR 2023/03/02 APPR: MRAMAKRISHNA 2023/03/03			
	DRWN: JWAN 1995/01/25 APPR: RWONG 1995/01/25		INITIAL REVISION:			
DOCUMENT NUMBER: SD-87340-XX92 DOC TYPE: PSD DOC PART: 001 REVISION: D5		PRODUCT CUSTOMER DRAWING		MATERIAL NUMBER: SEE TABLE CUSTOMER: GENERAL MARKET SHEET NUMBER: 2 OF 2		