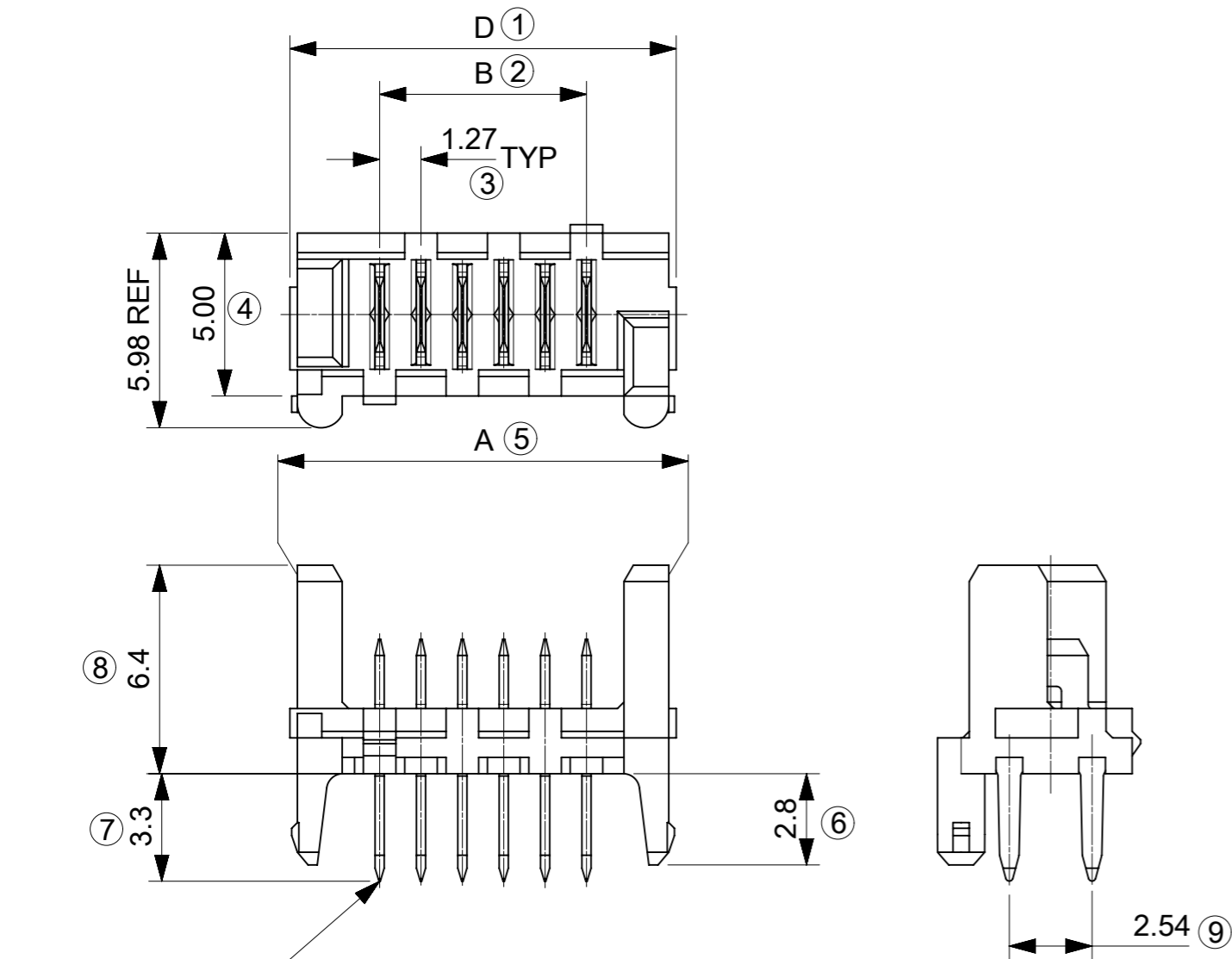


90325 - **26	26	36.80	31.75	35.35	37.26
90325 - **24	24	34.26	29.21	32.81	34.72
90325 - **22	22	31.72	26.67	30.27	32.18
90325 - **20	20	29.18	24.13	27.73	29.64
90325 - **18	18	26.64	21.59	25.19	27.10
90325 - **16	16	24.10	19.05	22.65	24.56
90325 - **14	14	21.56	16.51	20.11	22.02
90325 - **12	12	19.02	13.97	17.57	19.48
90325 - **10	10	16.48	11.43	15.03	16.94
90325 - **08	08	13.94	8.89	12.49	14.40
90325 - **06	06	11.40	6.35	9.95	11.86
90325 - **04	04	8.86	3.81	7.41	9.32
PART NO.	NO. OF CKTS	DIM. A	DIM. B	DIM. C	DIM. D

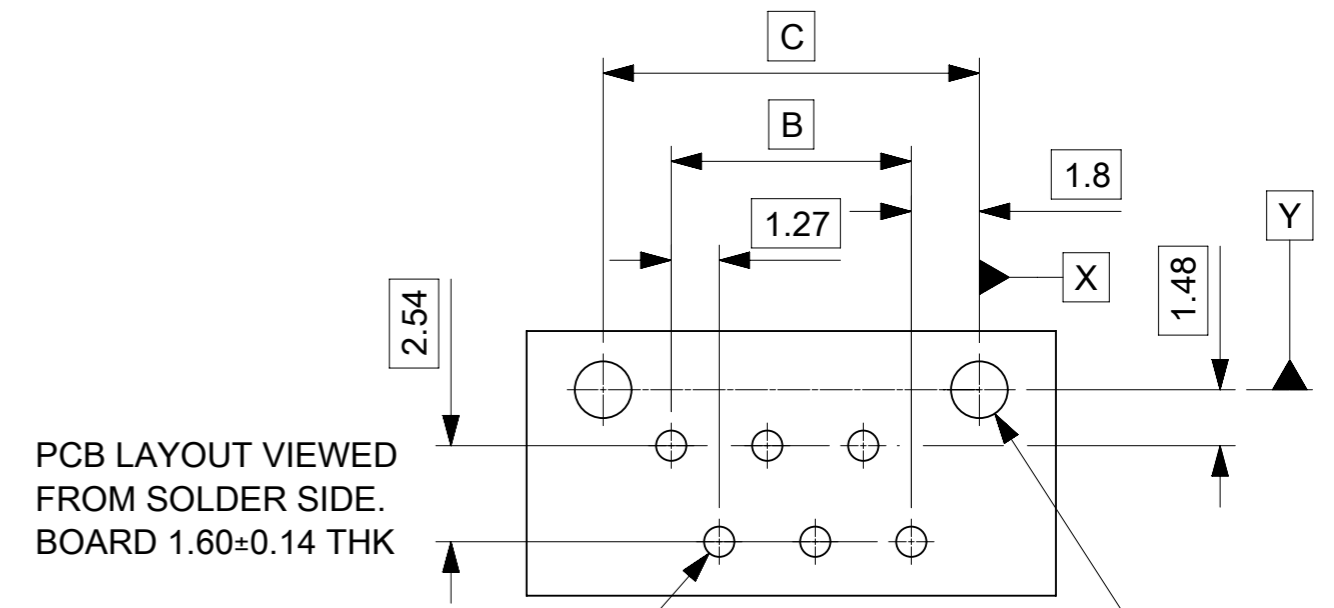


CIRCUIT NO. 1

90325 - \* \* \* \*

CIRCUIT SIZE 04 CKT TO 26 CKT  
 0 = HOUSING: COLOUR BLACK  
 9 = HOUSING: CUSTOMER SPECIFIC (COLOUR BLACK)

0 = 3 -5µm TIN ASSY  
 3 = 0.76µm GOLD ASSY  
 5 = NON STANDARD VOIDED OPTIONSEE SHEET 2 TUBED  
 6 = ROUND PEG WITH KINKSOPTION SEE SHEET 3 (OBSOLETE)  
 7 = 0.76µm GOLD ASSY, TUBED  
 9 = 3-5µm TIN ASSY TUBED



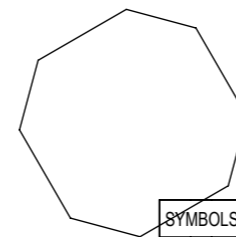
INSPECTION NUMBERS USED ON SHEET 1: 1-20  
 LAST INSPECTION NUMBER USED: 9

- NOTES:
- HOUSING MATL. POLYESTER PBT 15% GLASS FILLED TO UL94V-0
  - TER. MATL. BRALL 0.28 THK  
 PLATING: :UNDERPLATED 1.27µm MIN NICKEL  
 3-5µm TIN SELECTIVE  
 0.76µm MIN. SELECTIVE GOLD
  - CONFIRMS TO PRODUCT SPECIFICATION PS-99020-0011
  - PACKAGING SPECIFICATION: PK-90325-001

SYMBOLS		THIS DRAWING CONTAINS INFORMATION THAT IS PROPRIETARY TO MOLEX ELECTRONIC TECHNOLOGIES, LLC AND SHOULD NOT BE USED WITHOUT WRITTEN PERMISSION	
▽ = 0	mm	SCALE	5:1
▽ = 0	GENERAL TOLERANCES (UNLESS SPECIFIED)		
▽ = 0	ANGULAR TOL ± 0.5°		
▽ = 0	4 PLACES	±	
▽ = 0	3 PLACES	±	
▽ = 0	2 PLACES	±	0.2
▽ = 0	1 PLACE	±	0.2
▽ = 0	0 PLACES	±	
■ = 0	DRAFT WHERE APPLICABLE MUST REMAIN WITHIN DIMENSIONS		
▽ = 0	THIRD ANGLE PROJECTION		
CURRENT REV DESC:		EC NO: 738955	
		DRWN: GOWTHP 2023/02/02	
		CHK'D: GOWTHP 2023/02/16	
		APPR: ISHWARG 2023/02/20	
		INITIAL REVISION:	
		DRWN: RFC_PLMIMP 2018/10/14	
		APPR: MWILHITE 2000/07/24	
DOCUMENT NUMBER		DOC TYPE	DOC PART
SDA-90325		PSD	001
MATERIAL NUMBER		CUSTOMER	SHEET NUMBER
SEE TABLE		GENERAL MARKET	1 OF 2

# DRAWING REMASTERED TO NX

PART NUMBER OPTIONS ON SHEET'S 2 & 3 ARE OBSOLETE AND THEREFORE HAVE BEEN REMOVED FROM DRAWING.



SYMBOLS	THIS DRAWING CONTAINS INFORMATION THAT IS PROPRIETARY TO MOLEX ELECTRONIC TECHNOLOGIES, LLC AND SHOULD NOT BE USED WITHOUT WRITTEN PERMISSION		
	DIMENSION UNITS	SCALE	CURRENT REV DESC:
▽ = 0	mm	1:1	EC NO: 738955 DRWN: GOWTHP 2023/02/02 CHK'D: GOWTHP 2023/02/16 APPR: ISHWARG 2023/02/20
▽ = 0	GENERAL TOLERANCES (UNLESS SPECIFIED)		
▽ = 0	ANGULAR TOL ± 0.5°		INITIAL REVISION: DRWN: RFC_PLMIMP 2018/10/14 APPR: MWILHITE 2000/07/24
▽ = 0	4 PLACES ±		
▽ = 0	3 PLACES ±		DOCUMENT NUMBER: SDA-90325 DOC TYPE: PSD DOC PART: 001 REVISION: AU1
▽ = 0	2 PLACES ±	0.2	
▽ = 0	1 PLACE ±	0.2	MATERIAL NUMBER: SEE TABLE CUSTOMER: GENERAL MARKET SHEET NUMBER: 2 OF 2
▽ = 0	0 PLACES ±		
■ = 0	DRAFT WHERE APPLICABLE MUST REMAIN WITHIN DIMENSIONS		THIRD ANGLE PROJECTION
▽ = 0			DRAWING: A3-SIZE
		SERIES: 90325	

RELEASE STATUS	P1	RELEASE DATE	2023/02/20 05:04:37
----------------	----	--------------	---------------------