

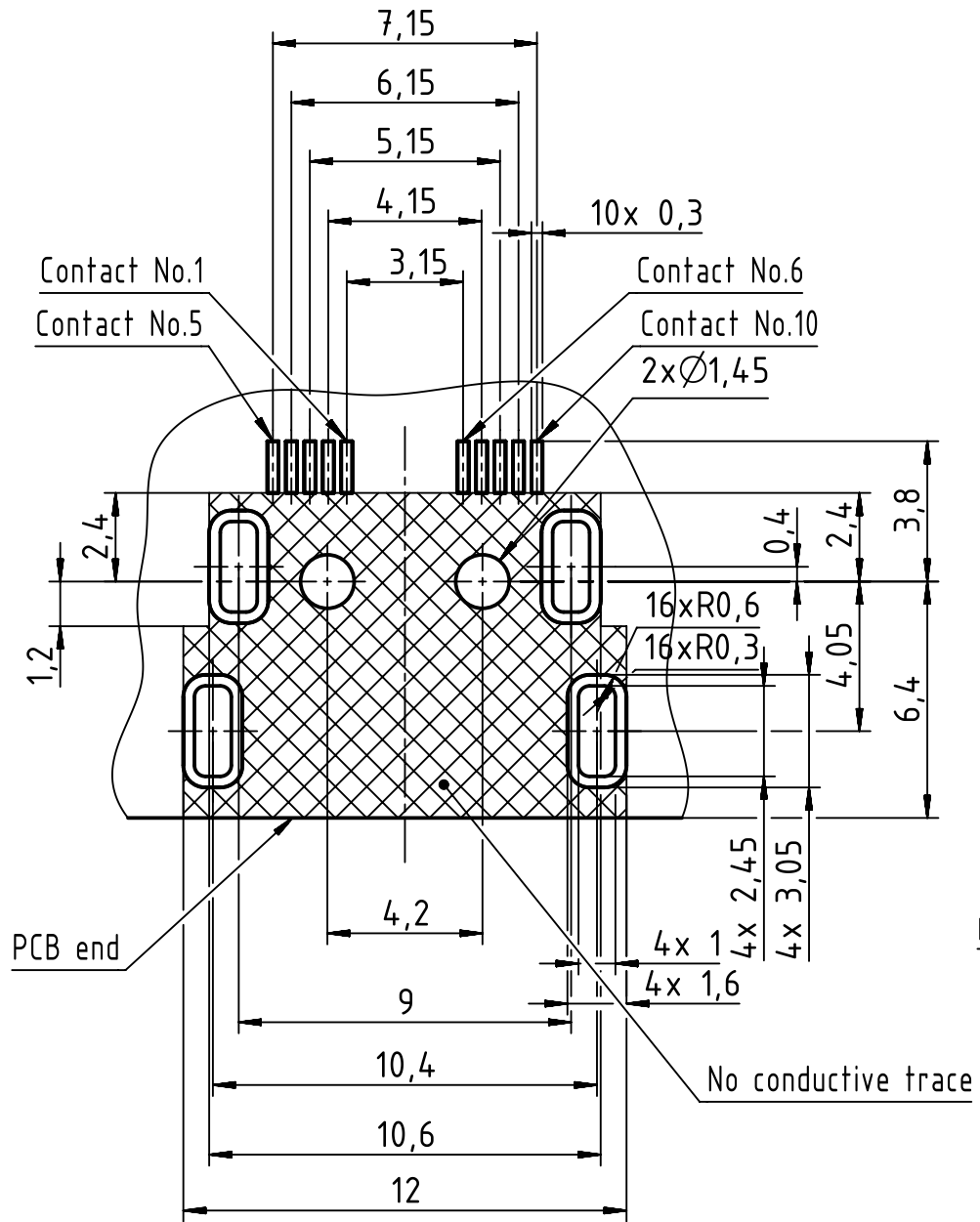
Contact No.	Signal	
	10/100 Mbit/s	1/10 Gbit/s
1	TX+	BI DA+
2	TX-	BI DA-
3	N.C.	GND
4	N.C.	BI DC+
5	N.C.	BI DC-
6	RX+	BI DB+
7	RX-	BI DB-
8	N.C.	GND
9	N.C.	BI DD+
10	N.C.	BI DD-

09452812561: Tape & reel packaging (550 pcs.)
 09452812561333: Single packaging (1 pcs.)

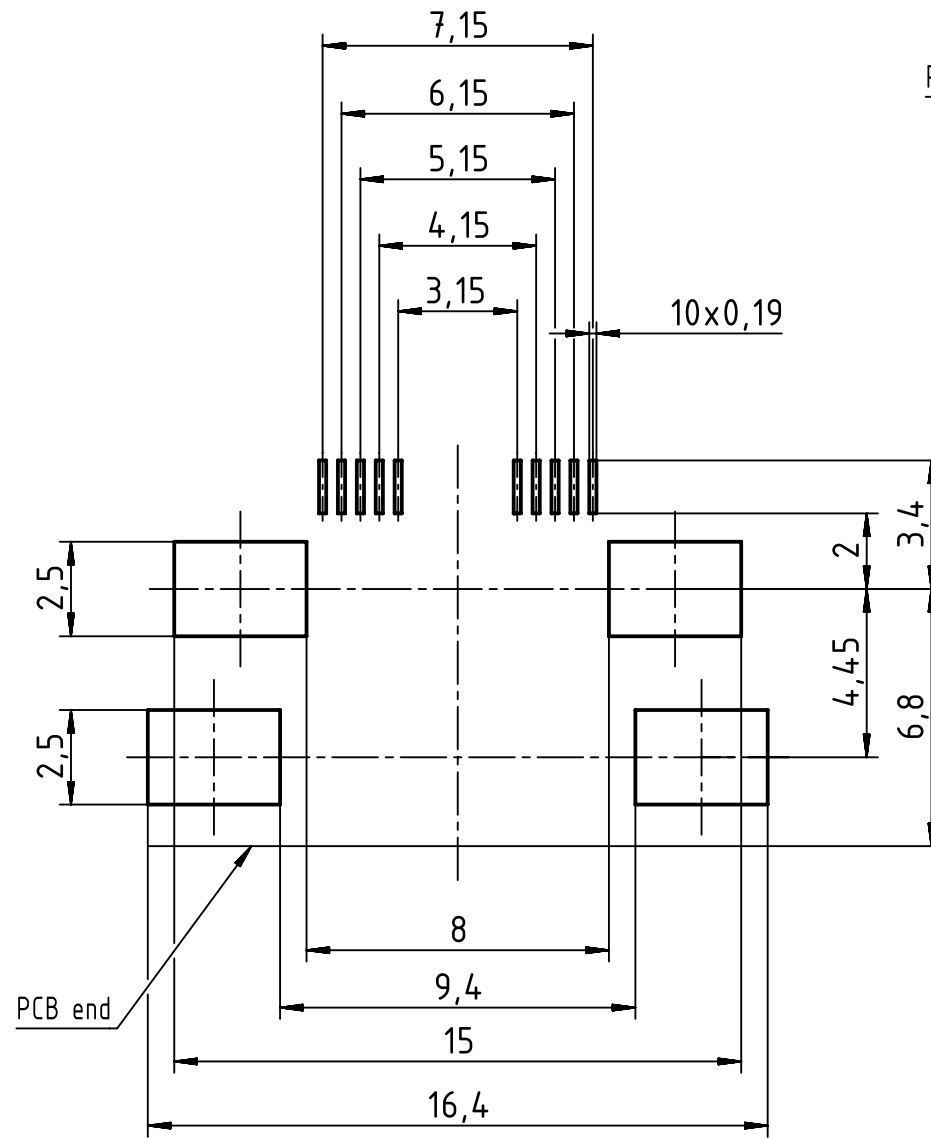
This product is mounted by reflow soldering.
 Contact material: copper alloy
 Contact area: Gold 0.2µm min.
 Lead area: Gold 0.03µm min.
 Under plating: Nickel 2µm min.

	All rights reserved Department EL PD	Created by 402602	Inspected by PRIESTER	Standardisation HOFFMANN	Date 2020-01-27	State Final Release	Ref.
							Sub.
Title ix Industrial 10A-1 jack AH							Doc-Key / ECM-Nr. 100805702/UGD/000/C 500000165338
HARTING Electronics GmbH D-32339 Espelkamp		Type TB	Number 09452812561			Rev. C	Page 1/3

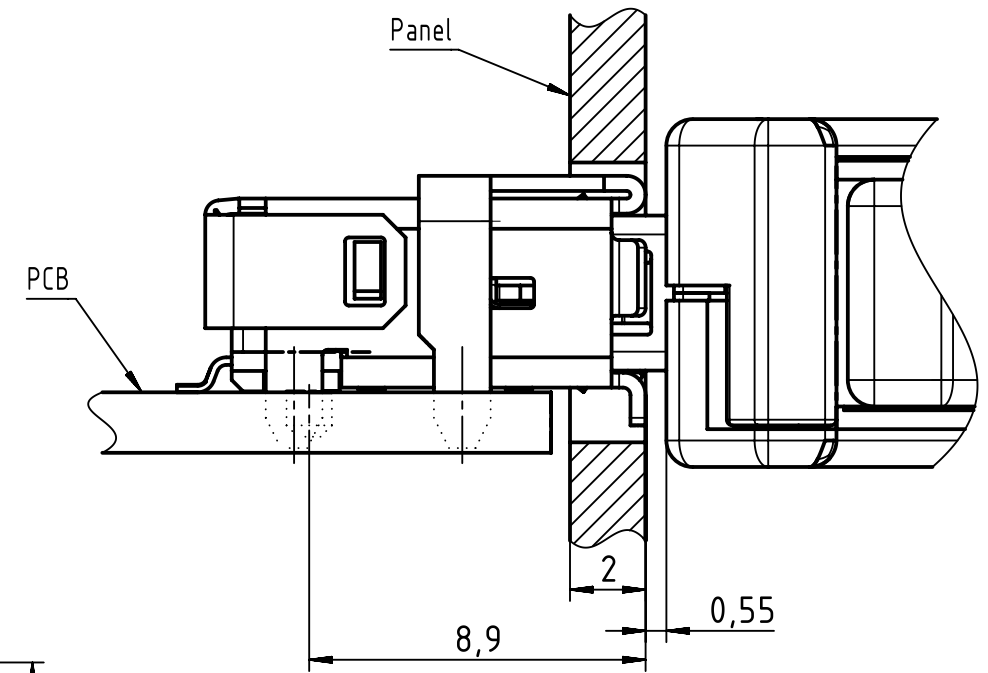
Reference PCB Layout (t=1.6)



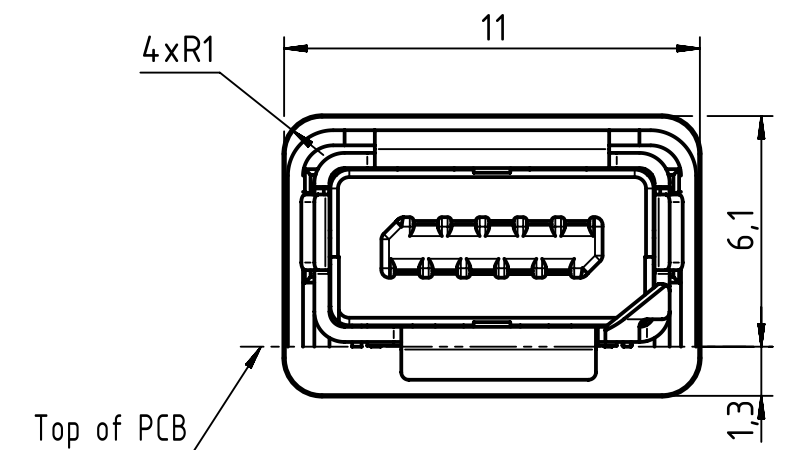
Example Metal Mask Layout (t=0.15)
(SMD pitch >14.5)



Mated condition



Reference dimensions of panel cutout

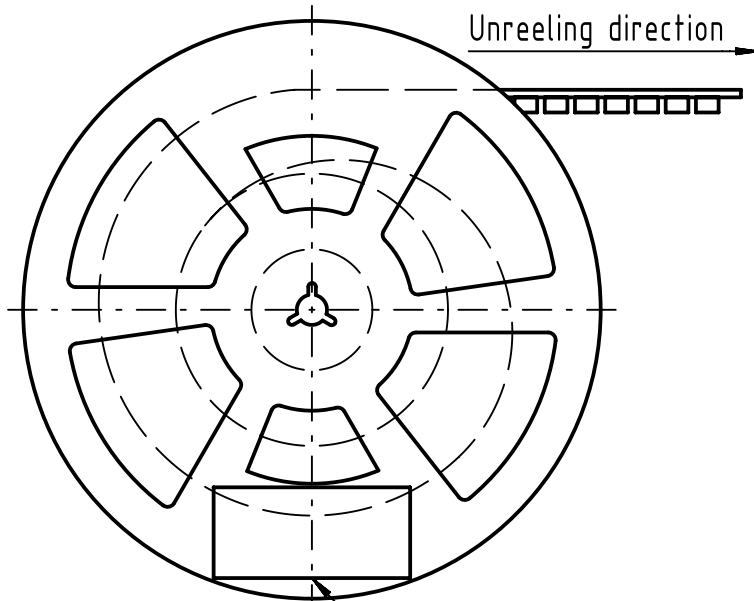
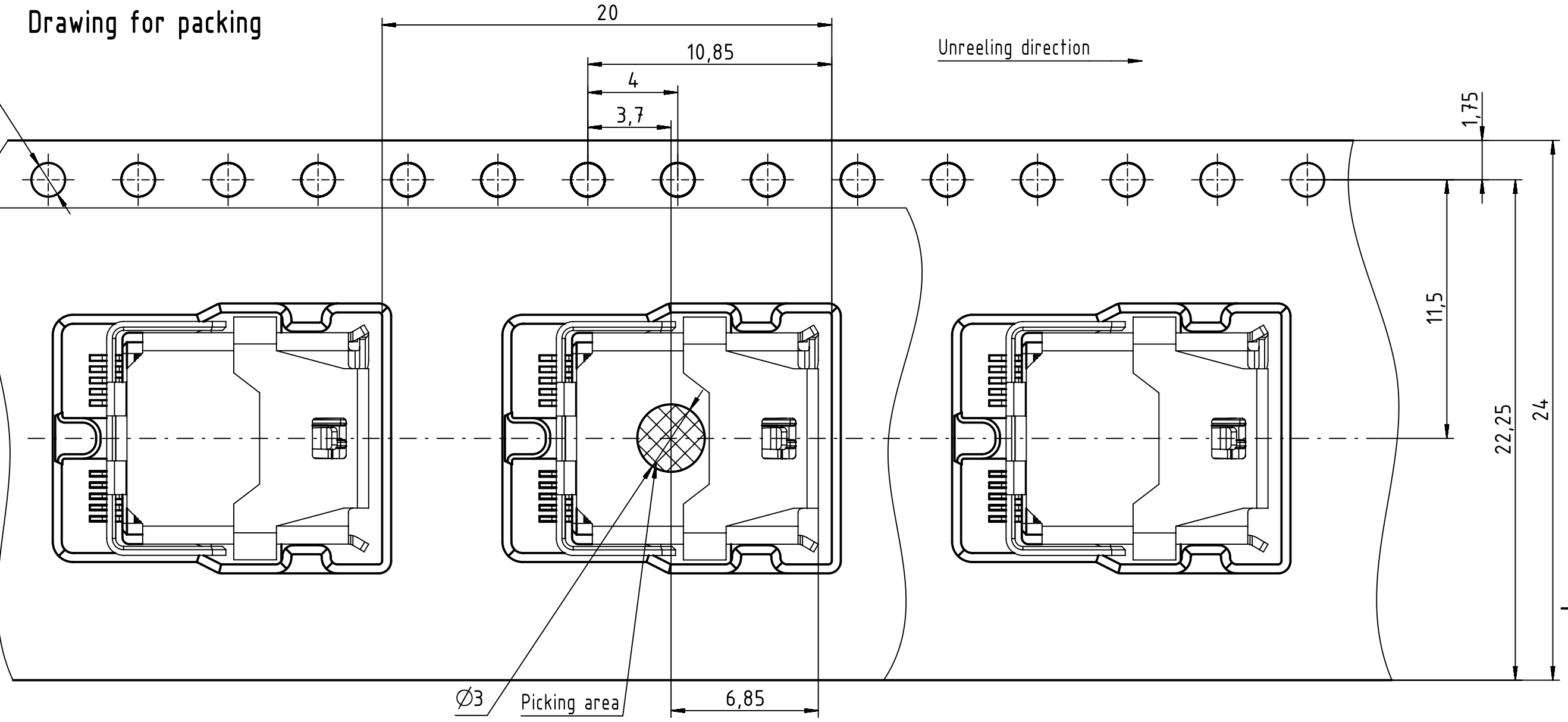


	All rights reserved	Created by 402602	Inspected by PRIESTER	Standardisation HOFFMANN	Date 2020-01-27	State Final Release
	Department EL PD	Title ix Industrial 10A-1 jack AH			Doc-Key / ECM-Nr. 100805702/UGD/000/C 500000165338	
HARTING Electronics GmbH D-32339 Espelkamp		Type TB	Number 09452812561		Rev. C	Page 2/3
All Dimensions in mm Original Size DIN A3		Scale 5:1	Free size tol.		Ref. Sub.	

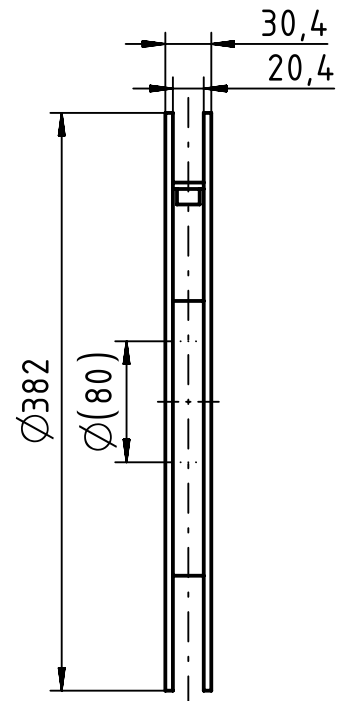
Drawing for packing

Ø1,5

Unreeling direction →



Label (Part No. Code No. Lot No. Packing quantity)



	All Dimensions in mm Original Size DIN A3		Scale 5:1	Free size tol.		Ref.	
	All rights reserved		Created by 402602	Inspected by PRIESTER	Standardisation HOFFMANN	Date 2020-01-27	State Final Release
Department EL PD		Title ix Industrial 10A-1 jack AH				Doc-Key / ECM-Nr. 100805702/UGD/000/C 500000165338	
HARTING Electronics GmbH D-32339 Espelkamp		Type TB	Number 09452812561			Rev. C	Page 3/3