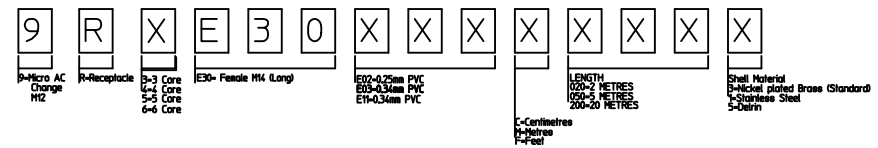


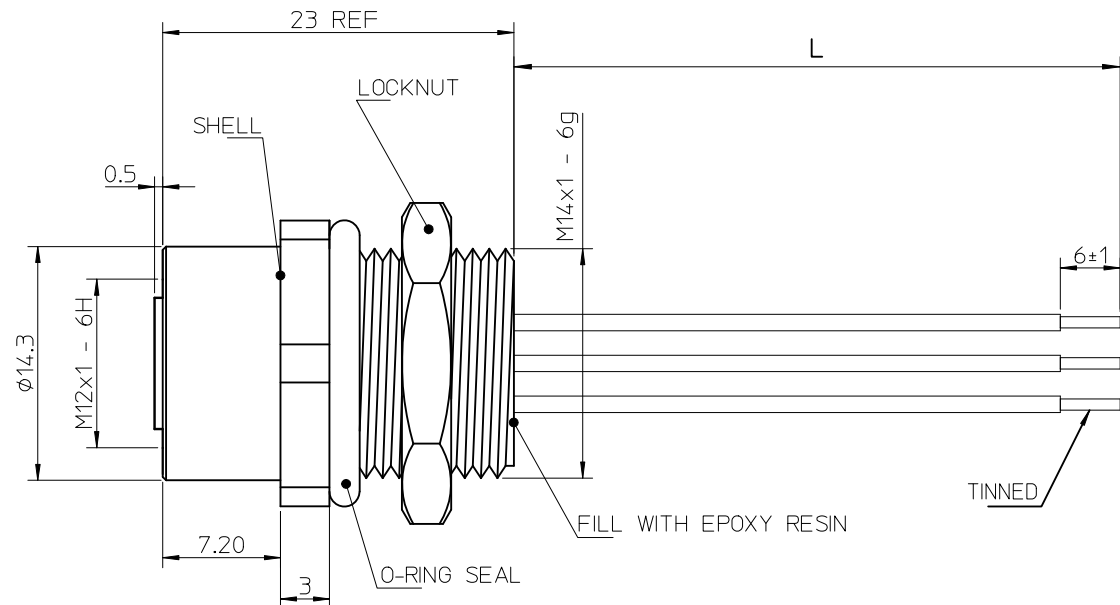
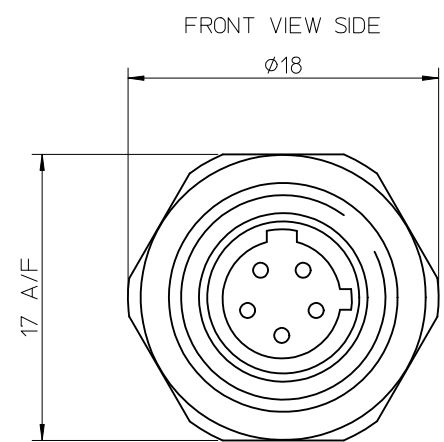
PART No MATRIX



Tablica tolerancji dlugosci

Table of length tolerances

Powyzej Over	Do-wlacznice Up to and including	Tolerancja (+) Tolerance
0	305	+19
305	915	+45
915	1830	+56
1830	3660	+89
3660	7320	+165
7320	14640	+317
14640	30500	+610
30500	>	+2% dlugosci of length



INSERT MATERIAL	PUR (30% Glass Filled)
CONTACT MATERIAL	Brass (CuZn36)
CONTACT PLATING	2um Ni, 0.70um Gold
SHELL	Brass (Bright Nickel Plate)
LOCKNUT	Brass (Bright Nickel Plate)
SEAL	Viton O-Ring
PROTECTION CLASS	IP67
VOLTAGE RATING	300V
CONTACT CURRENT RATING	4 Amps
WIRES	0.25 / 0.34 mm - PVC Sheath

ORIGINAL RELEASE EC NO: IPG2012-0960 DRWN:HWALCZAK 2012/02/14 CHKD: APPR:MDYSZEWSKA 2012/05/28 REV A	QUALITY SYMBOLS ▽=0 ◻=0	GENERAL TOLERANCES (UNLESS SPECIFIED) <table border="1"> <thead> <tr> <th></th> <th>mm</th> <th>INCH</th> </tr> </thead> <tbody> <tr><td>4 PLACES</td><td>± ---</td><td>± ---</td></tr> <tr><td>3 PLACES</td><td>± ---</td><td>± ---</td></tr> <tr><td>2 PLACES</td><td>± 0.05</td><td>± ---</td></tr> <tr><td>1 PLACE</td><td>± 0.1</td><td>± ---</td></tr> </tbody> </table>		mm	INCH	4 PLACES	± ---	± ---	3 PLACES	± ---	± ---	2 PLACES	± 0.05	± ---	1 PLACE	± 0.1	± ---	DIMENSION STYLE MM ONLY DRAWN BY: HWALCZAK DATE: 2012/02/14 CHECKED BY: _____ DATE: _____ APPROVED BY: MDYSZEWSKA DATE: 2012/05/28 MATERIAL NO.	SCALE: --- DESIGN UNITS: METRIC FIRST ANGLE PROJECTION
		mm	INCH																
	4 PLACES	± ---	± ---																
	3 PLACES	± ---	± ---																
2 PLACES	± 0.05	± ---																	
1 PLACE	± 0.1	± ---																	
DRAFT WHERE APPLICABLE MUST REMAIN WITHIN DIMENSIONS		SEE PN KEY	TITLE: REC M12 XP CC FE PVC XM FM WIR BRA MOLEX INCORPORATED DOCUMENT NO. SD-120074-003 SHEET NO. 1 OF 1																
THIS DRAWING CONTAINS INFORMATION THAT IS PROPRIETARY TO MOLEX INCORPORATED AND SHOULD NOT BE USED WITHOUT WRITTEN PERMISSION																			