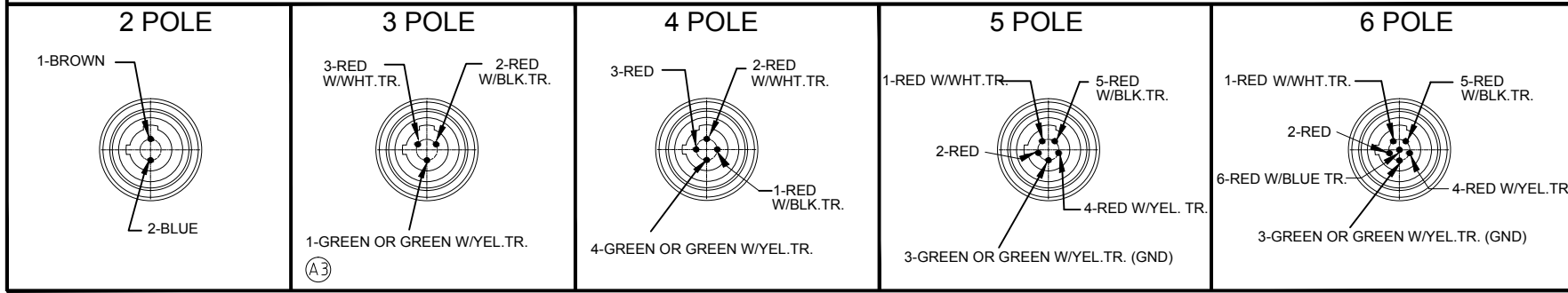


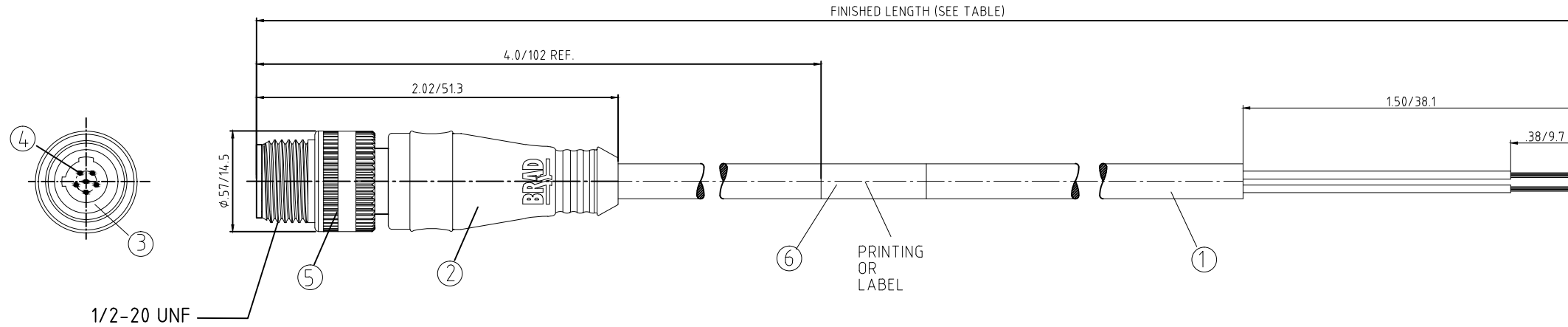
FRONT VIEW - MALE INSERT WIRING COLOR CODE



70X006A03FXXX

POLES
3
4
5
6

LENGTH
F010 - 1 FT
F050 - 5 FT
F100 - 10 FT



POL	MATERIAL NUMBER	ENGINEERING NUMBER	FINISHED LENGTH
3	1200720292	703006A03F060	6.00' +3.50" -0 [1.8M +88.9 -0]

POL	MATERIAL NUMBER	ENGINEERING NUMBER	FINISHED LENGTH
4	1200720435	704006A03F060	6.00' +3.50" -0 [1.8M +88.9 -0]

POL	MATERIAL NUMBER	ENGINEERING NUMBER	FINISHED LENGTH
5	1200720546	705006A03F060	6.00' +3.50" -0 [1.8M +88.9 -0]

POL	MATERIAL NUMBER	ENGINEERING NUMBER	FINISHED LENGTH
6	120072XXXX	706006A03FXXX	---

ITEM	COMPONENT	MATERIAL	FINISH
6	LABLE	MYLAR	BLACK/YELLOW
5	COUPLING NUT	ZINC DIE CAST/ BRASS	BLACK E-COATED/ NICKEL PLATED
4	PIN CONTACT	COPPER ALLOY	GOLD OVER NICKEL
3	INSERT	NYLON	BLACK
2	OVERMOLD	PVC	YELLOW
1	CABLE- 18 AWG (41x#34 COPPER STRANDING) 2-6 CONDUCTORS 300V	PVC	YELLOW

CONNECTOR SPECIFICATION:

VOLTAGE RATING	250 VAC/VDC
AMPERAGE RATING	max. 4 AMPS
PROTECTION	IP67
OPERATING TEMPERATURE	-20°C TO 105°C
UL CERTIFICATIONS	UL LISTED, FILE NO. E152210
CSA CERTIFICATIONS	CSA CERTIFIED, FILE NO. LR6837

CORRECTED 3P PINOUT
EC NO: IPG2019-0062
8/8/18
DRWN: RSTONE
2018/08/10
CHKD: C CHRAST
2010/03/09
APPR: BWOODMAN

QUALITY SYMBOLS
▽ = 0
▽ = 0
DESCRIPTION
REV

GENERAL TOLERANCES (UNLESS SPECIFIED)
4 PLACES ± ---
3 PLACES ± ---
2 PLACES ± ---
1 PLACE ± 0.3
ANGULAR ± --- °
DRAFT WHERE APPLICABLE MUST REMAIN WITHIN DIMENSIONS

DIMENSION STYLE
IN/MM
DRAWN BY DATE
LSTEMMLE 2010/02/08
CHECKED BY DATE
FP 2010/03/09
APPROVED BY DATE
FPACHER 2010/03/09
MATERIAL NO.
SEE P/N TABLES

SCALE 1:1
DESIGN UNITS METRIC
THIRD ANGLE PROJECTION
MICRO-CHANGE CORDSET
2-6P DUAL KEYWAY MA STR
#18/2-6 YELLOW PVC CABLE
MOLEX INCORPORATED
DOCUMENT NO. SD-120072-016
SHEET NO. 1 OF 1
THIS DRAWING CONTAINS INFORMATION THAT IS PROPRIETARY TO MOLEX INCORPORATED AND SHOULD NOT BE USED WITHOUT WRITTEN PERMISSION