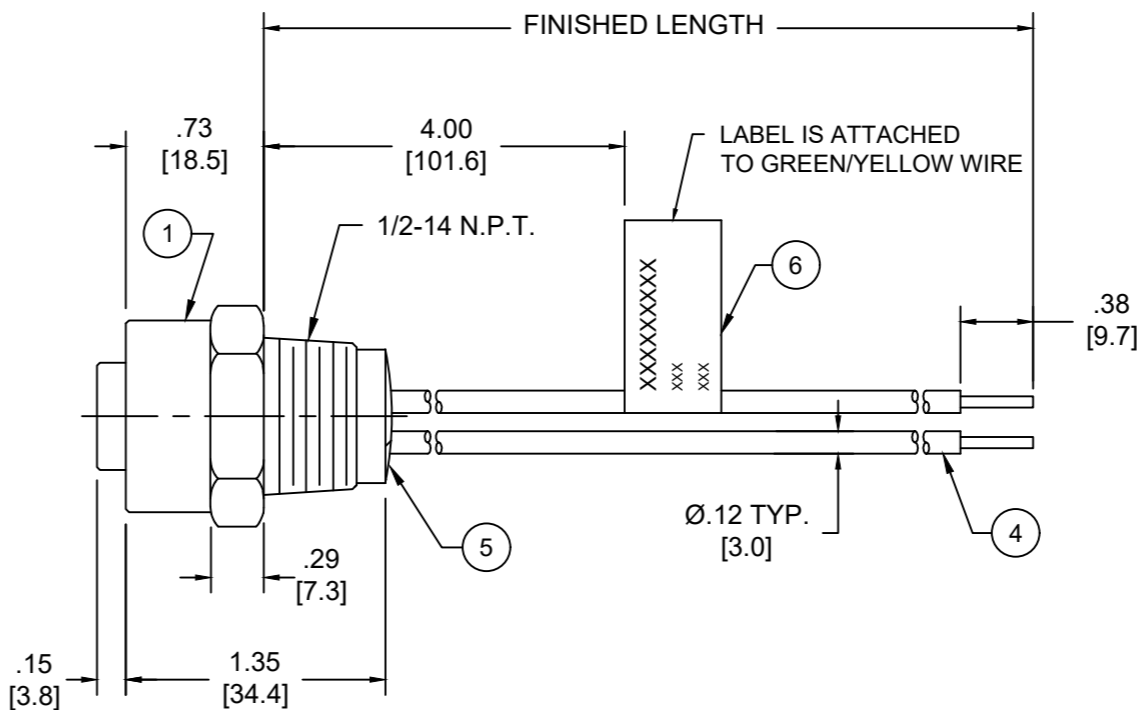
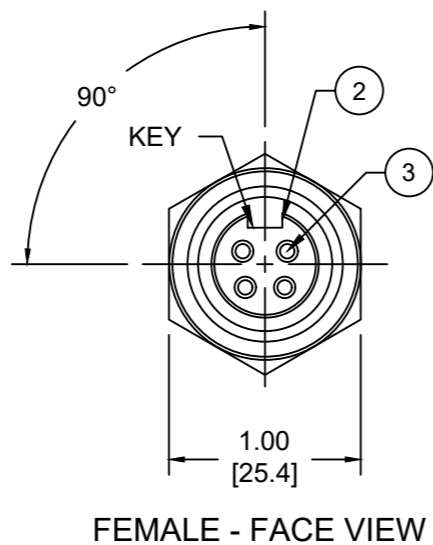
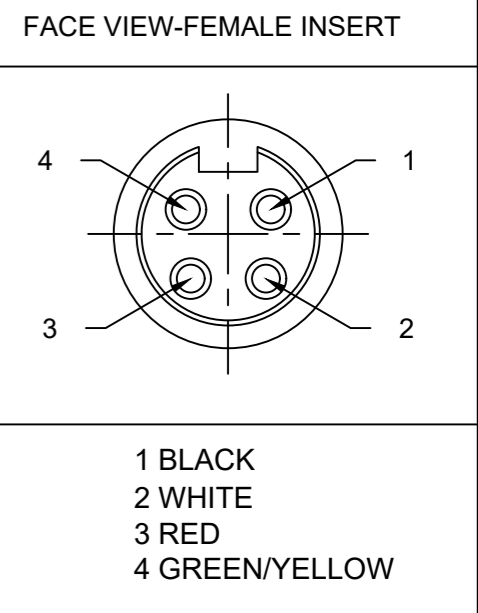


PART NO	ENGINEERING NO.	FINISHED LENGTH
1300130291	1R4000A20M010	1M [3 FT 3 IN]
1300130293	1R4000A20M015	1.5M [4 FT 11 IN]
1300130294	1R4000A20M020	2M [6 FT 7 IN]
1300130295	1R4000A20M030	3M [9 FT 10 IN]
1300130296	1R4000A20M050	5M [16 FT 5 IN]
1300130287	1R4000A20F020	2 FT [0.6M]

PART NO. MATRIX
1R4000A20M010

FINISHED LENGTH:
A120= 12 IN.
F020= 2 FEET
M005= 0.5 METER
M010= 1 METER
M100= 10 METER



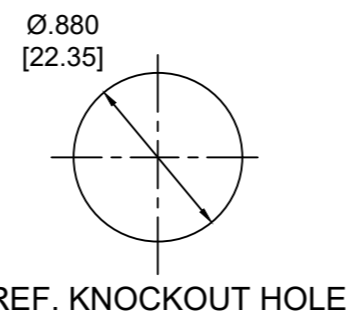
NOTES:

- MATERIAL: AS NOTED
- FINISH: AS NOTED
- ELECTRICAL:
VOLTAGE: 483V PER IEC60664
600V PER UL2238
CURRENT: 10A
- TEMP RATING: -20°TO +105°C
- PROTECTION: IP67 (WHEN MATED)
- COUPLING THREAD: 7/8-16UN
- CSA CERTIFIED FILE: LR6837
- ALL DIMENSIONS ARE FOR REFERENCE
UNLESS TOLERANCED OR NOTED OTHERWISE

CABLE LENGTH TOLERANCES

<.3M [1FT]:	+19mm-0 [+ .75in-0]
.3 - .9M [1 - 3FT]:	+44.5mm-0 [+1.75in-0]
.9 - 1.8M [3 - 6FT]:	+55.6mm-0 [+2.19in-0]
1.8 - 3.7M [6 - 12FT]:	+88.9mm-0 [+3.50in-0]
3.7 - 7.3M [12 - 24FT]:	+165.1mm-0 [+6.50in-0]
7.3-14.6M [24 - 48FT]:	+317.5mm-0 [+12.50in-0]
14.6 - 30.5M [48-100FT]:	+622.3mm-0 [+24.50in-0]
OVER 30M [100FT]	+2% OF FINISHED LENGTH

6	FLAG LABEL	VINYL	BLACK/YELLOW
5	POTTING MATERIAL	EPOXY	
4	WIRE, 16 AWG (UL1015)	PVC INSULATION	SEE FACE VIEW
3	CONTACT SOCKET	COPPER ALLOY	GOLD PLATED
2	FEMALE INSERT	TPE	YELLOW
1	RECEPTACLE SHELL	ZINC DIE-CAST	NICKEL PLATED
ITEM	DESCRIPTION	MATERIAL	FINISH



FUNCTIONAL SYMBOLS	THIS DRAWING CONTAINS INFORMATION THAT IS PROPRIETARY TO MOLEX ELECTRONIC TECHNOLOGIES, LLC AND SHOULD NOT BE USED WITHOUT WRITTEN PERMISSION		CURRENT REV DESC: INITIAL RELEASE		
	$\nabla = 0$ $\nabla / C = 0$ $\nabla / P = 0$	DIMENSION UNITS	SCALE		
	INCH/MM	NTS			
	GENERAL TOLERANCES (UNLESS SPECIFIED)				
		mm	INCH		
	4 PLACES	±----	±----		
	3 PLACES	±----	±----		
	2 PLACES	±----	±----		
	1 PLACE	±----	±----		
	0 PLACES	±----	±----		
	ANGULAR TOL ± ---- °				
	DRAFT WHERE APPLICABLE MUST REMAIN WITHIN DIMENSIONS				
	THIRD ANGLE PROJECTION				
	DRAWING				
	SERIES				
	MATERIAL NUMBER				
	CUSTOMER				
	SHEET NUMBER				

EC NO: 673395
DRWN: RSTONE 2021/08/11
CHK'D: CCHRSTKA 2021/08/11
APPR: BWOODMAN 2021/08/18

INITIAL REVISION:
DRWN: RSTONE 2021/08/11
APPR: BWOODMAN 2021/08/18

DOCUMENT NUMBER: 1300130291
DOC TYPE: PSD
DOC PART: 000
REVISION: A

MATERIAL NUMBER: 130013
CUSTOMER: GENERAL MARKET
SHEET NUMBER: 1 OF 1