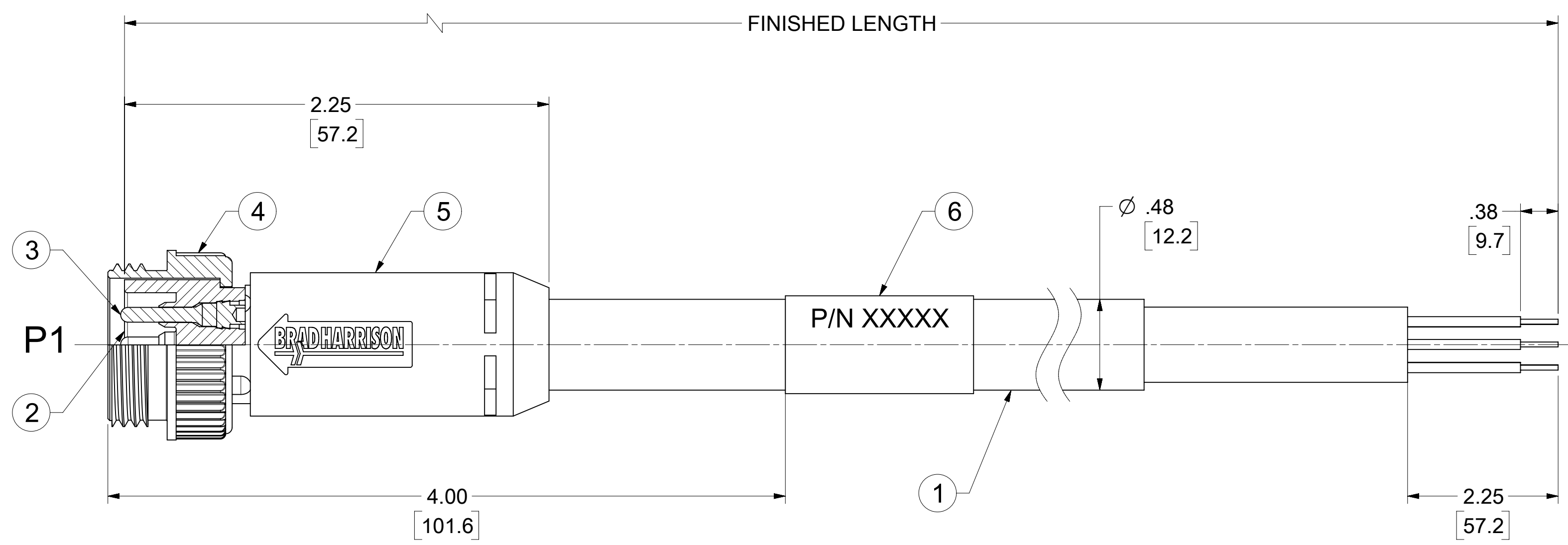
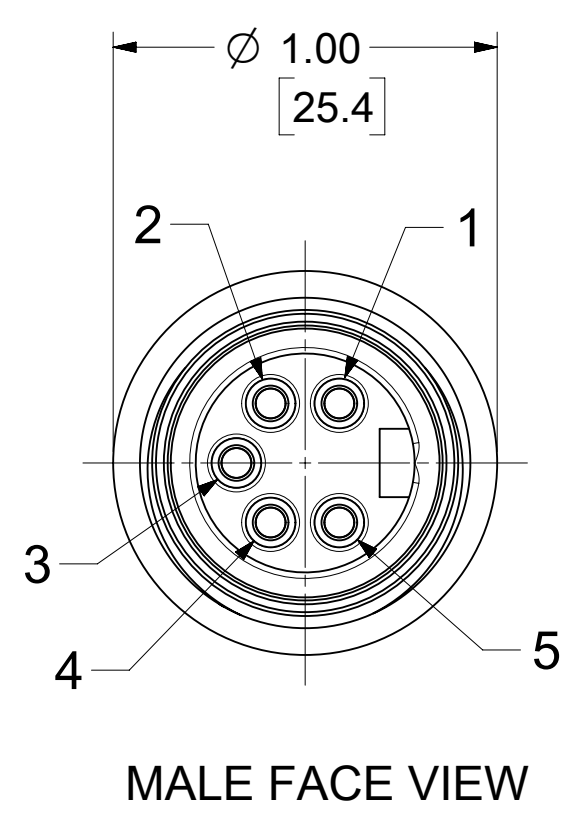
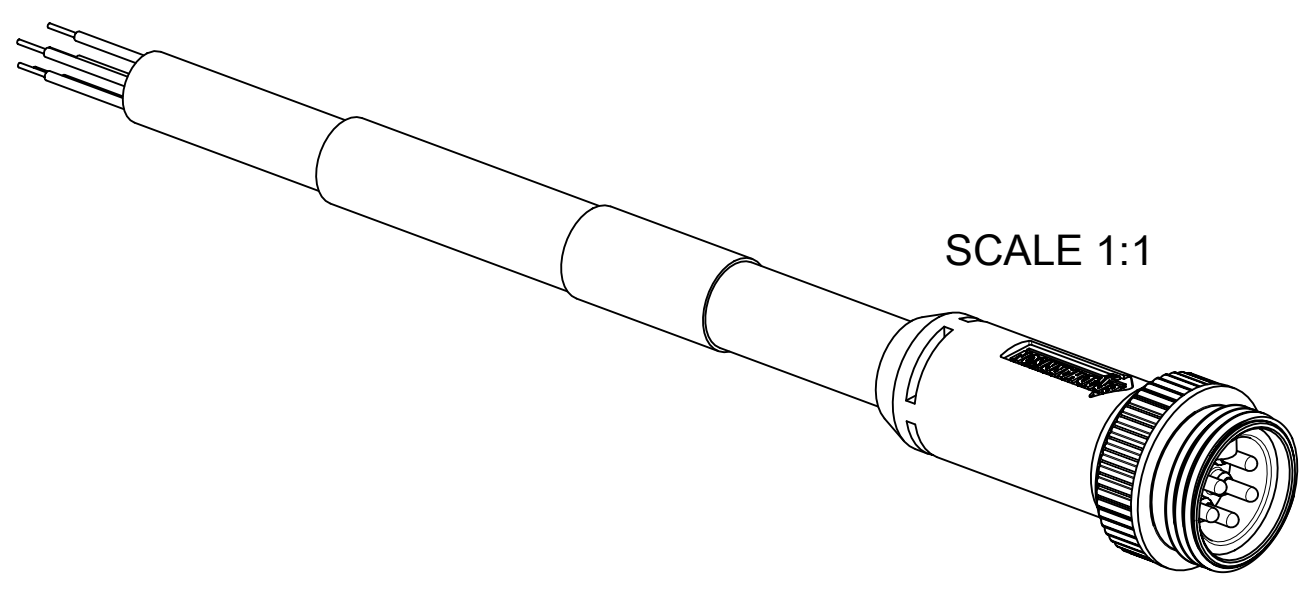


| MATERIAL NO. | ENGINEERING NO. | FINISHED LENGTH |
|--------------|-----------------|----------------------|
| 1300240028 | DN01A-M010 | 1 M (3 FT 3.37 IN) |
| 1300240031 | DN01A-M020 | 2 M (6 FT 6.74 IN) |
| 1300240034 | DN01A-M050 | 5 M (16 FT 4.85 IN) |

CABLE LENGTH TOLERANCES
<.3M [1FT]: +19mm-0 [+.75in-0]
.3 - .9M [1 - 3FT]: +44.5mm-0 [+1.75in-0]
.9 - 1.8M [3 - 6FT]: +55.6mm-0 [+2.19in-0]
1.8 - 3.7M [6 - 12FT]: +88.9mm-0 [+3.50in-0]
3.7 - 7.3M [12 - 24FT]: +165.1mm-0 [+6.50in-0]
7.3-14.6M [24 - 48FT]: +317.5mm-0 [+12.50in-0]
14.6 - 30.5M [48-100FT]: +622.3mm-0 [+24.50in-0]
OVER 30M [100FT] +2% OF FINISHED LENGTH



- NOTES:**
1. MATERIAL: AS NOTED
 2. FINISH: AS NOTED
 3. ELECTRICAL:
VOLTAGE RATING: 300V
CURRENT: 4A
 4. TEMP RATING: -20°C TO +80°C (C)
 5. PROTECTION: IP67 (WHEN MATED) (C)
 6. CSA CERTIFIED FILE: LR6837 (C)
UL RECOGNIZED FILE: E152210 (C)
 7. COUPLING THREAD: 7/8"-16UN
 8. MATES WITH: MINI-CHANGE, A-SIZE 5 POLE RECEPTACLE
 9. ALL DIMS ARE FOR REFERENCE UNLESS TOLERANCED OR NOTED OTHERWISE

WIRING DIAGRAM

| P1 | DESCRIPTION |
|----|-------------|
| 1 | DRAIN |
| 2 | RED +V |
| 3 | BLACK -V |
| 4 | WHITE CAN H |
| 5 | BLUE CAN L |

PART NUMBER LEGEND (C)

DN01A-M010

FINISHED LENGTH
M005= 0.5 M
M010= 1 M
M100= 10M

| ITEM | DESCRIPTION | MATERIAL | FINISH |
|------|------------------------------------|---------------|------------------|
| 6 | WRAP LABEL | VINYL | BLACK/YELLOW |
| 5 | OVERMOLD | TPE | GRAY |
| 4 | COUPLING NUT | ZINC DIE CAST | BLACK E-COAT |
| 3 | PIN CONTACT | Cu ALLOY | GOLD OVER NICKEL |
| 2 | MALE INSERT | TPE | BLACK |
| 1 | CABLE, DEV-NET, TRUNK, #18-2, 15-2 | PVC JACKET | GRAY |
| ITEM | DESCRIPTION | MATERIAL | FINISH |

| | | | | |
|--|---|------------------------|---|-------------------|
| FUNCTIONAL SYMBOLS FA=0 FC=0 FP=0 | THIS DRAWING CONTAINS INFORMATION THAT IS PROPRIETARY TO MOLEX ELECTRONIC TECHNOLOGIES, LLC AND SHOULD NOT BE USED WITHOUT WRITTEN PERMISSION | | CURRENT REV DESC: UPDATED ITEM #2.5 WERE PVC & MATERIAL P/N TABLE, REMOVED PIN CONTACT TO AVOID DUPLICATION, ADDED CSA, UL, TEMP RATING, IP RATING, TOL. CHART & PART NUMBER LEGEND | |
| | DIMENSION UNITS | SCALE | EC NO: 698297 | |
| | INCH | 2:1 | DRWN: AKABADI | 2021/10/08 |
| | GENERAL TOLERANCES (UNLESS SPECIFIED) | | CHK'D: RSTONE | 2022/03/16 |
| DIVISIONAL SYMBOLS | 4 PLACES | MM | INCH | APPR: BWOODMAN |
| | 3 PLACES | ± | ± | 2022/03/26 |
| | 2 PLACES | ± | ± | INITIAL REVISION: |
| | 1 PLACE | ± | ± | DRWN: RSTONE |
| 0 PLACES | ± | ± | 2009/04/24 | 2009/04/29 |
| ANGULAR TOL ± ° | | THIRD ANGLE PROJECTION | | DRAWING SERIES |
| DRAFT WHERE APPLICABLE MUST REMAIN WITHIN DIMENSIONS | | C-SIZE | | 130024 |

| | | | | |
|-----------------|----------------|--------------|----------|----------|
| DOCUMENT NUMBER | | DOC TYPE | DOC PART | REVISION |
| SD-130024-001 | | PSD | 001 | C |
| MATERIAL NUMBER | CUSTOMER | SHEET NUMBER | | |
| SEE TABLE | GENERAL MARKET | 1 OF 1 | | |