

6

5

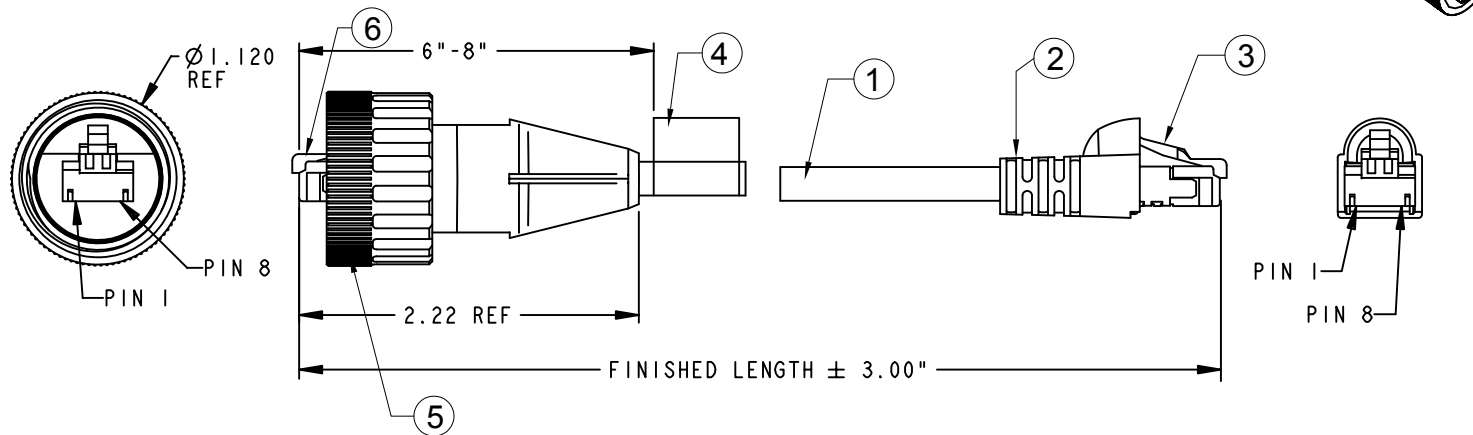
4

3

2

1

| PART NUMBER | ENGINEERING NO. | LENGTH ± TOLERANCE |
|-------------|-----------------|-------------------------------------|
| 1300500371 | ENS2135M010 | 3' 3" +2.19"/-0" [1M +55.6/-0 mm] |



NOTES:

- 1) MATERIAL: SEE TABLE
- 2) FINISHES: SEE TABLE
- 3) CABLE: #24/8 SHIELDED TWISTED PAIR, PUR
- 4) ELECTRICAL DATA:
ACCORDING TO CAT5e ETHERNET STANDARD
MAX. VOLTAGE: 30V
MAX. CURRENT 1.5A
- 5) ENVIRONMENTAL:
PROTECTION IP67
TEMPERATURE RANGE: -20°C TO +80°C
- 6) WRAP LABEL IS MARKED WITH P/N & DATE CODE.
- 7) ASSEMBLY IS RoHS COMPLIANT.

WIRE LIST

| PIN # | COLOR |
|-------|--------------|
| 1 | WHITE/GREEN |
| 2 | GREEN |
| 3 | WHITE/ORANGE |
| 4 | BLUE |
| 5 | WHITE/BLUE |
| 6 | ORANGE |
| 7 | WHITE/BROWN |
| 8 | BROWN |
| GND | DRAIN WIRE |

| ITEM | QTY. | DESCRIPTION | MATERIAL | FINISH |
|------|------|----------------------|---------------|--------------|
| 6 | 1 | RJ45 PLUG | POLYCARBONATE | CLEAR |
| 5 | 1 | COUPLING NUT | ABS | BLACK |
| 4 | 1 | LABEL | PLASTIC FILM | BLACK/YELLOW |
| 3 | 1 | RJ45 PLUG | POLYCARBONATE | CLEAR |
| 2 | 1 | BOOT | PVC | BLACK |
| 1 | 1 | ETHERNET CABLE-CAT5E | PUR JACKET | BLACK |

| | | | | | | |
|---|-----------------|---------------------------------------|-----------------|-------|--------------|------------------------|
| RELEASE DRAWING EC NO: WNA2010-0442 DRWN: TVICKERS 2010/01/18 CHKD: B.WOODMA APPR: DTTITUS 2010/01/19 | QUALITY SYMBOLS | GENERAL TOLERANCES (UNLESS SPECIFIED) | DIMENSION STYLE | SCALE | DESIGN UNITS | THIRD ANGLE PROJECTION |
| | ▽=0 | mm INCH | IN | 1:1 | INCH | |
| | ▽C=0 | 4 PLACES ±--- | DRAWN BY DATE | | | |
| | | 3 PLACES ±--- | CHECKED BY DATE | | | |

| | | | | | |
|--|-------|-------------------|------------|---|---------------|
| 2 PLACES ±0.13 | ±.010 | APPROVED BY DATE | | | |
| 1 PLACE ±0.25 | ±.020 | DTITUS 2010/01/19 | | | |
| ANGULAR ±1/2° | | MATERIAL NO. | 1300500140 | DOCUMENT NO. | SD-130050-033 |
| DRAFT WHERE APPLICABLE MUST REMAIN WITHIN DIMENSIONS | | SIZE | A | THIS DRAWING CONTAINS INFORMATION THAT IS PROPRIETARY TO MOLEX INCORPORATED AND SHOULD NOT BE USED WITHOUT WRITTEN PERMISSION | |

| | | | |
|--------------------|--|---|--|
| TITLE | | ETHERNET MMJ IND./RJ45 568-A SHIELD ASSEMBLY PUR STRANDED CABLE | |
| MOLEX INCORPORATED | | SHEET NO. 1 OF 1 | |

| | | | | | | | |
|--------------|--|------------|--|--------------|--|---------------|--|
| MATERIAL NO. | | 1300500140 | | DOCUMENT NO. | | SD-130050-033 | |
|--------------|--|------------|--|--------------|--|---------------|--|

6

5

4

3

2

1