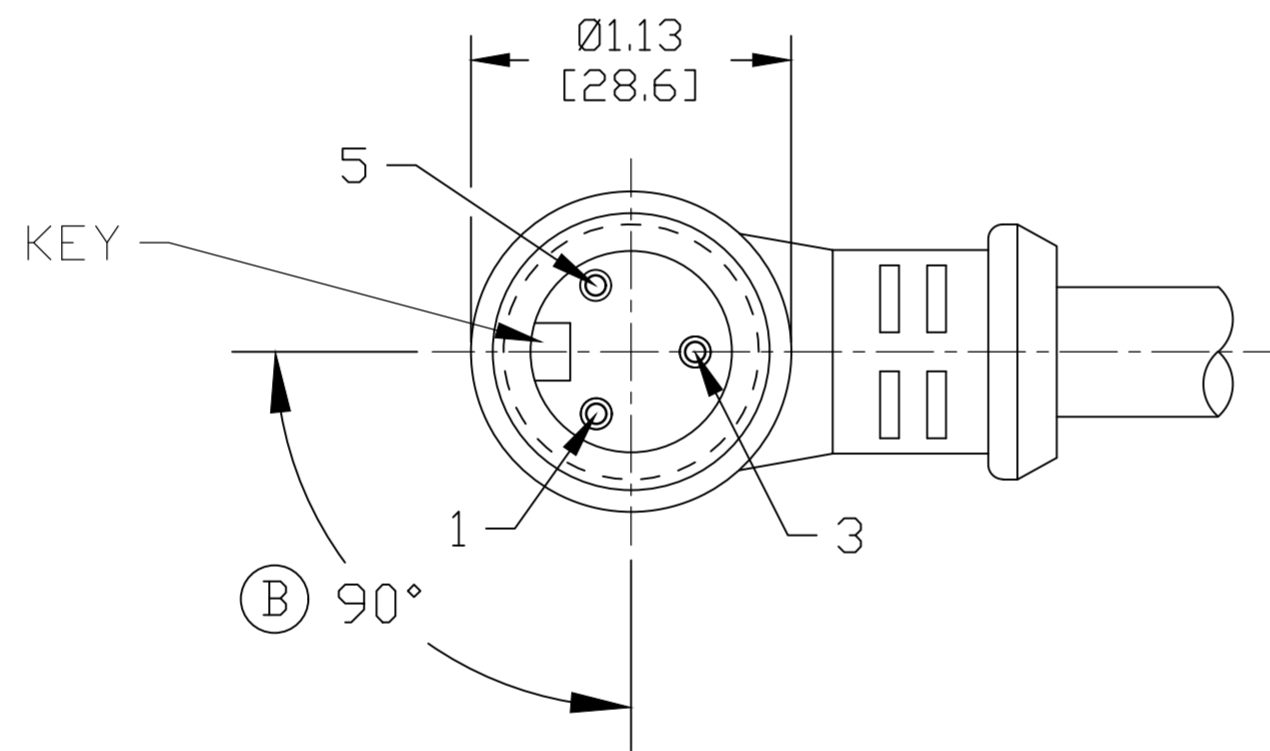
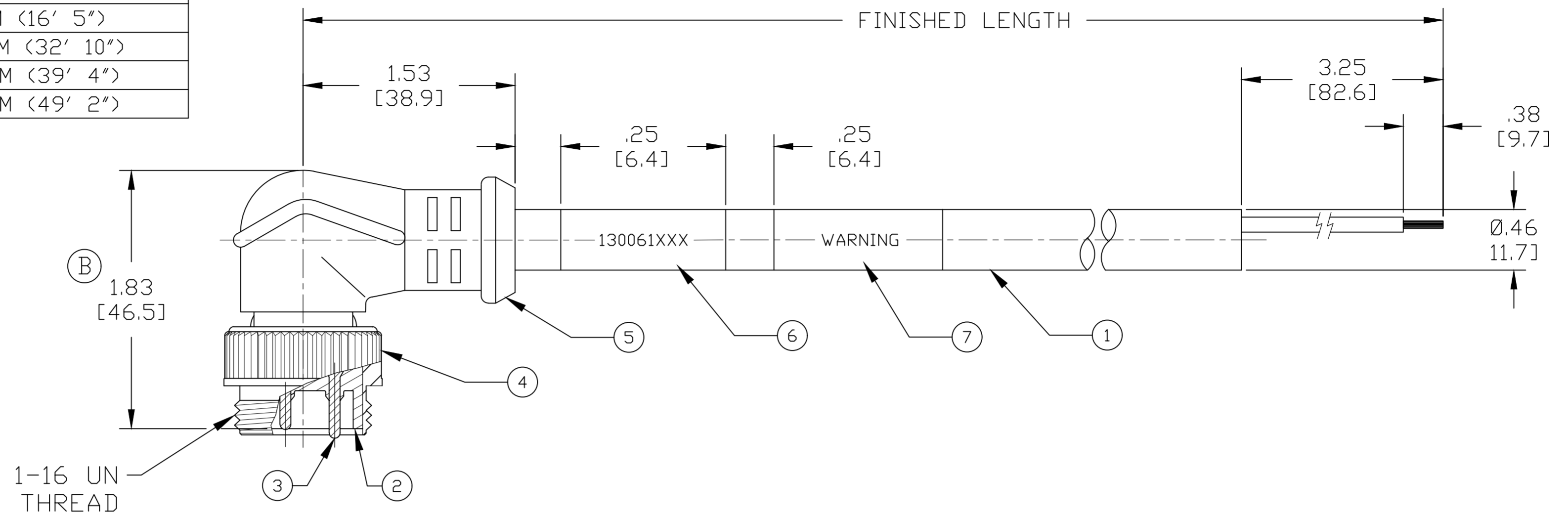


PART NO.	ENGINEERING NO.	FINISHED LENGTH
1300611080	203007A45M030	3M (9' 10")
1300611120	203007A45M050	5M (16' 5")
1300610224	203007A45M100	10M (32' 10")
1300611084	203007A45M120	12M (39' 4")
1300610229	203007A45M150	15M (49' 2")



- 1 BLACK
- 3 GREEN/YELLOW
- 5 WHITE

MALE FACE VIEW

PART NO. LEGEND

203007A45M030
 CABLE TYPE: 16/3 TC-ER
 FINISHED LENGTH:
 M005= 0.5 METER
 M030= 3 METER
 M120= 12 METER

- NOTES:
- MATERIAL: AS NOTED
 - FINISH: AS NOTED
 - ELECTRICAL:
VOLTAGE: 600V
CURRENT: 13A
 - TEMP RATING: -25°TO +80°C
 - PROTECTION: IP67 (WHEN MATED)
 - UL LISTED FILE: E258922
 - ALL DIMS ARE FOR REFERENCE UNLESS TOLERANCED OR NOTED OTHERWISE

CABLE LENGTH TOLERANCES	
>.3M [1FT]:	+19mm-0 [+0.75in-0]
.3 - .9M [1 - 3FT]:	+44.5mm-0 [+1.75in-0]
.9 - 1.8M [3 - 6FT]:	+55.6mm-0 [+2.19in-0]
1.8 - 3.7M [6 - 12FT]:	+88.9mm-0 [+3.50in-0]
3.7 - 7.3M [12 - 24FT]:	+165.1mm-0 [+6.50in-0]
7.3-14.6M [24 - 48FT]:	+317.5mm-0 [+12.50in-0]
14.6 - 30.5M [48-100FT]:	+622.3mm-0 [+24.50in-0]
OVER 30M [100FT]	+2% OF FINISHED LENGTH

ITEM	DESCRIPTION	MATERIAL	FINISH
7	WARNING LABEL	VINYL	ORANGE/BLACK
6	WRAP LABEL	VINYL	BLACK/YELLOW
5	OVERMOLD	TPE	GRAY
4	COUPLING NUT	ZINC DIE CAST	BLACK ANODIZE
3	CONTACT PIN	COPPER ALLOY	GOLD PLATED
2	MALE INSERT, 3P	TPE	BLACK
1	CABLE, 16/3 TC-ER	PVC JACKET	GRAY, BLACK STRIPE
ITEM	DESCRIPTION	MATERIAL	FINISH

THIS DRAWING CONTAINS INFORMATION THAT IS PROPRIETARY TO MOLEX ELECTRONIC TECHNOLOGIES, LLC AND SHOULD NOT BE USED WITHOUT WRITTEN PERMISSION									
FUNCTIONAL SYMBOLS	DIMENSION UNITS	SCALE	CURRENT REV DESC: O-MOLD WAS BLACK, O-MOLD DIM WAS 1.88, DIMS CHANGED TO IN/MM, ADD 90 DEG KEY ORIENTATION						
	INCH/MM	NTS							
DIVISIONAL SYMBOLS	GENERAL TOLERANCES (UNLESS SPECIFIED)		EC NO: 701133						
			4 PLACES	±----	±----	DRWN: RSTONE	2022/03/28	BRAD POWER CABLE ASSEMBLY	
		3 PLACES	±----	±----	CHK'D: ALEON01	2022/03/29	3 POLE, MALE 90 DEG, SINGLE KEY, 16AWG, ADD 90 DEG KEY ORIENTATION		
		2 PLACES	±----	±----	APPR: BWOODMAN	2022/03/30	PRODUCT CUSTOMER DRAWING		
		1 PLACE	±----	±----	INITIAL REVISION:				
		0 PLACES	±----	±----	DRWN: RSTONE	2018/06/18	DOCUMENT NUMBER		
		ANGULAR TOL ± ---- °			APPR: BWOODMAN	2018/06/21	SD-130061-042		
	DRAFT WHERE APPLICABLE MUST REMAIN WITHIN DIMENSIONS	THIRD ANGLE PROJECTION	DRAWING	SERIES	MATERIAL NUMBER	CUSTOMER	SHEET NUMBER		
			C-SIZE	130061	SEE P/N LEGEND	GENERAL MARKET	1 OF 1		