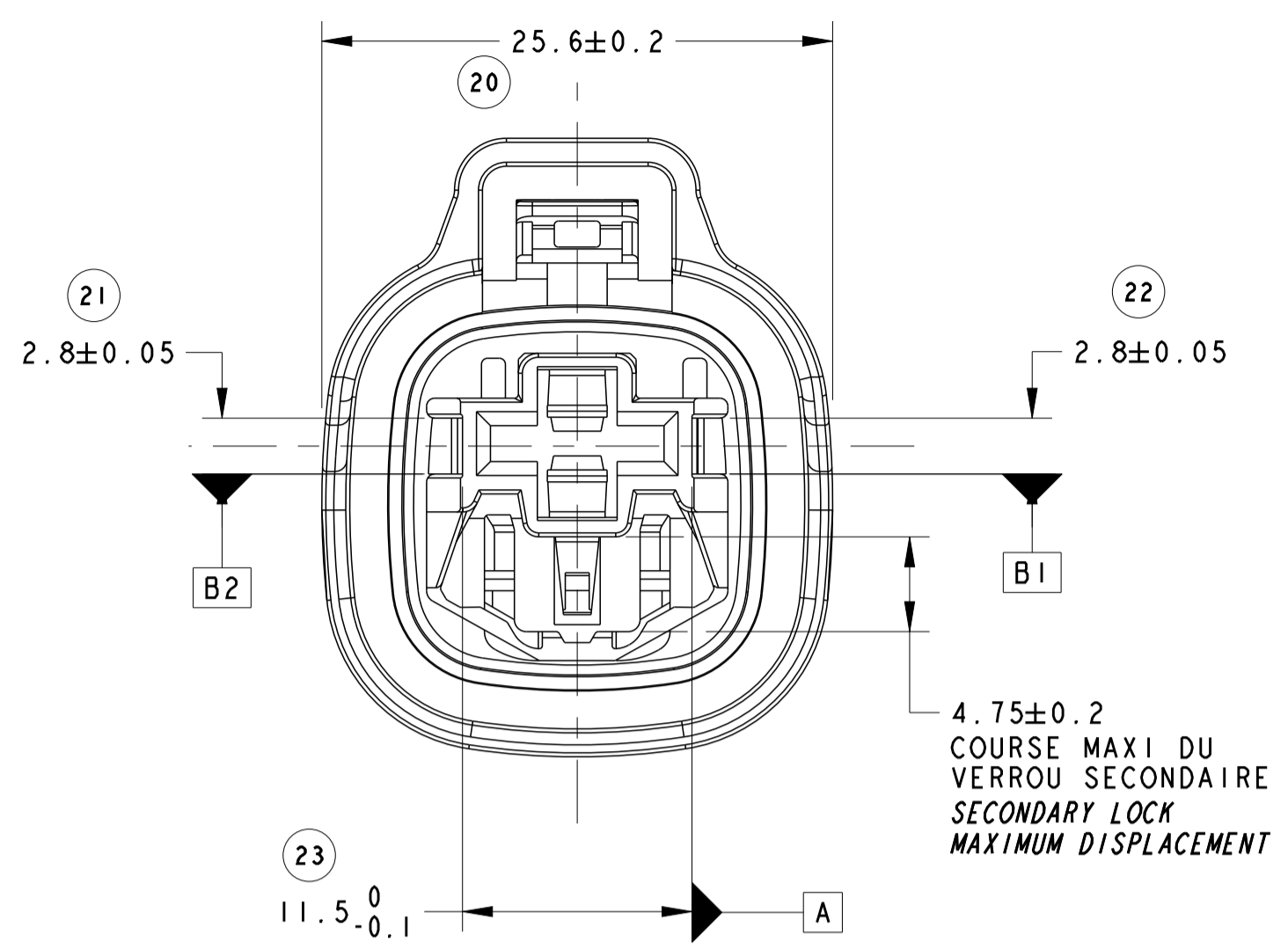
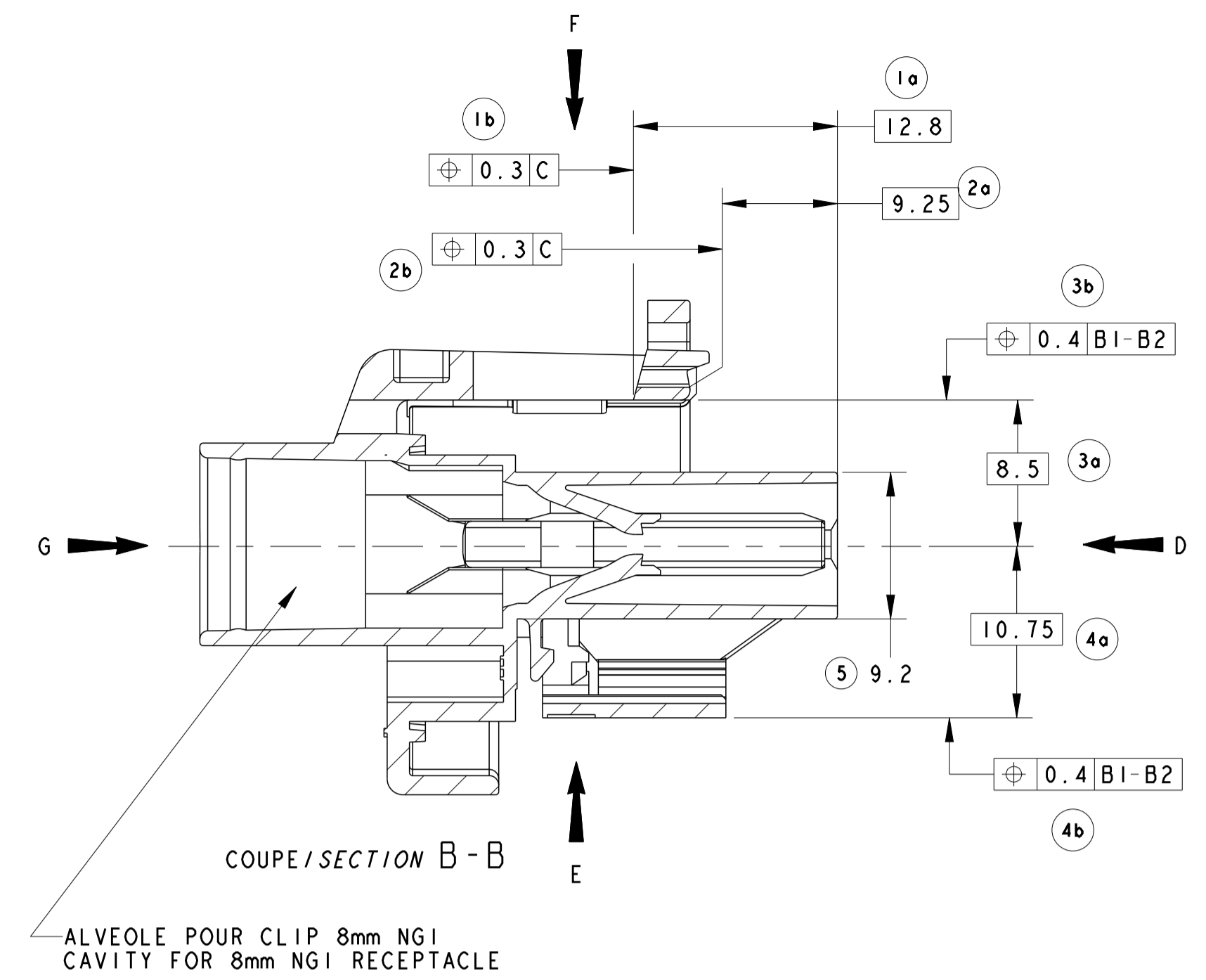


PORTE-CLIP EN POSITION DE LIVRAISON
 RECEPTACLE HOUSING IN DELIVERING POSITION

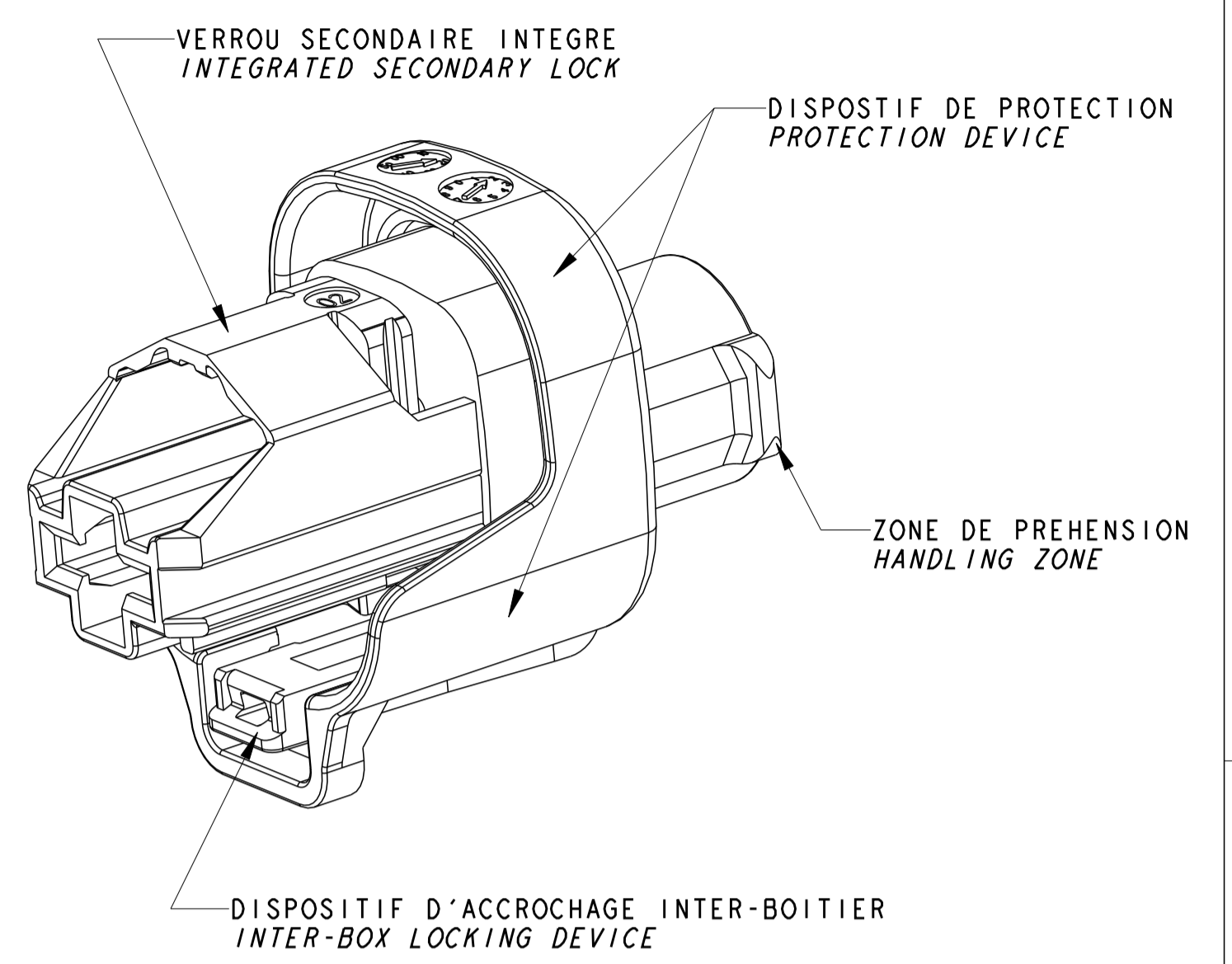
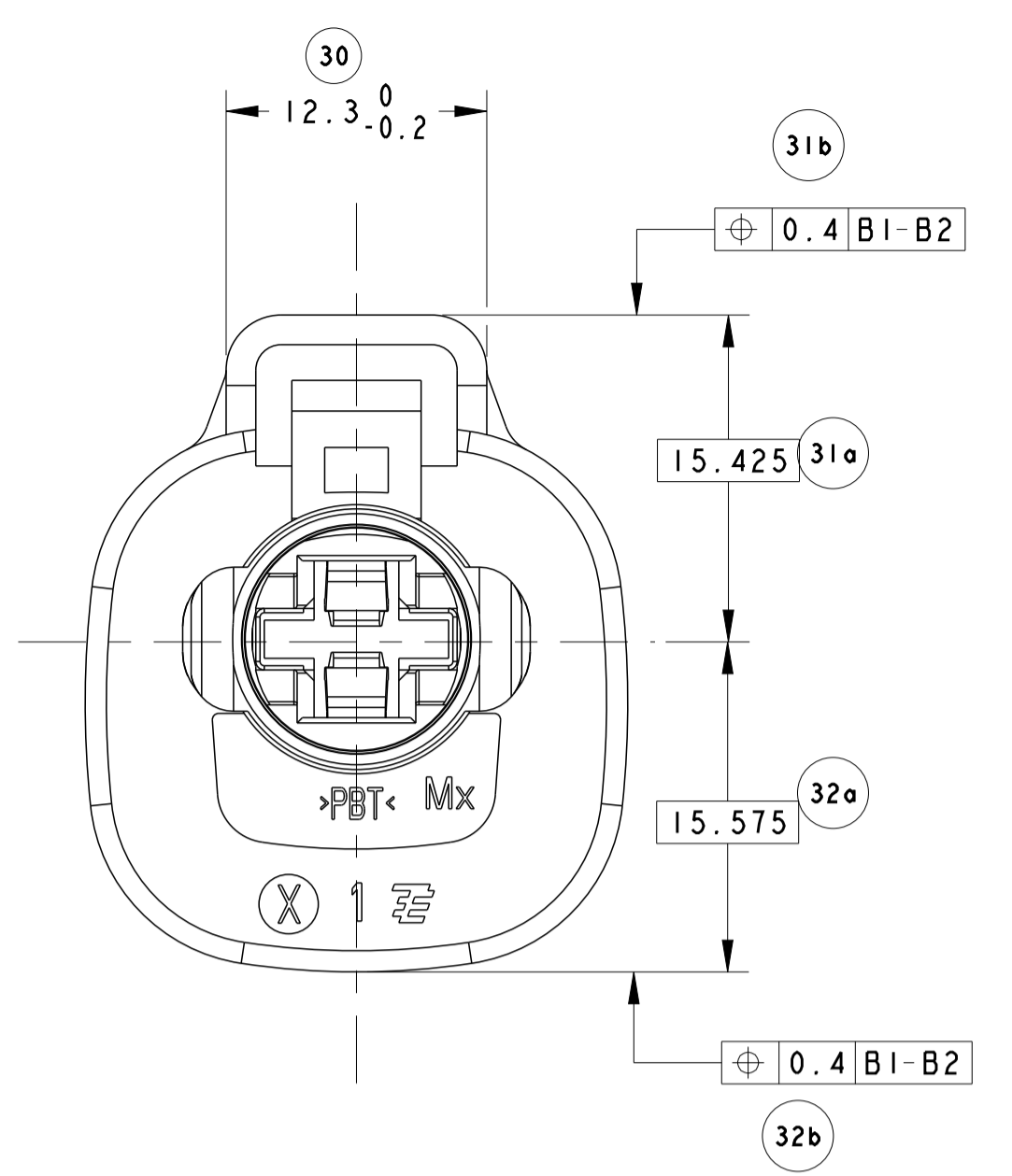


4.75±0.2
 COURSE MAXI DU
 VERROU SECONDAIRE
 SECONDARY LOCK
 MAXIMUM DISPLACEMENT



COUPE/SECTION B-B

ALVEOLE POUR CLIP 8mm NGI
 CAVITY FOR 8mm NGI RECEPTACLE



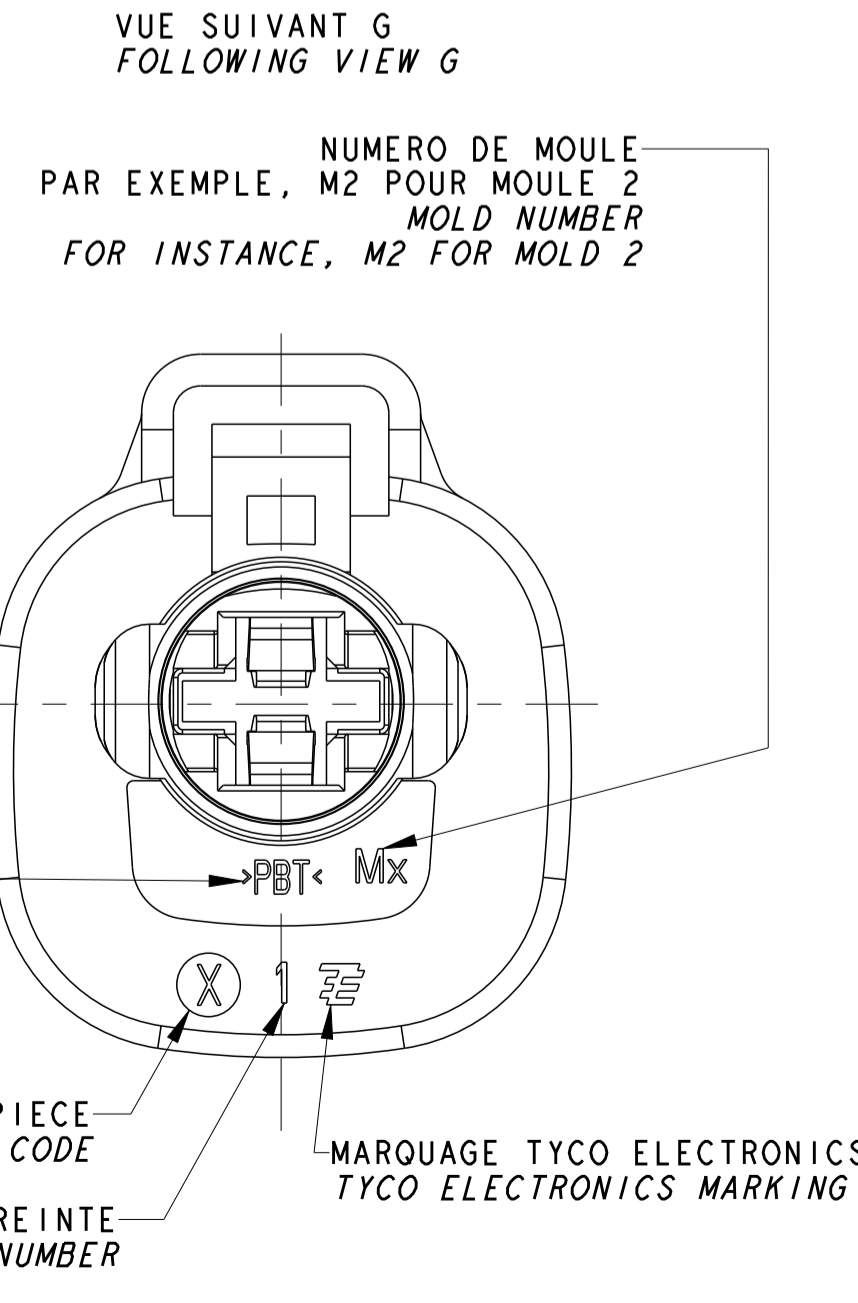
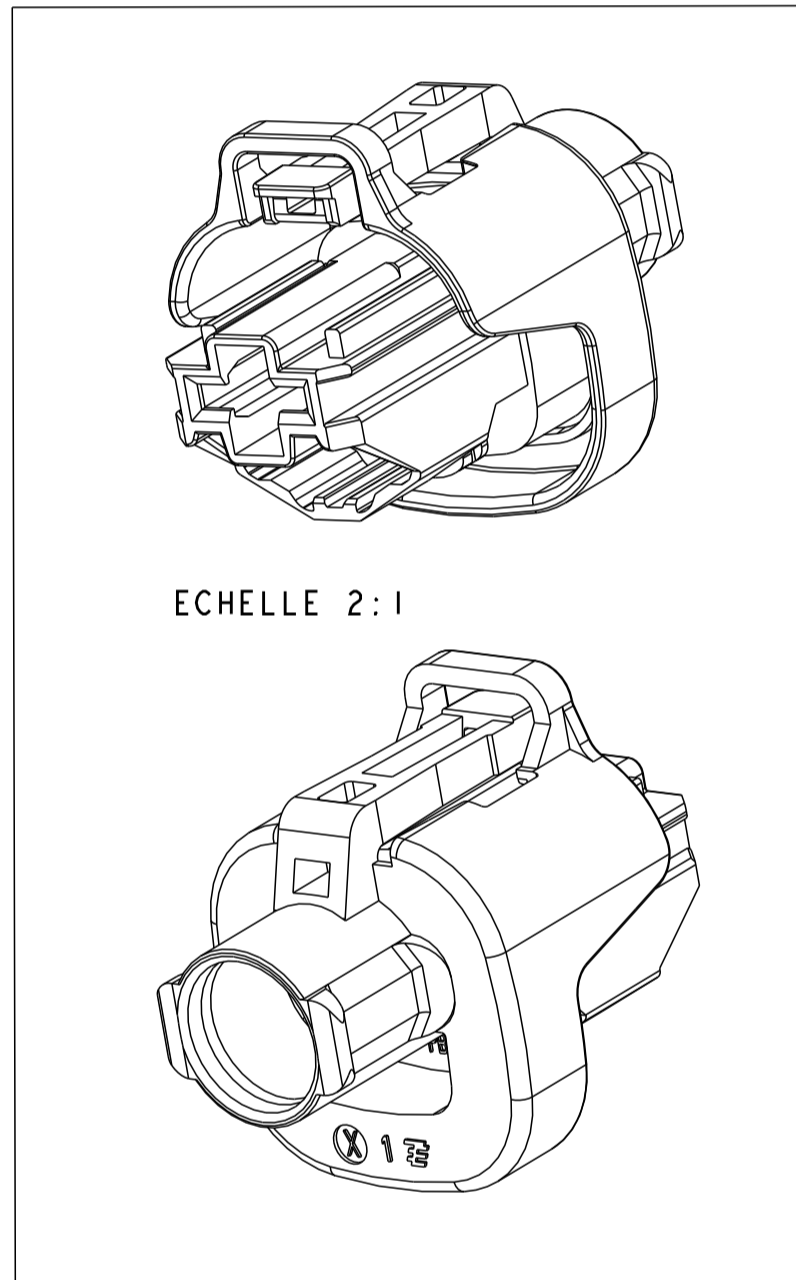
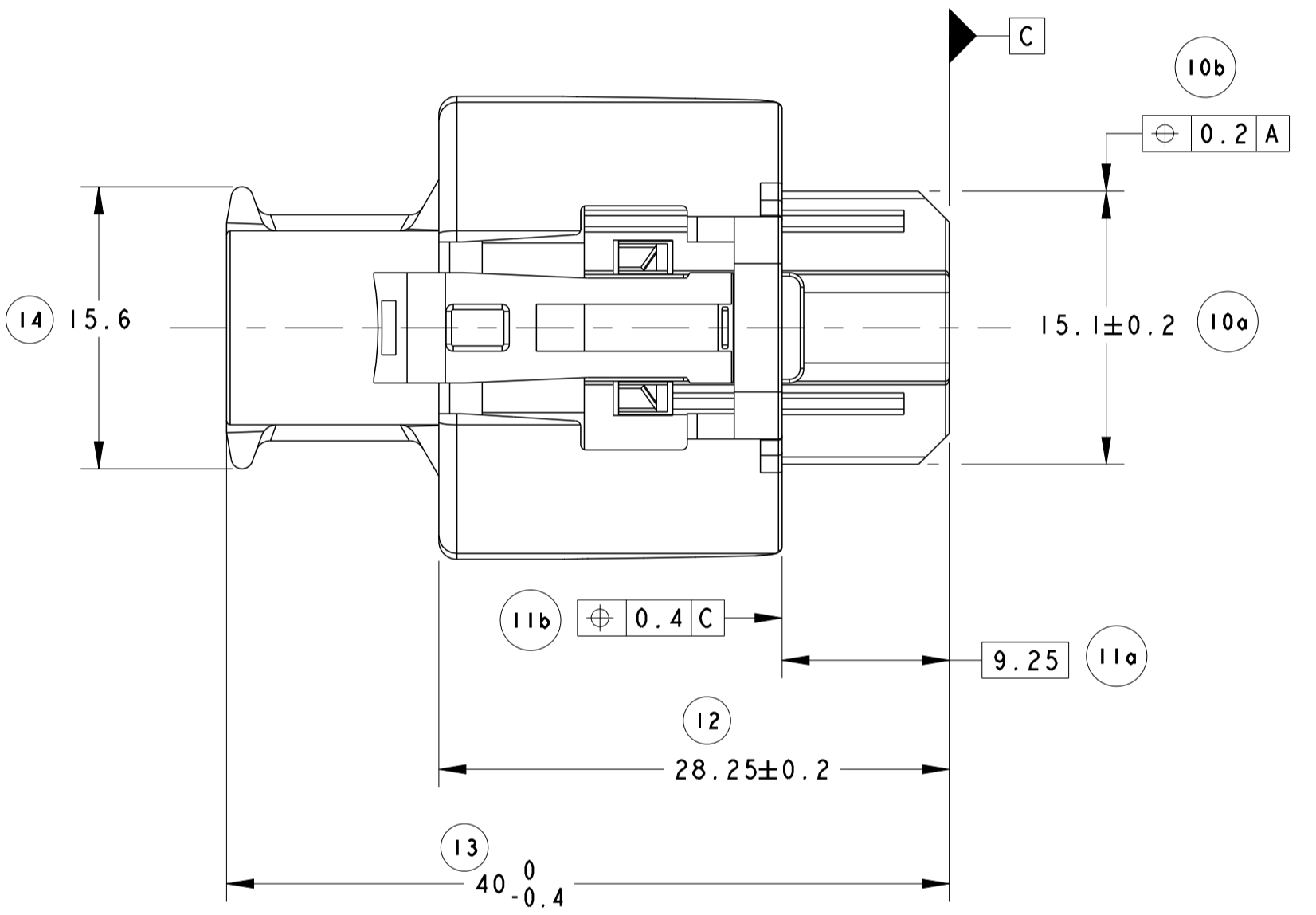
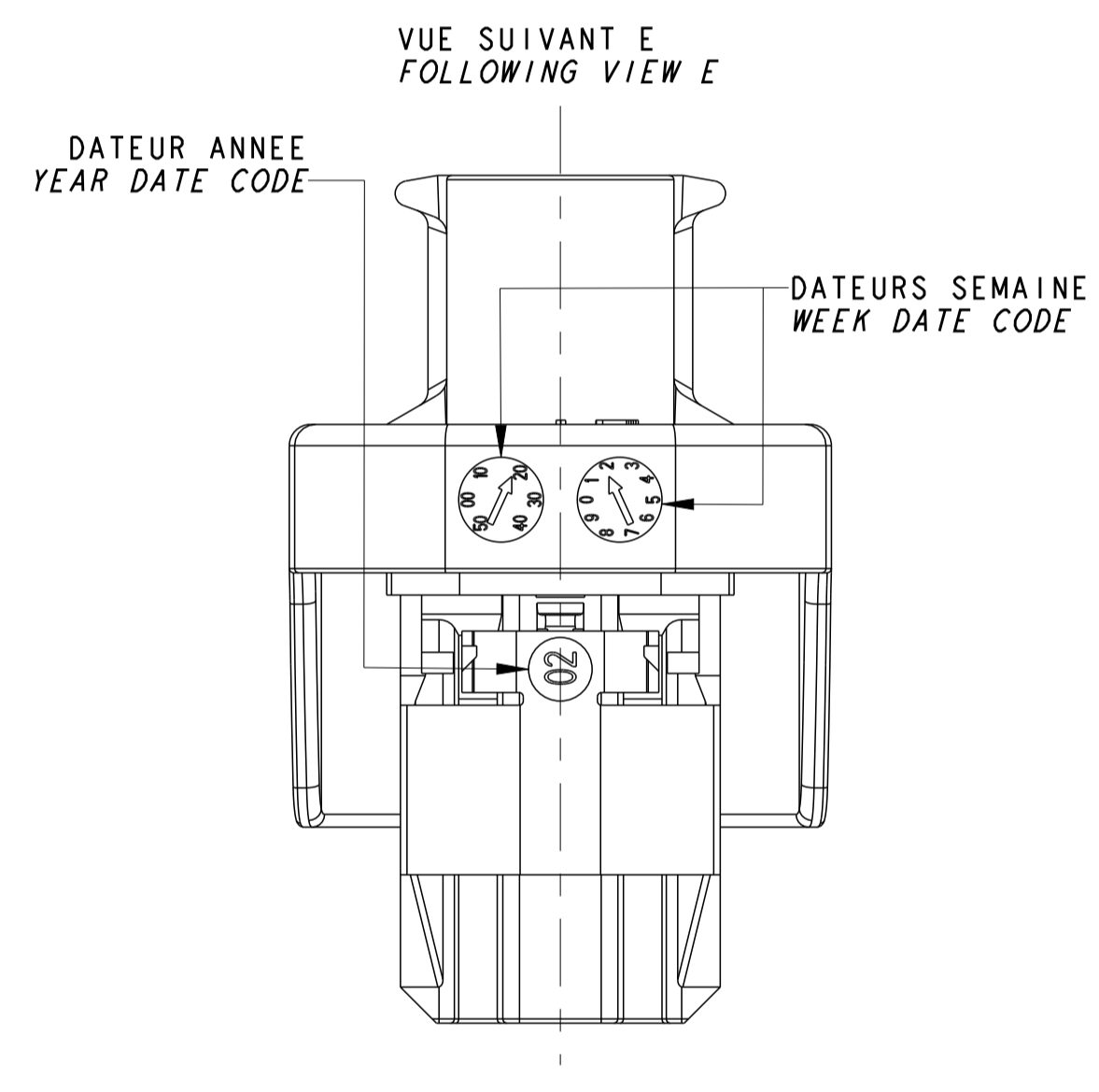
DOCUMENTS DE REFERENCE / REFERENCE DOCUMENTS :
 - PLAN D'INTERFACE / INTERFACE DRAWING:
 TYCO ELECTRONICS No/Nr 1544642

REFERENCES TE POUR CABLEURS
 TE PART NUMBERS FOR HARNESS MAKERS

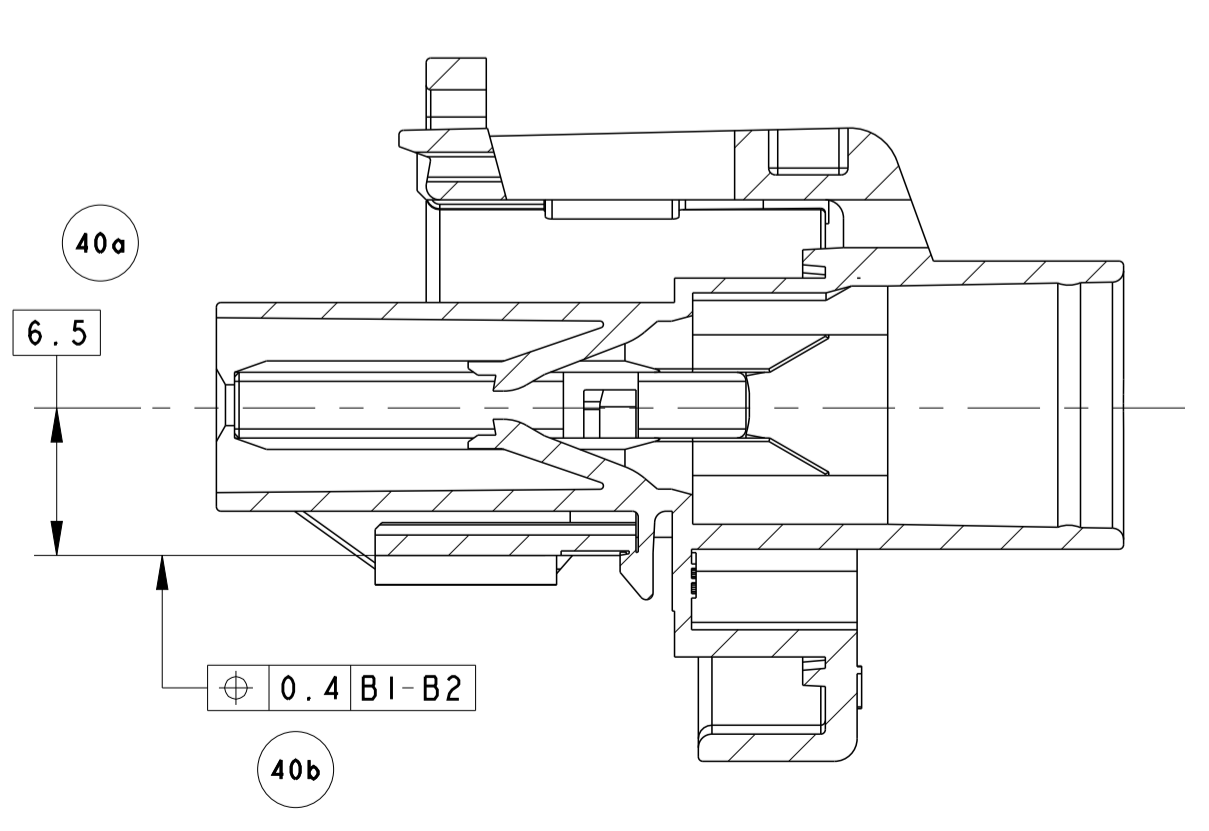
COMPOSANTS COMPONENTS	REF TYCO ELECTRONICS TYCO ELECTRONICS PN	MATIERE/MATERIAL
CLIP 8mm NGI G2: GAMME DE 3 A 6 mm ² 8mm NGI RECEPTACLE G2: RANGE FROM 3 TO 6 mm ²	1544227-1	CUIVRE MICRO-ALLIE MICRO ALLOYED COPPER
CLIP 8mm NGI G3: GAMME DE 7 A 10 mm ² 8mm NGI RECEPTACLE G3: RANGE FROM 7 TO 10 mm ²	1544228-1	CUIVRE MICRO-ALLIE MICRO ALLOYED COPPER

COMPOSANTS ASSOCIES POUR CABLEURS
 ASSOCIATED COMPONENTS FOR HARNESS MAKERS

COMPOSANTS COMPONENTS	REF TE TE PN	MATIERE/MATERIAL	COULEUR COLOR
PORTE-LANGUETTE IV 8mm NGI 1-WAY 8mm NGI TAB HOUSING	1544606-1	PBT FV-10 V0 PBT GF-10 V0	NOIR/BLACK
PORTE-LANGUETTE IV 8mm NGI 1-WAY 8mm NGI TAB HOUSING	1544606-2	PBT FV-10 V0 PBT GF-10 V0	BLEU/BLUE
PORTE-LANGUETTE IV 8mm NGI 1-WAY 8mm NGI TAB HOUSING	1544606-3	PBT FV-10 V0 PBT GF-10 V0	GRIS/GREY



VERROU SECONDAIRE EN POSITION FERMEE
 SECONDARY LOCK IN CLOSED POSITION



COUPE/SECTION B-B
 ECHELLE/SCALE 3:1

REFERENCE DES COMPOSANTS / COMPONENTS PART NUMBER

REFERENCE TE TE PN	1544601-1	1544601-2	1544601-3
COULEUR COLOR	NOIR / BLACK	BLEU / BLUE	GRIS / GREY

TYCO ELECTRONICS CORPORATION
 1544601-1
 DATE: 31 JUL 2007
 DRAWING NO: 1544601
 TITLE: PORTE CLIP 1 VOIE 8mm NGI
 1WAY 8mm NGI RECEPTACLE HOUSING
 MATERIAL: PBT GF-10 V0
 WEIGHT: APPROX. 5.8 g
 FINISH: -
 SCALE: 3:1
 SHEET: 1 OF 1
 REV: C