

THIS DRAWING IS UNPUBLISHED.

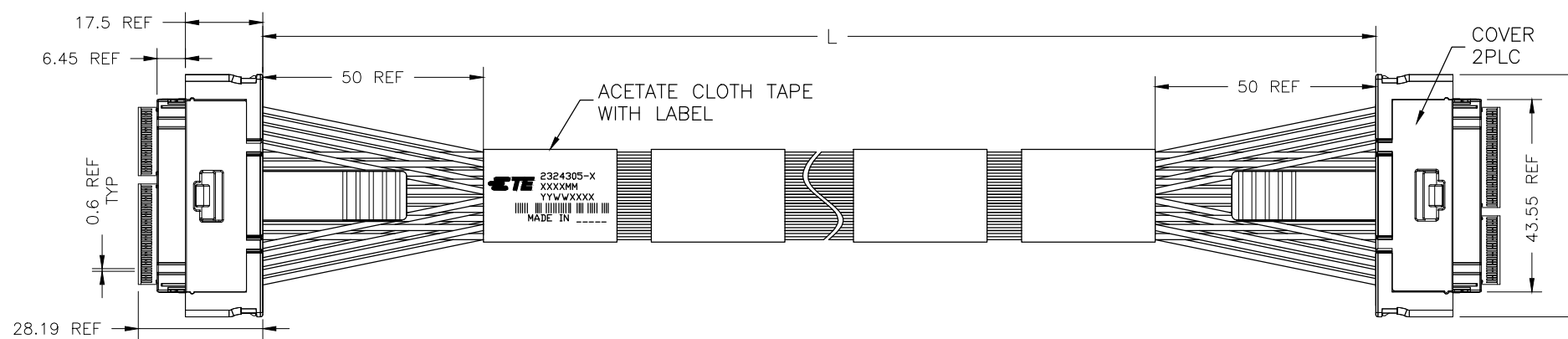
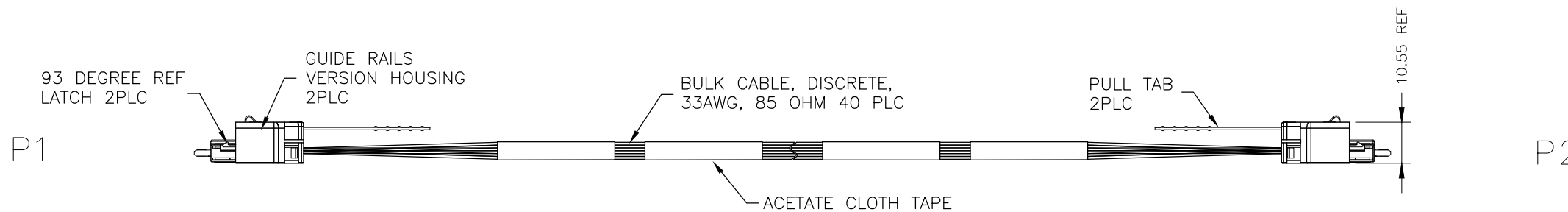
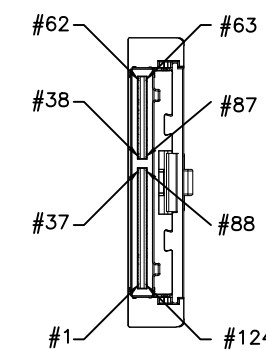
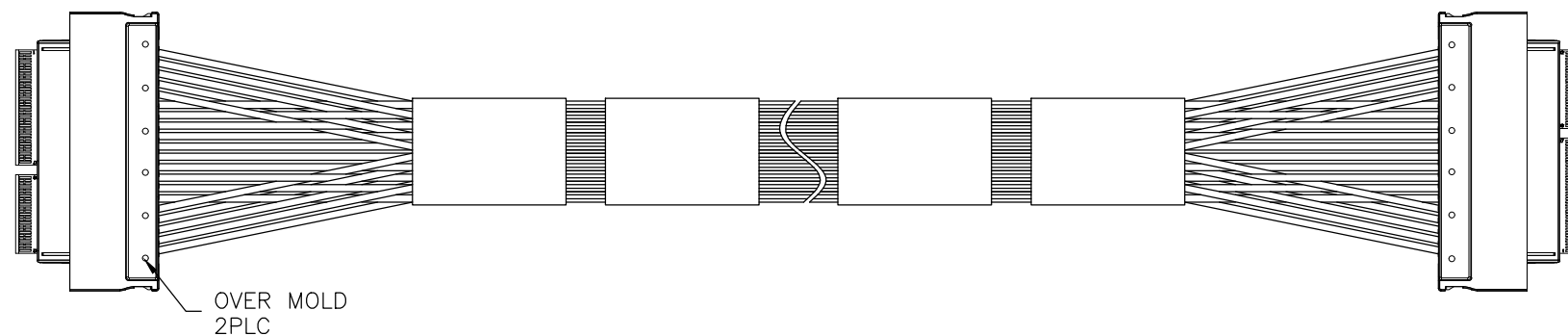
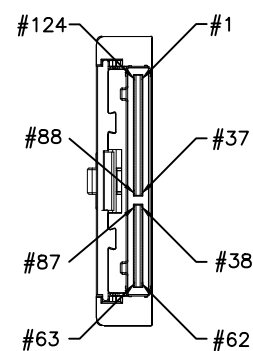
RELEASED FOR PUBLICATION

REVISIONS


© COPYRIGHT - TE Connectivity Ltd.

ALL RIGHTS RESERVED.

P	LTR	DESCRIPTION	DATE	DWN	APVD
	B	REVISED PER ECO-19-009198	12JUL2019	MY	DZ

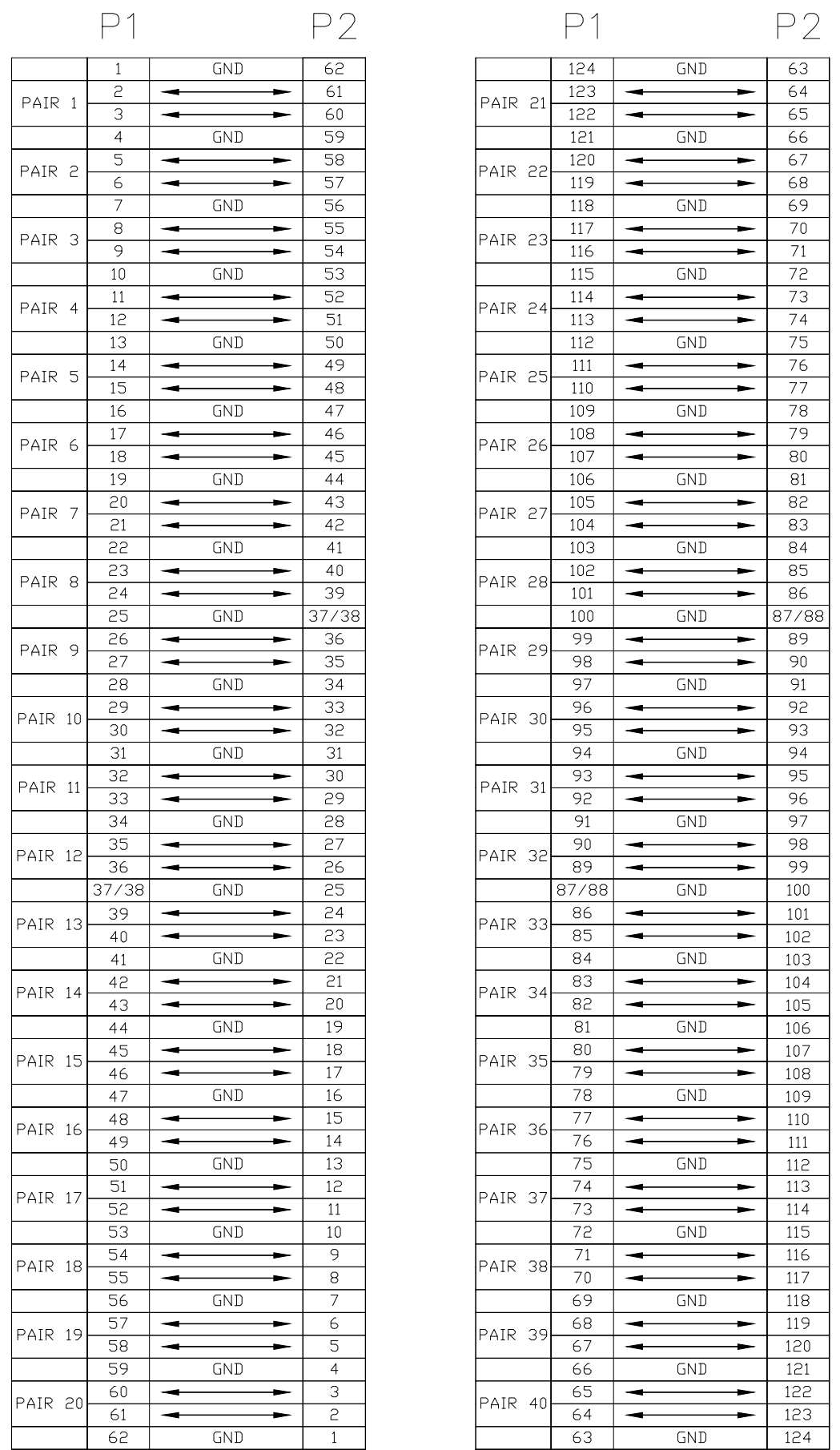


6	1000±20	2324305-2
3	500±10	2324305-1
NUMBER OF TAPE	"L" MM	TE PN

THIS DRAWING IS A CONTROLLED DOCUMENT.		DWN ANDY HOU 24AUG2018	 TE Connectivity	
DIMENSIONS: mm		CHK ANDY HOU 24AUG2018		
TOLERANCES UNLESS OTHERWISE SPECIFIED:		APVD DAVID ZHANG 24AUG2018	NAME	
0 PLC ± - 1 PLC ± - 2 PLC ± - 3 PLC ± - 4 PLC ± - ANGLES ± -		PRODUCT SPEC		CABLE ASSEMBLY, SLIVER 124 POSITION, 85OHM, STR TO STR
MATERIAL		APPLICATION SPEC		RESTRICTED TO
FINISH		WEIGHT NA	SIZE A3	CAGE CODE 00779
		DRAWING NO C-2324305		SCALE 1:1
		CUSTOMER DRAWING		SHEET 1 OF 3
				REV B

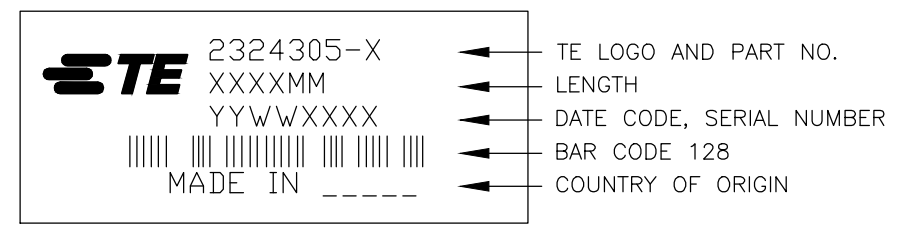
THIS DRAWING IS UNPUBLISHED. RELEASED FOR PUBLICATION  
 © COPYRIGHT - TE Connectivity Ltd. ALL RIGHTS RESERVED.

REVISIONS				
P	LTR	DESCRIPTION	DATE	APVD
-	-	SEE SHEET 1	-	-



WIRING SCHEMATIC

- CABLE ASSEMBLY TO BE TESTED FOR OPENS, SHORTS AND WIRING MAPPING. CABLES ARE ALSO TO BE TESTED FOR SIGNAL INTEGRITY. 10% OF PRODUCT TO BE TESTED FOR SIGNAL INTEGRITY.
- All MATERIALS, COMPONENTS AND PROCESS SHALL COMPLY WITH TEC-138-702, CONTAINS NO BANNED OR RESTRICTED SUBSTANCES.
- NO REACH SvHC SHALL BE CONTAINED ABOVE THE THRESHOLD AS DEFINED IN REACH SvHC COMPLIANCE DEFINITION IN ANNEX A OF TEC-138-702.
- SEE SHEET 2 FOR WIRING SCHEMATIC.
- MINIMUM BEND RADIUS OF THE CABLE = R4.5mm IN THE CABLE THICKNESS AXIS ONLY. MIN BEND RADIUS DOES NOT APPLY TO CABLE BENT IN THE WIDTH AXIS.
- LABEL INFORMATION:



7. CABLE ASSEMBLIES ARE INDIVIDUALLY PACKAGED IN A CLEAR PLASTIC TUBE, SEALED ON BOTH ENDS.

THIS DRAWING IS A CONTROLLED DOCUMENT.		DWN 24AUG2018 ANDY HOU	TE Connectivity CABLE ASSEMBLY, SLIVER 124 POSITION, 85OHM, STR TO STR	
DIMENSIONS: mm		CHK 24AUG2018 ANDY HOU		
TOLERANCES UNLESS OTHERWISE SPECIFIED:		APVD 24AUG2018 DAVID ZHANG	NAME	
0 PLC ± - 1 PLC ± - 2 PLC ± - 3 PLC ± - 4 PLC ± - ANGLES ± -		PRODUCT SPEC		RESTRICTED TO
MATERIAL		APPLICATION SPEC		SIZE
FINISH		WEIGHT NA		CAGE CODE
		CUSTOMER DRAWING		DRAWING NO
		SCALE 1:1		REV B
		A3 00779		SHEET 2 of 3
		C=2324305		