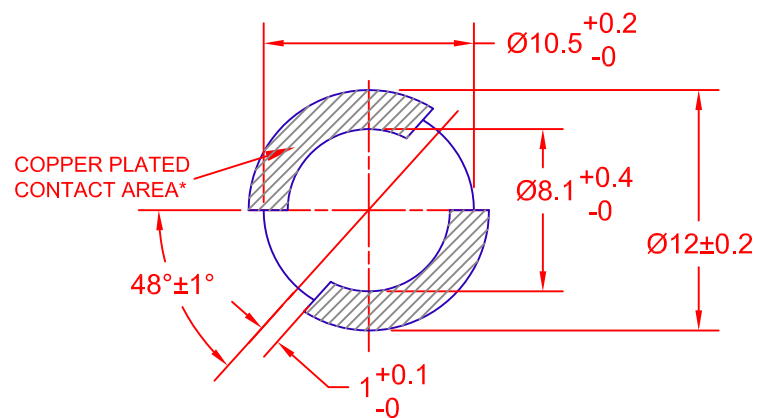
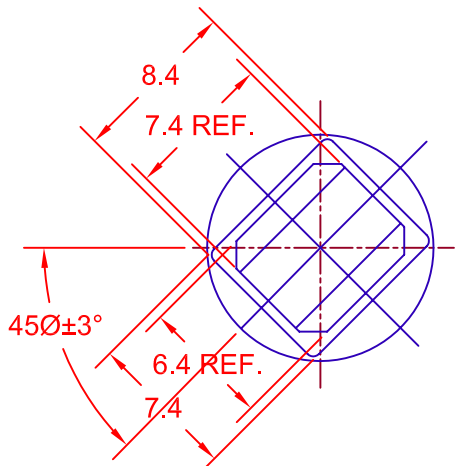
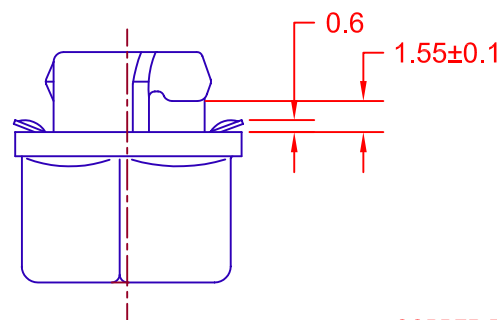
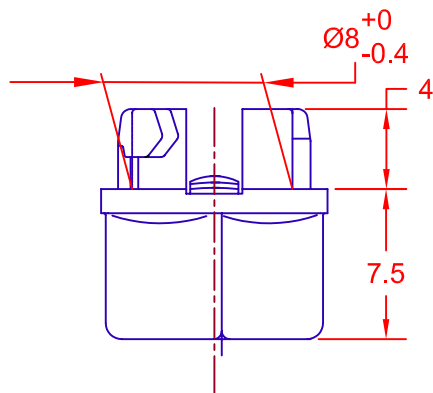
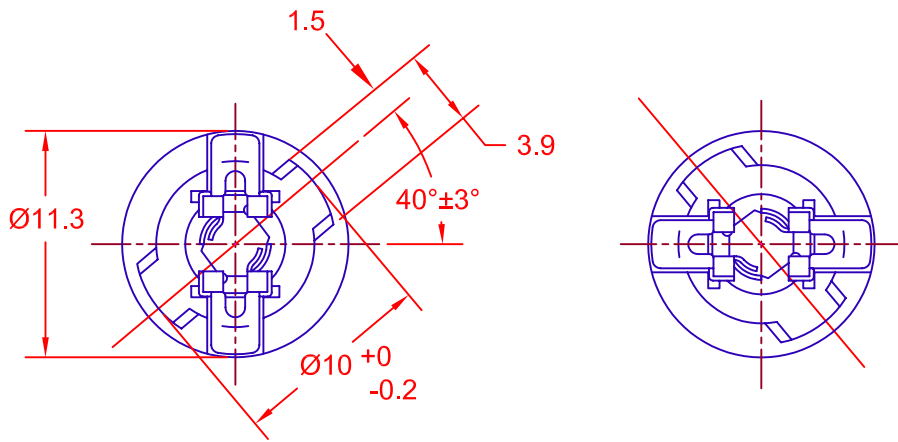


REV.	DESCRIPTION/ECO NO.	DATE
	RELEASED	10/30/01



**P.C. BOARD PUNCH PATTERN**  
 \* NO TREATMENT SUCH AS APPLICATION OF FLUX SHOULD BE DONE TO COPPER CONTACT PLATES ON PRINTED CIRCUIT BOARD.

**JKL PART NO.: 2918B**  
**SOCKET COLOR: BLACK**

<p>METRIC THIRD ANGLE PROJECTION</p>	DIMENSIONS ARE IN MILLIMETERS TOLERANCE UNLESS OTHERWISE SPECIFIED 1 PL +/- 0.2 2 PL +/- 0.20 ANGLE +/- 0		<b>JKL COMPONENTS CORPORATION</b>			
			TITLE <b>T-1 1/2 WEDGE BASE SOCKET</b>			
DRAWN BY L. WENGSTROM	APP'VD BY L.W.	DATE 10/30/01	SIZE <b>A</b>	FSCM NO. <b>55335</b>	DRAWING NO. <b>SOCKET 2918B</b>	
- CAD DRAWING - MANUAL REVISIONS NOT PERMITTED			SCALE NONE	RELEASED DATE 10/30/01	REVISION DATE REV. NO. SHEET 1 OF 1	