

4

3

2

1

THIS DRAWING IS UNPUBLISHED.

RELEASED FOR PUBLICATION

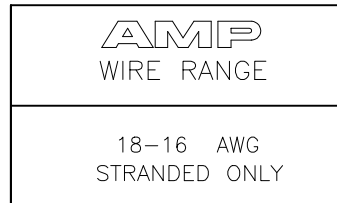
--

© COPYRIGHT - By -

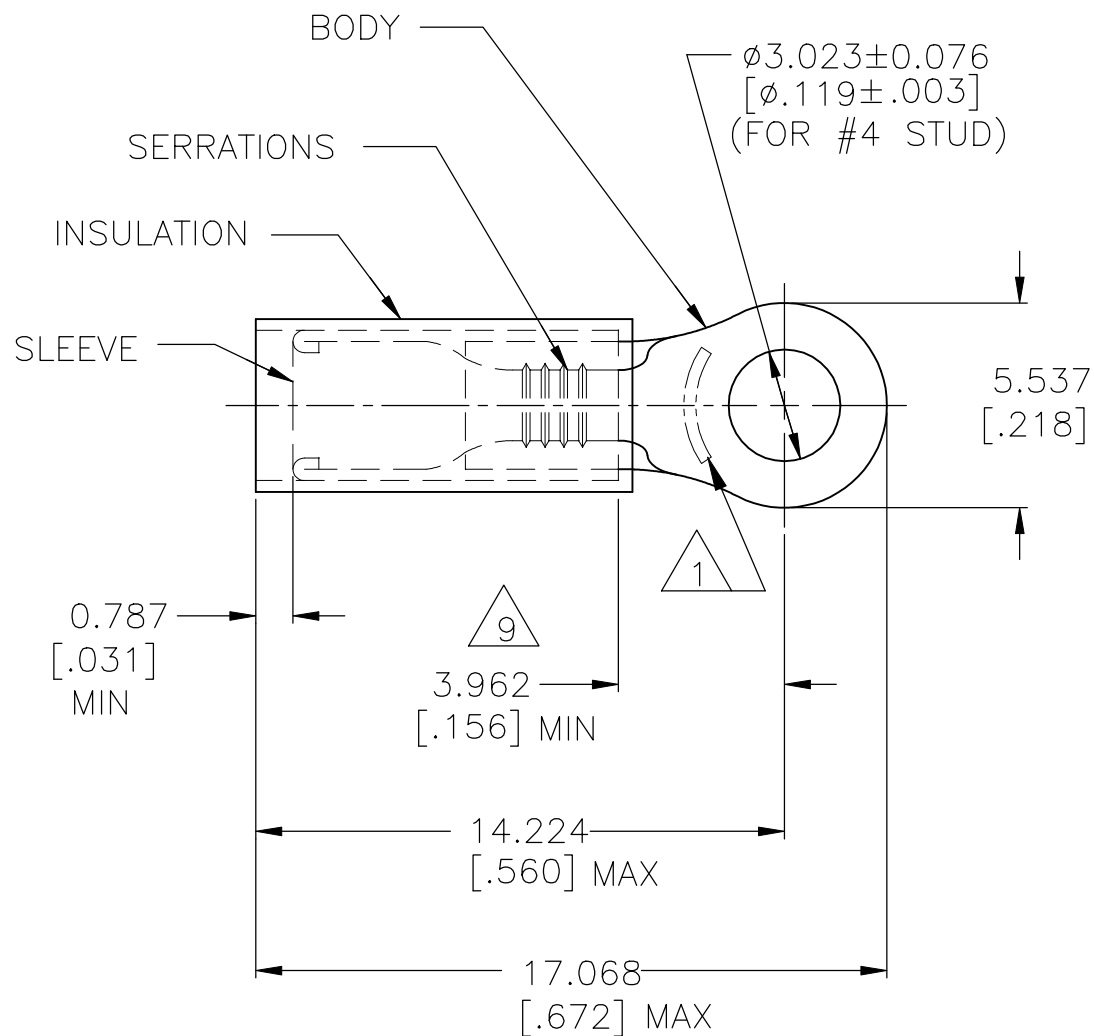
ALL RIGHTS RESERVED.

REVISIONS

| P | LTR | DESCRIPTION               | DATE      | DWN | APVD |
|---|-----|---------------------------|-----------|-----|------|
|   | K5  | REVISED PER ECO-15-016493 | 28NOV2015 | NK  | DR   |
|   | K6  | REVISED PER ECO-17-016703 | 30MAR2018 | RS  | DR   |



- 1 STAMP "AMP 18-16\*" APPROX AS SHOWN
- 2 FOR 1.397[.055] TO 3.429[.135] WIRE INSULATION DIA.
- 3 BODY MATERIAL THK: 0.787±0.051 [.031±.002]
- 4 BODY: MATERIAL: COPPER ASTM B152  
FINISH: NICKEL PL. SAE AMS QQ-N-290  
0.0076 [.0003] AVG EXT THK.
- 5 SLEEVE: MATERIAL: COPPER ASTM B152  
FINISH: NICKEL PL. SAE AMS QQ-N-290  
0.0076 [.0003] AVG EXT THK.
- 6 INSULATION: MATERIAL: PTFE (ASTM D3295)  
COLOR: ORANGE
- 7 NOTE DELETED
- 8 NOTE DELETED
- 9 DIMENSION APPLIES FROM EDGE OF METAL WIRE BARREL TO CENTER OF STUD HOLE



|      |              |          |
|------|--------------|----------|
| 1000 | LOOSE PIECE  | 50834    |
| QTY  | PACKAGE TYPE | PART NO. |

AMP INCORPORATED  
CUSTOMER SERVICE SYSTEMS

MAX RECOMMENDED OPERATING TEMPERATURE:

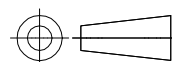
288°C [550° F]

VOLTAGE RATING:  
300V MAX

CIRCULAR MIL AREA:  
0.81-1.42mm² [1600-2800]  
STRANDED WIRE ONLY

THIS DRAWING IS A CONTROLLED DOCUMENT.

DIMENSIONS:  
mm [INCHES]



MATERIAL



TOLERANCES UNLESS OTHERWISE SPECIFIED:

|        |               |
|--------|---------------|
| 0 PLC  | ± -           |
| 1 PLC  | ± -           |
| 2 PLC  | ± -           |
| 3 PLC  | ± 0.127[.005] |
| 4 PLC  | ± -           |
| ANGLES | ± -           |

FINISH



DWN JR RUTH 05JAN99

CHK RE HERSEY 05JAN99

APVD T MICHIELUTTI 05JAN99

PRODUCT SPEC

APPLICATION SPEC

WEIGHT

CUSTOMER DRAWING



NAME  
TERMINAL, PIDG , STRATO-THERM,  
RING TONGUE, WIRE SIZE: 18-16

|      |           |            |               |
|------|-----------|------------|---------------|
| SIZE | CAGE CODE | DRAWING NO | RESTRICTED TO |
| A3   | 00779     | C=50834    | -             |

SCALE 5:1 SHEET 1 OF 1 REV K6

FOR ADDITIONAL  
PRODUCT INFORMATION OR  
COPIES OF DRAWINGS  
AND TECHNICAL DOCUMENTS

PRODUCT INFORMATION CENTER  
1-800-522-6752

FOR APPLICATION  
TOOLING INFORMATION

TOOLING ASSISTANCE CENTER  
1-800-722-1111

FOR ORDER ENTRY

1-800-526-5142