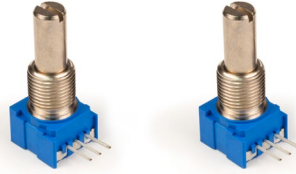




PRODUCT OBSOLESCENCE MEMO

PANEL CONTROLS



Bourns® Model 51 /53 Sealed ½ inch (12.5 mm) Square Control with Rear Bracket to be Discontinued

Riverside, California - May 27, 2022 – The Bourns® [Model 51 /53 Sealed ½ inch \(12.5 mm\) Square Control Series](#) is sold in five main configurations: AR Lug 90° CW, no AR Lug or Bracket, Front Bracket, Rear Bracket, and Front and Rear Bracket.

In accordance with our ongoing product lifecycle management procedure, Bourns will transfer the Model 51 /53 Sealed ½ inch (12.5 mm) Square Control with Rear Bracket to an End of Product Life status on November 27, 2022. A lack of sales volume and diminishing demand necessitates this action. The obsolete part numbers are listed below.

Bourns will continue to offer the Model 51 /53 Sealed ½ inch (12.5 mm) Square Controls in the other four main configurations (with AR Lug 90° C, no AR Lug or Bracket, Front Bracket, and Front and Rear Bracket).

Obsolete Part Numbers

51AAM-Z20-GA0/403L	51AAM-Z20-GA0/408L	51Camm-D24-C15L	51AAM-Z20-GA0/405L	51AAM-Z20-GA0/409L
51ABM-Z29-GA0/404L	51AAM-Z20-GA0/406L	51AAM-Z24-GA0/402L	51AAM-Z20-GA0/407L	51CAM-E24-GA0/295L

Obsolete Configuration (Rear Bracket)

UNCONTROLLED COPY Expires: 06/02/2022

NOTES:
 <13> PLATED MATERIAL WITH 1000 TIN, 99.9997% 0.0010 THICK, PER AS278-B-545
 14. THESE PART NUMBERS USE SAME TOOLING AS PARTS 03168-10301 & 03168-10302
 *15. THIS DIMENSION ARE COMING FROM PEE LAY-OUT.
 *16. TAKE DIMENSION ON FLAT SECTION WITHOUT BURR OR DEFORMATION.
 *17. FAR OUT ALLOWED TO .010 MAX. FROM UPPER LINES.

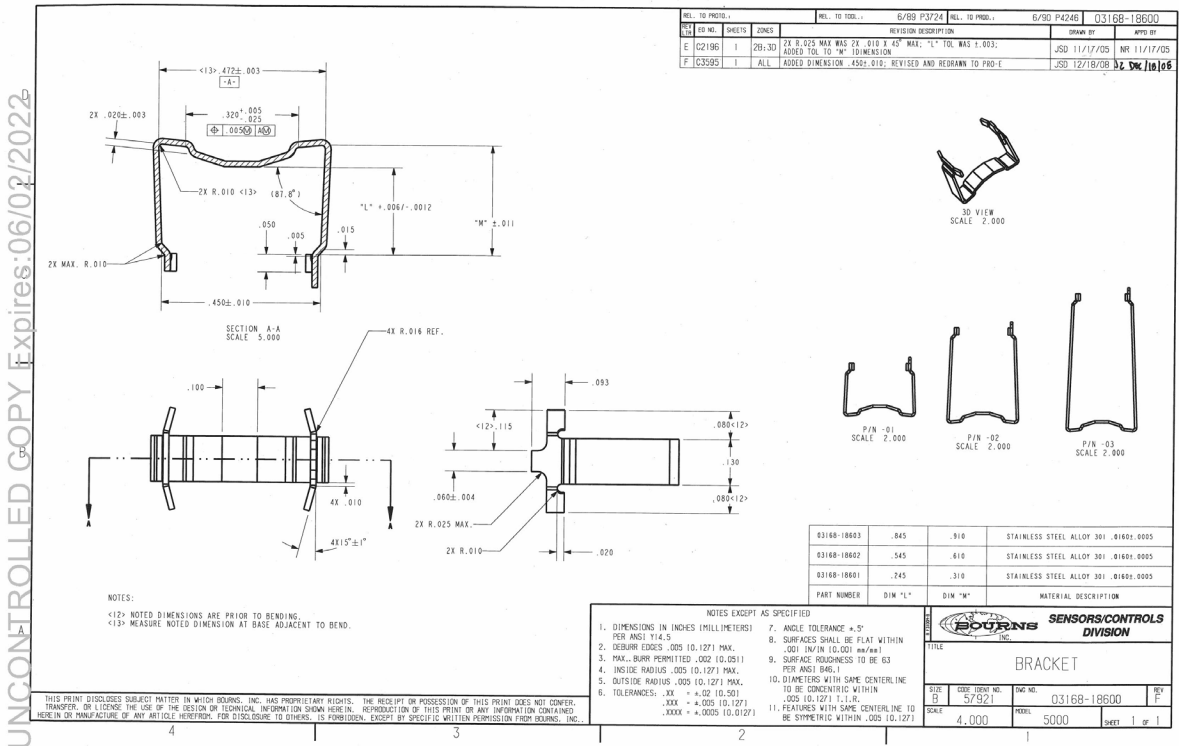
FORM NO.	REV.	ISSUED BY	DATE	APP'D BY	REV.	DESCR.	03168-20200
01	01	01	01/01/22	01	01	01	
02	01	01	01/01/22	01	01	01	
03	01	01	01/01/22	01	01	01	

DESCRIPTION: BRACKET, REAR

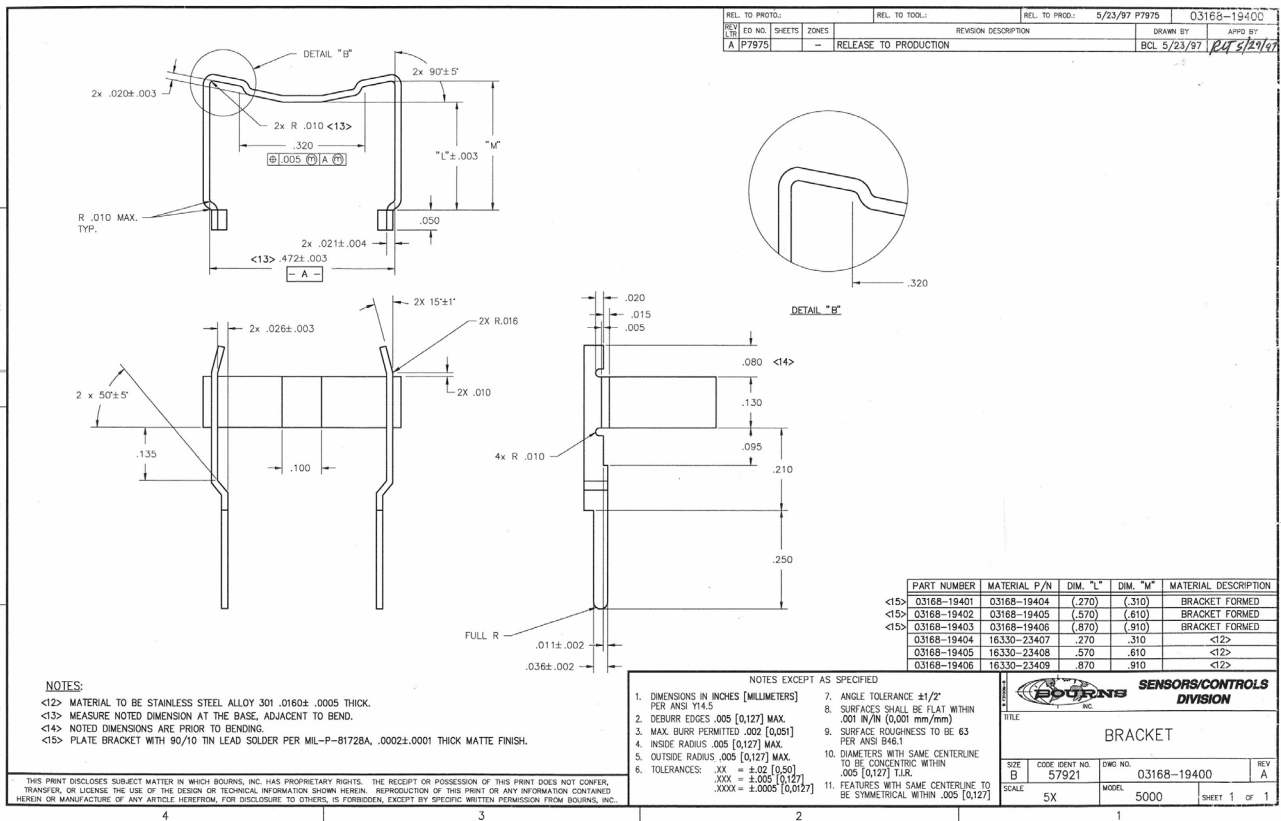
MATERIAL SPECIFICATION:

<04	16330-R2606	CRV 1010 STEEL .0162-.001 THICK	355
<03	16330-R2626	CRV 1010 STEEL .0162-.001 THICK	455
<02	03168-20200	BRACKET FORMED	...
<01	03168-02000	BRACKET FORMED	...

PART NUMBER: 03168-20200
 MATERIAL: 5100
 MATERIAL DESCRIPTION: 5100

Available Configuration (AR Lug 90° CW)**Available Configuration (no AR Lug or Bracket)**

~no image~

Available Configuration (Front Bracket)

UNCONTROLLED COPY Expires:06/02/2022

UNCONTROLLED COPY Expires:06/02/2022

Available Configuration (Front and Rear Bracket)

UNCONTROLLED COPY Expires: 06/02/2022

DRAIN BY:	DATE:	CHECKED BY:	DATE:	APP'D BY:	DATE:	DWG NO.
REV	NO	SHEETS	ZONES	REVISION DESCRIPTION		03168-20300
F	14392	1	2B	F-WAS ".250"		REVISED BY: JAC
G	036033	1	4A	ADDED "MATTE SURFACE APPEARANCE" TO NOTE <15>		APPROVED BY: JSD

PART NUMBER	MATERIAL P/N	DIM. "L"	DIM. "W"	MATERIAL DESCRIPTION
<13> 03168-20301	03168-20304	(.270)	(.310)	BRACKET FORMED
<14> 03168-20302	03168-20305	(.570)	(.610)	
<15> 03168-20303	03168-20306	(.870)	(.910)	STAINLESS STEEL ALLOY 301 .0160±.0005 THICK
03168-20304	16330-23407	.270	.310	
03168-20305	16330-23408	.570	.610	
03168-20306	16330-23409	.870	.910	

NOTES:

<13> MEASURE NOTED DIMENSION AT THE BASE, ADJACENT TO BEND.
 <14> NOTED DIMENSIONS ARE PRIOR TO BENDING.
 <15> PLATED MATERIAL WITH 100% TIN, .0004±.00010 THICK, PER ASTM-B-545. MATTE SURFACE APPEARANCE.
 16. THIS PART NUMBER USE SAME TOOLING AS P/N 03168-19401, 03168-19402 & 03168-19403.

NOTES EXCEPT AS SPECIFIED:

- DIMENSIONS IN INCHES (MILLIMETERS) FOR ASME Y14.5
- DEBARR EDGES .005 (0.127) MAX.
- MAX. BURR POINTED .002 (0.051) MAX.
- INSIDE RADIUS .005 (0.127) MAX.
- OUTSIDE RADIUS .005 (0.127) MAX.
- TOLERANCES: .XX = ±.00 (0.50)
 .XXX = ±.002 (0.127)
 .XXXX = ±.0002 (0.0051)
- ANGLE TOLERANCE 40.5°
- SURFACES SHALL BE FLAT WITHIN .001 IN/W (0.025 MM/M)
- SURFACE ROUGHNESS TO BE 63/PER ASME B46.1
- DIAMETERS WITH THE SAME CENTERLINE TO BE CONCENTRIC WITHIN .005 (0.127) T.I.K.
- FEATURES WITH SAME CENTERLINE TO BE SYMMETRIC WITHIN .005 (0.127)
- SPECIAL CHARACTERISTICS ARE IDENTIFIED WITH (*) FOLLOWED BY TWO DIGITS. FIRST CODE (SPECIAL CHARACTERISTICS): C = CRITICAL, M = MATE, & CHARACTERS: # = MAND. SECOND CODE (CLASSIFICATION): CUSTOMER, D = DESIGN & P = PROCESS

BOURNS®, INC.

TITLE: BRACKET

SIZE: B CODE IDENT NO. 32997 DWG NO. 03168-20300 REV. C

SCALE: 5X MODEL: 5000 SHEET 1 OF 1

No replacement part numbers are available at this time for the discontinued Rear Bracket configuration. Orders for these discontinued part numbers during this End of Product Life transition period will be considered noncancellable. Products purchased during this End of Product Life transition period will be considered nonreturnable and will be covered by Bourns' standard warranty.

Please plan for the following deadlines:

Last time buy date: **November 27, 2022**

Last time ship date: **May 27, 2023**

If you have any questions or need additional information, please feel free to [contact Customer Service/Inside Sales](#).