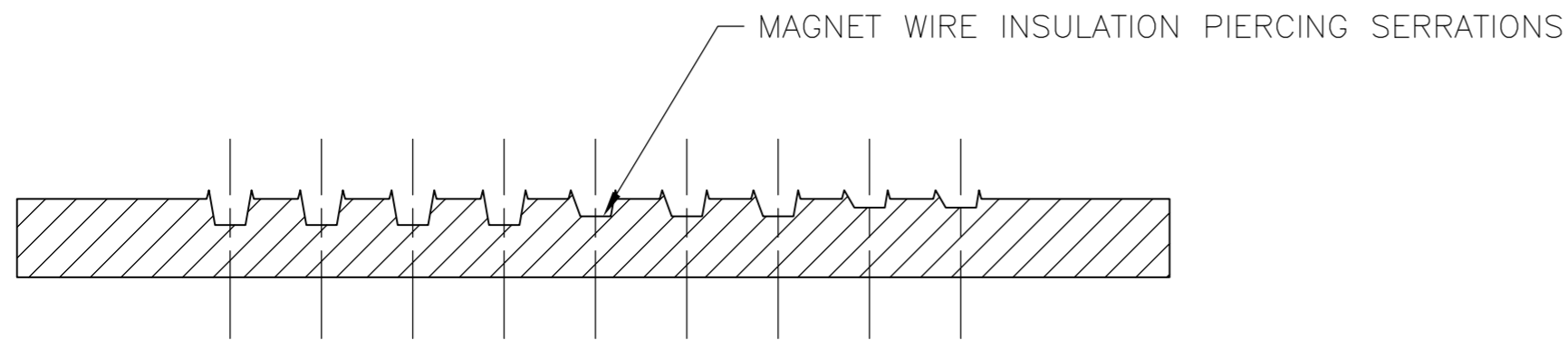
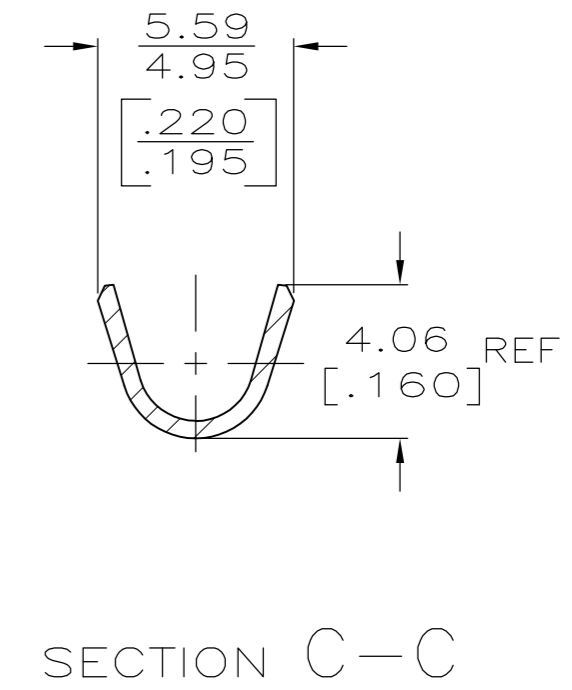
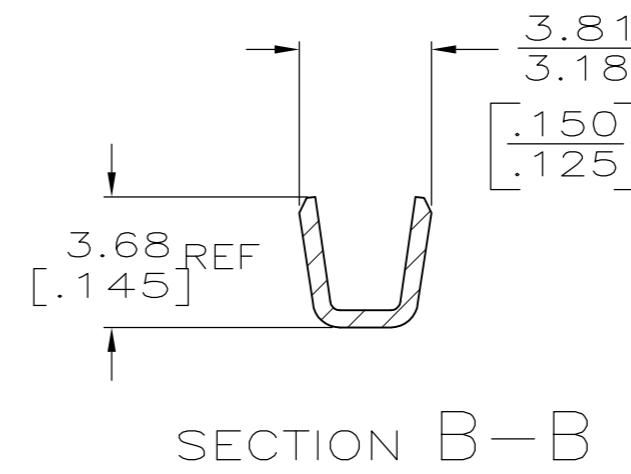
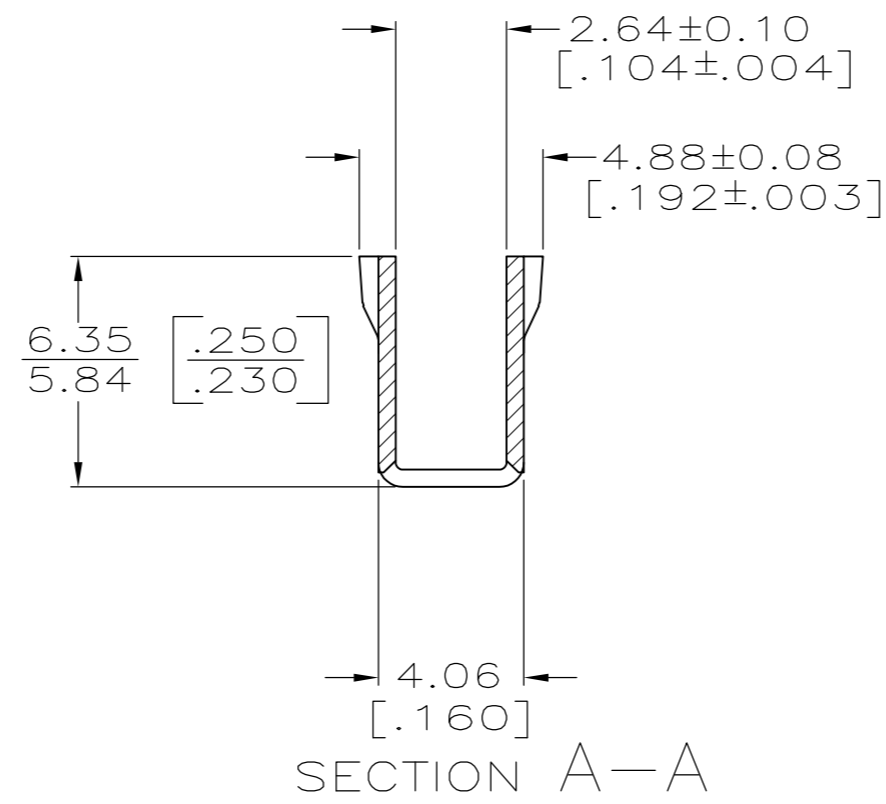
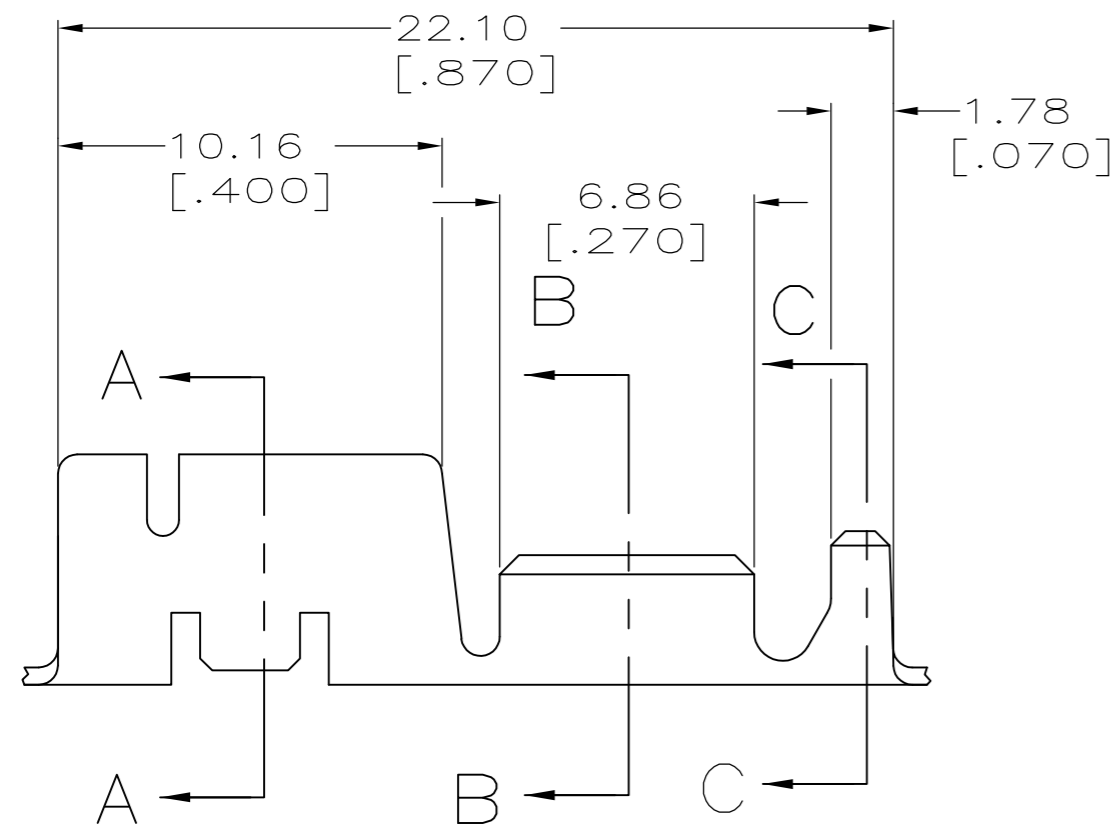
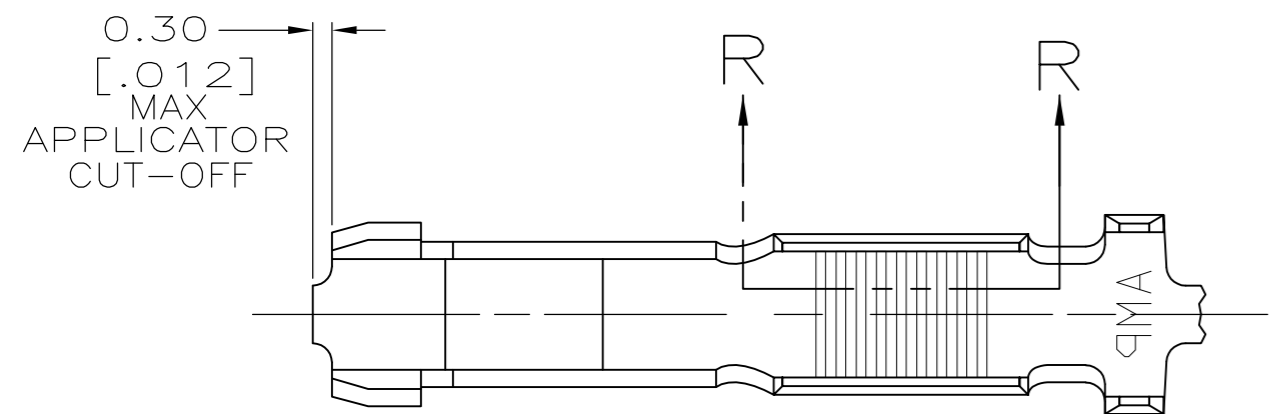


THIS DRAWING IS UNPUBLISHED. RELEASED FOR PUBLICATION
 © COPYRIGHT - By - ALL RIGHTS RESERVED.

LOC	DIST	REVISIONS			
P	LTR	DESCRIPTION	DATE	DWN	APVD
AF	52	N	REVISED PER ECR-14-006300	28AUG2014	MKD/RRP

- 1 CONTINUOUS STRIP ON REELS WITH TERMINALS LOCATED ON 23.75 [.935] CENTERS.
- 2 STANDARD RETENTION TYPE



SECTION R-R
SCALE 25:1

1.90-3.18 DIA [.075-.125]	1500-4200 CMA	63454-1
INSULATION RANGE	WIRE RANGE	PART NUMBER

THIS DRAWING IS A CONTROLLED DOCUMENT.		DWN MS FEHER 11/12/87					
DIMENSIONS: mm [INCHES]		CHK G YETTER 11/17/87					
TOLERANCES UNLESS OTHERWISE SPECIFIED:		APVD J SWARTZ 11/17/87					
0 PLC ± - 1 PLC ± - 2 PLC ± 0.25 [.010] 3 PLC ± - 4 PLC ± - ANGLES ± -		NAME RECEPTACLE, CLUSTER PIN, AMPLIVAR, 3.18 [.125] DIA					
MATERIAL H03 TIN-BRASS		FINISH POST TIN	PRODUCT SPEC 108-2008	SIZE A2	CAGE CODE 00779	DRAWING NO C-63454	RESTRICTED TO -
			APPLICATION SPEC 114-2009	SCALE 5:1	SHEET 1 of 1	REV N	
			WEIGHT -	CUSTOMER DRAWING			