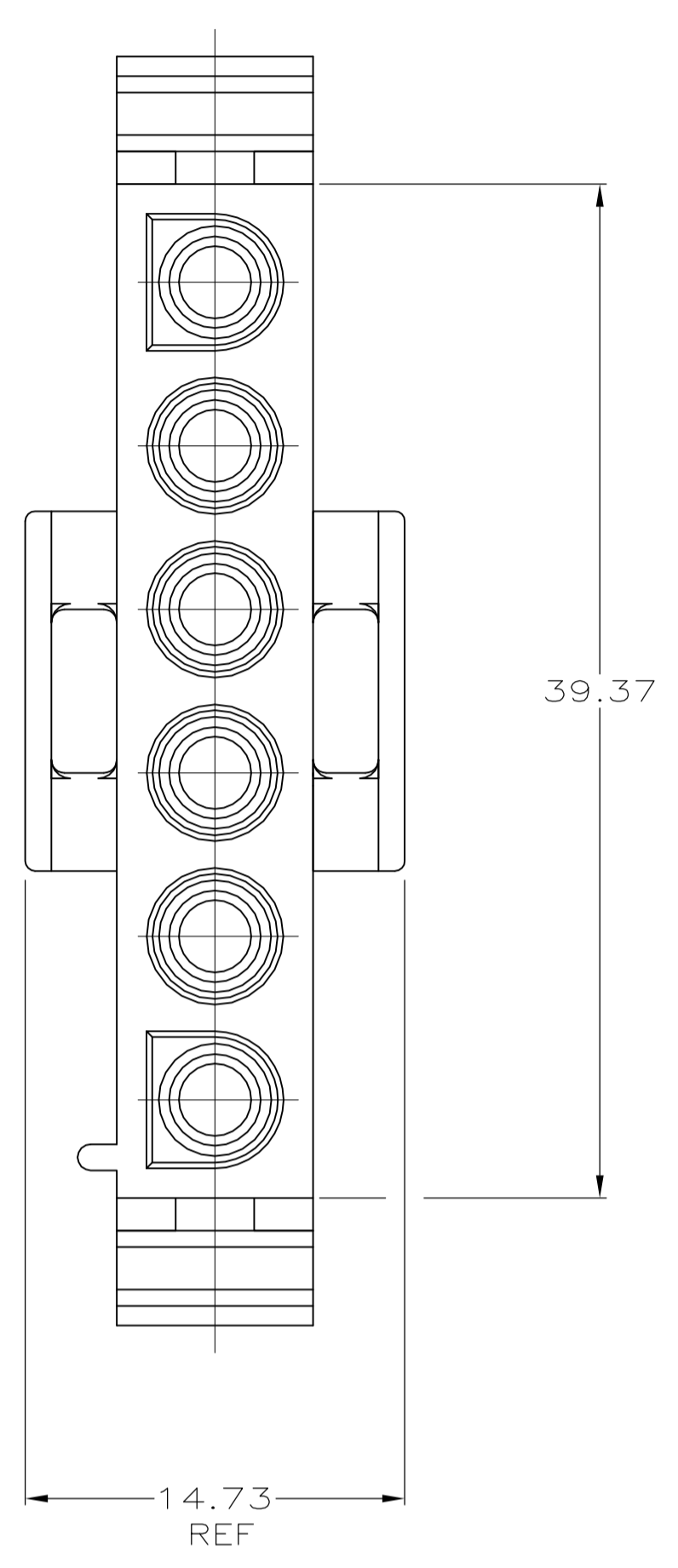
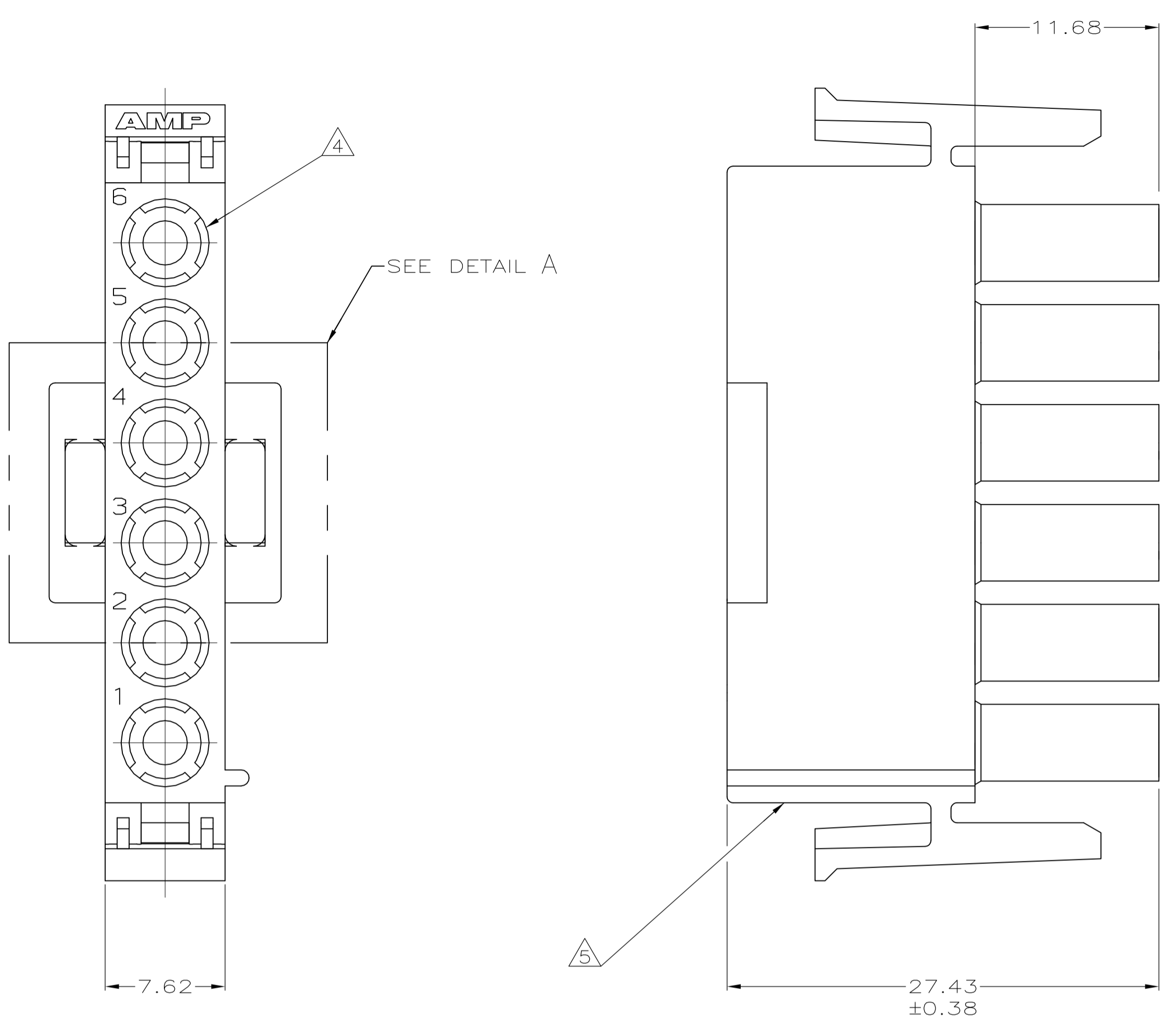
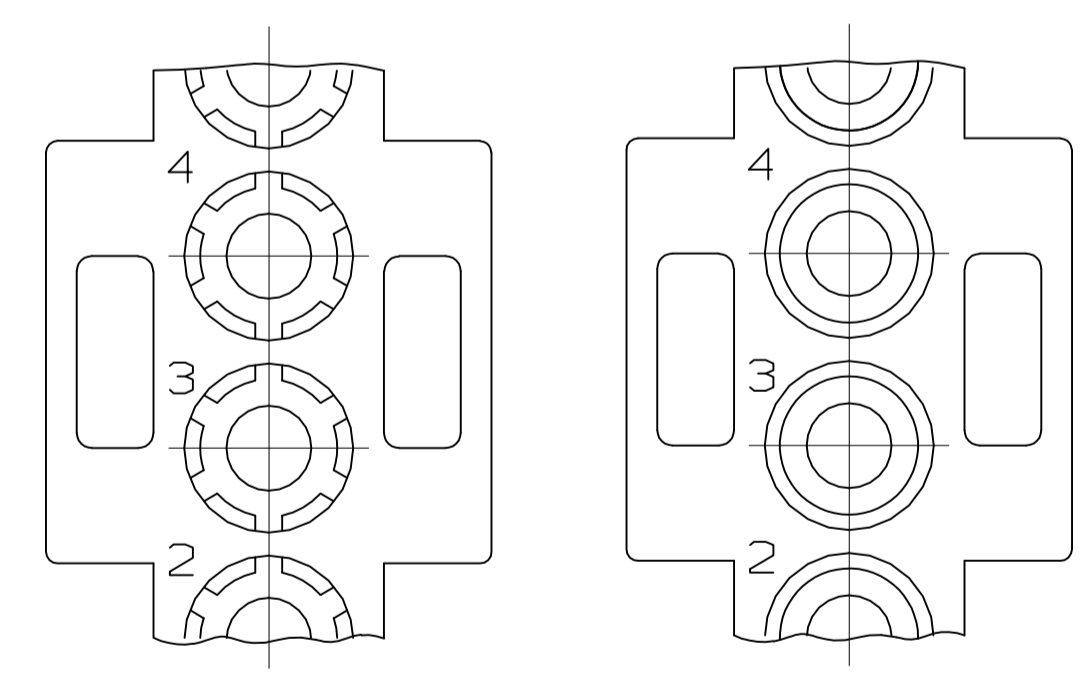
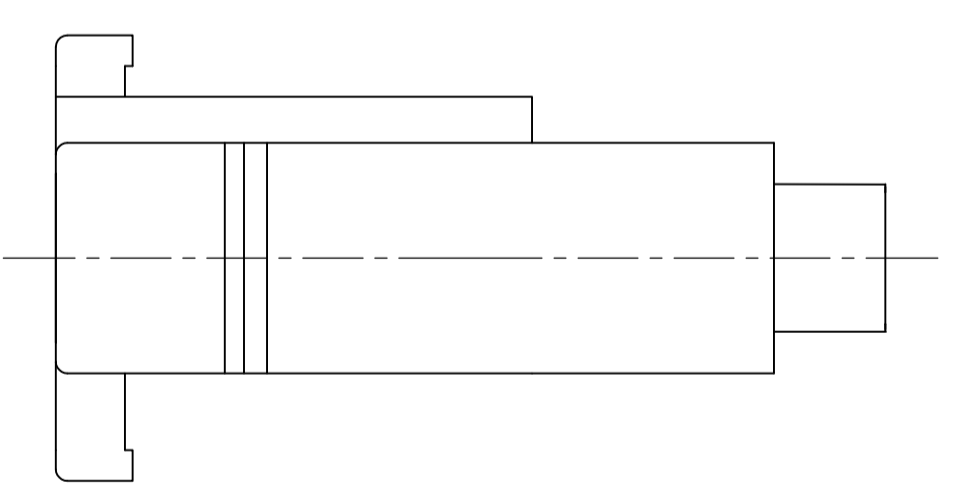


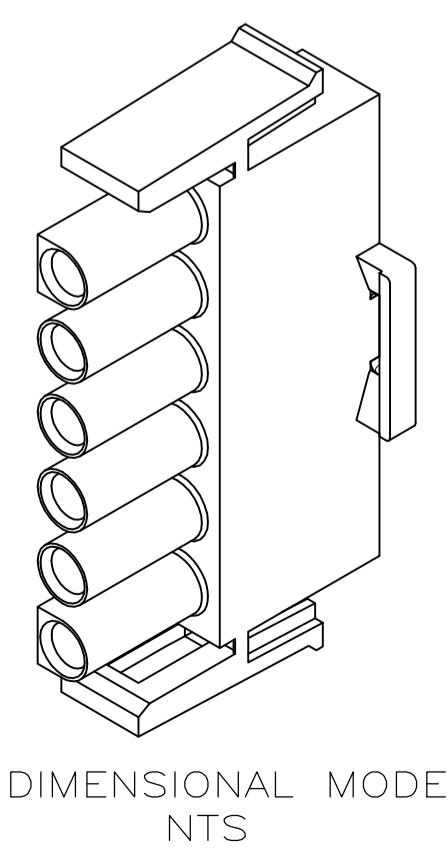
REVISIONS				
P	LTR	DESCRIPTION	DATE	APP'D
T1		REVISED PER ECR-17-008392	30JUN2017	BW KR



- MATES WITH APPROPRIATE UNIVERSAL MATE-N-LOK™ CAP OR HEADER.
 - SMALL NICKS ARE PERMITTED ON THE CIRCUIT TOWERS WHICH COULD INCREASE THE INITIAL HOUSING MATING FORCE BY UP TO 4.4 NEWTONS [1.0 LBS]. NO INDIVIDUAL NICKED TOWER SHALL INCREASE THIS FORCE BY OVER 2.2 NEWTONS [.5 LBS].
 - DIMENSIONS SHOWN REPRESENT PRODUCT IN DRY, AS MOLDED, CONDITION. ADDITIONAL 2% GROWTH DUE TO SUBSEQUENT MOISTURE ABSORPTION MAY OCCUR AND SHOULD BE ACCOUNTED FOR.
- △ FOUR RIBS EQUALLY SPACED, NO SPECIFIC ORIENTATION. NO RIBS OR SIX RIBS EQUALLY SPACED, NO SPECIFIC ORIENTATION, OPTIONAL.
- △ UNDERWRITERS RECOGNIZED COMPONENT LOGO AND CSA CERTIFICATION LOGO TO BE LOCATED ONCE EACH ON SIDE OF HOUSING.



DETAIL A
OPTIONAL CONSTRUCTIONS



MM	IN
39.37	1.550
27.43	1.080
14.73	.580
11.68	.460
7.62	.300
0.38	.015
0.13	.005
MM	IN

CONVERSION TABLE

640585-1
PART NUMBER

THIS DRAWING IS A CONTROLLED DOCUMENT.		DWG: K. WHITAKER 2-27-92	TE Connectivity	
DIMENSIONS: mm[INCHES]		CHK: R. SWING 2-27-92	NAME: PLUG, 6 CIRCUIT, UNIVERSAL MATE-N-LOK™	
TOLERANCES UNLESS OTHERWISE SPECIFIED:		APP'D: D. SELF 3-5-92	PRODUCT SPEC: APPLICATION SPEC	
0. PLC ± -		SIZE: A1		
1. PLC ± -		CAGE CODE: 00779		
2. PLC ± 0.13		DRAWING NO: 640585		
3. PLC ± -		RESTRICTED TO: -		
4. PLC ± -		WEIGHT: 0.000000		
ANGLES: ± 0°30'		CUSTOMER DRAWING		
MATERIAL: NYLON, UL 94V-2 NYLON		SCALE: 4:1 SHEET 1 OF 1 REV T1		