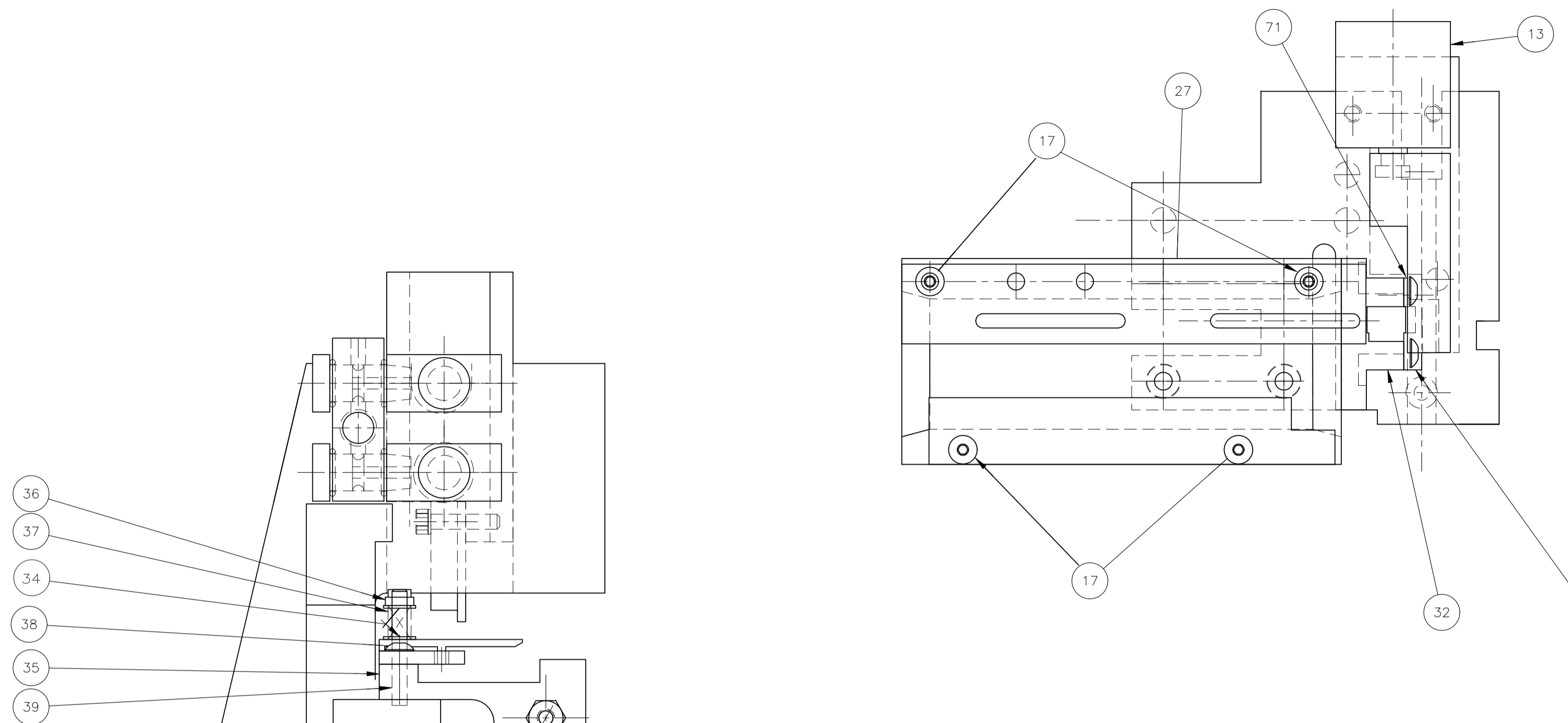
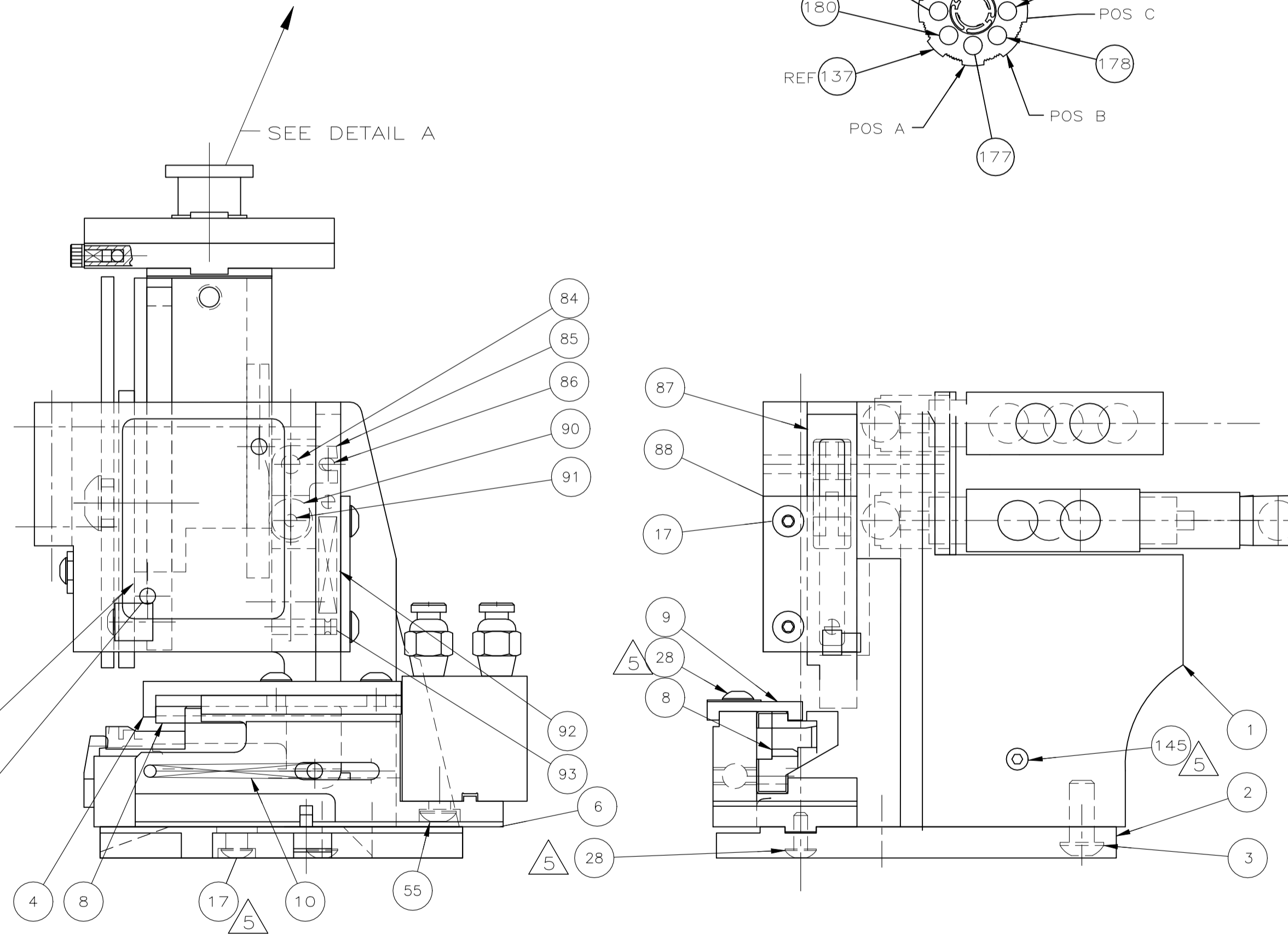
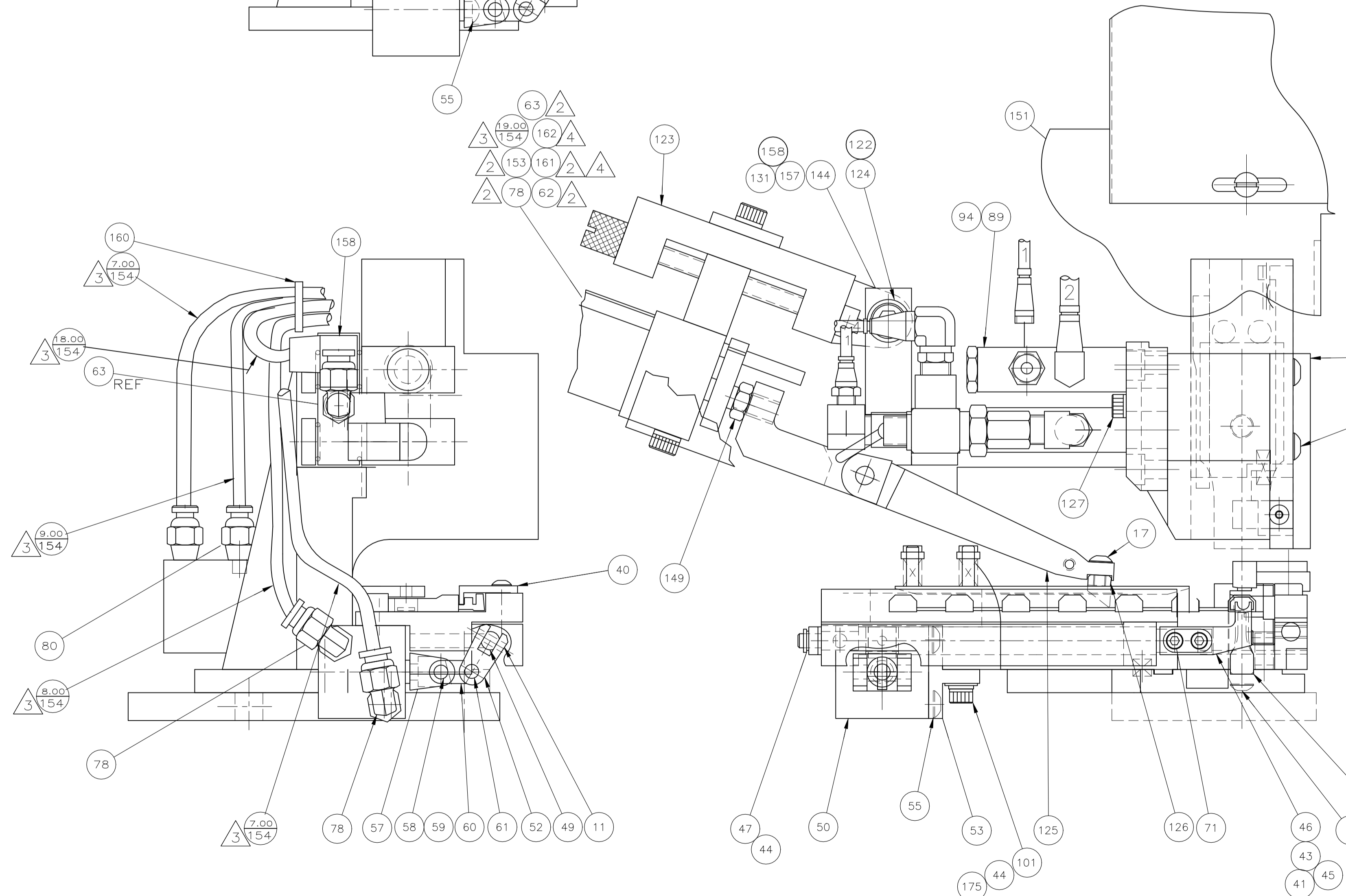
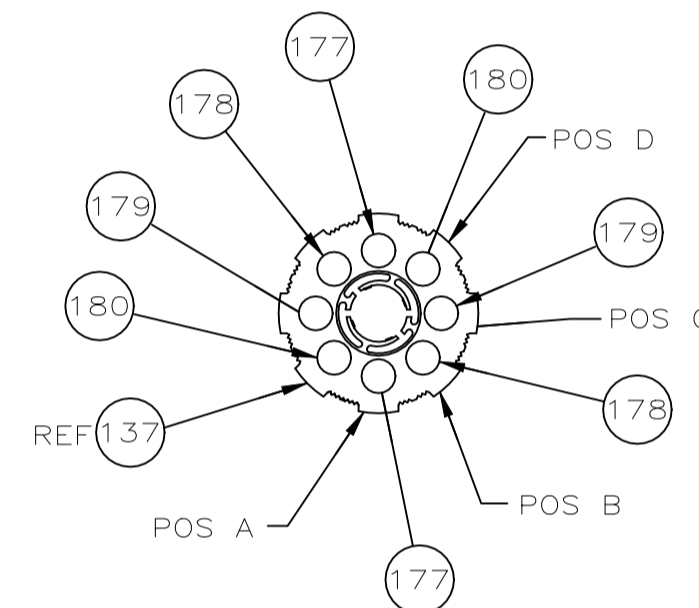


REVISIONS				
P	LTR	DESCRIPTION	DATE	APPD
-	-	SEE SHEET 1	-	-



RIGHT SIDE VIEW OF DETAIL A

DETAIL A



SEE DETAIL A

THIS DRAWING IS A CONTROLLED DOCUMENT.		DIN C. ERISMAN 22JUN99		TE Connectivity		MACHINE REF MINI APPL	
DIMENSIONS: INCHES		TOLERANCES UNLESS OTHERWISE SPECIFIED:				NAME ULTRA-POD APPLICATOR .250 STRAIGHT	
0. PLC ± .005		1. PLC ± .005		APVD T. ELBIN 22JUN99		RESTRICTED TO	
2. PLC ± .005		3. PLC ± .005		PRODUCT SPEC		SIZE CASE CODE DRAWING NO	
4. PLC ± .005		ANGLES ± .005		APPLICATION SPEC		A1 00779C=680834	
MATERIAL		FINISH		WEIGHT		SCALE 1:1 SHEET 2 of 2 REV J	
				CUSTOMER DRAWING		SHEET 2 of 2 REV J	