

PART NUMBER	REV	FIRST USED	POWER UNIT	FEED TYPE
680882-1	E	354500-1	LEADMAKER/BENCH MODEL G	AIR FEED
680882-2	E	852070-1	BENCH MODEL K	AIR FEED

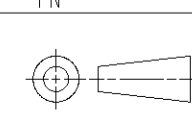
- 1 RECOMMENDED SPARE PARTS.
- 2 GREASE LIGHTLY.
- 3 LUBRICATE DAILY USING NO.20 MACHINE OIL.
- 4 CHANGE TERMINAL POSITIONER AS REQUIRED TO KEEP TERMINAL ON CENTER OF ANVIL. FASTEN EXTRA TERMINAL POSITIONER TO APPLICATOR.
- 5 AFTER ASSEMBLY OF APPLICATOR, PROPER SPRING PRESSURE (ITEM 34) CAN BE OBTAINED BY TIGHTENING SET SCREW (ITEM 105) UNTIL CONTACT IS MADE WITH SPACER (ITEM 32) THEN TIGHTEN AN ADDITIONAL 5 1/2 - 6 REVOLUTIONS.)
- 6 GUARD MUST BE IN PLACE WHEN OPERATING APPLICATOR IN A BENCH MACHINE.
- 7 APPLY LOCTITE TO ITEM 93 AT ASSEMBLY.

TERMINAL NAME: BRUSH CONTACT, TAB-LOCK						
-	62008	AMP TERMINAL - AMP CRIMP SPECS				
-	1217218					
-	-	PAD LTR	CRIMP HEIGHT	WIRE SIZE	Ø SOLDER	
-	-	A	.062±.002	14	-	
-	-	B	.056±.002	16	-	
-	-	C	.052±.002	18	-	
-	-	D	.048±.002	20	-	
-	-	CRIMP	SIZE	TYPE	RANGE	
-	-	WIRE	.140	TAB LOC	20-14	
-	-	INSUL	-	-	-	
WIRE STRIP LENGTH	TERM APPL SPEC	FEED	APPL INSTRUCTIONS	SET UP GAGE	LAYOUT	
.187-.217	114-2078	.480	A1-8037	-	-	

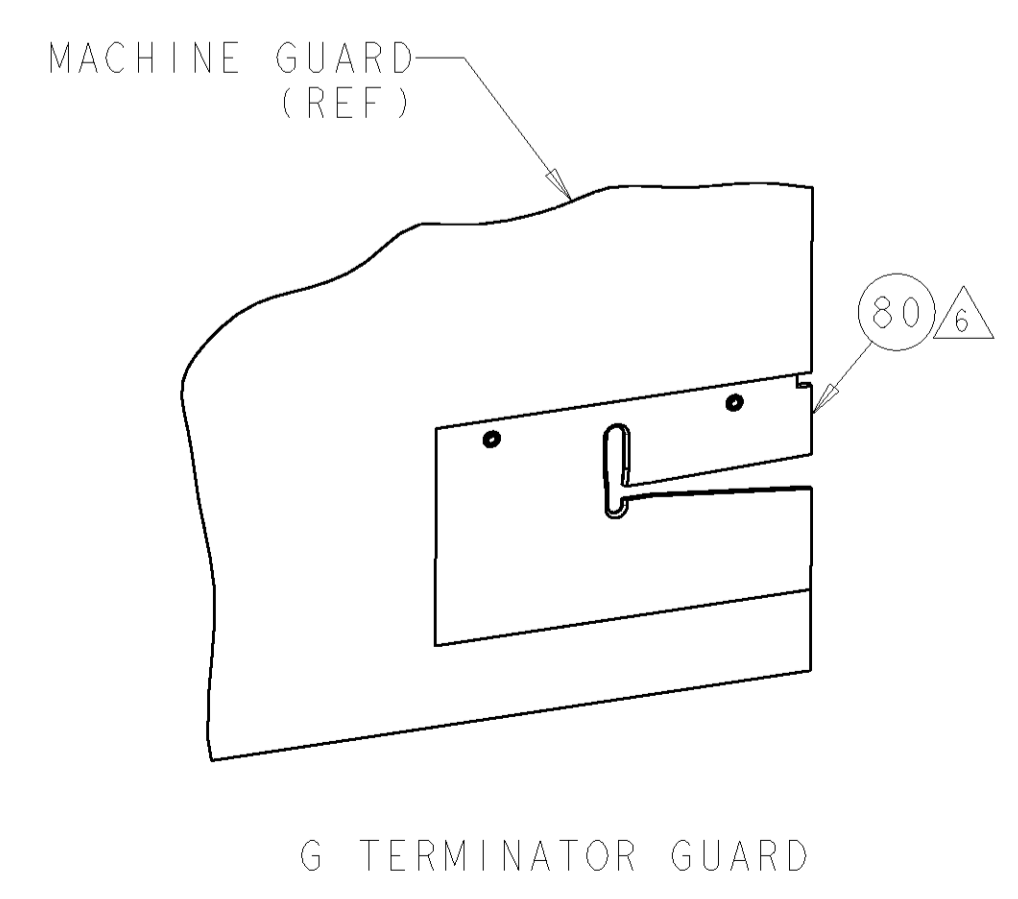
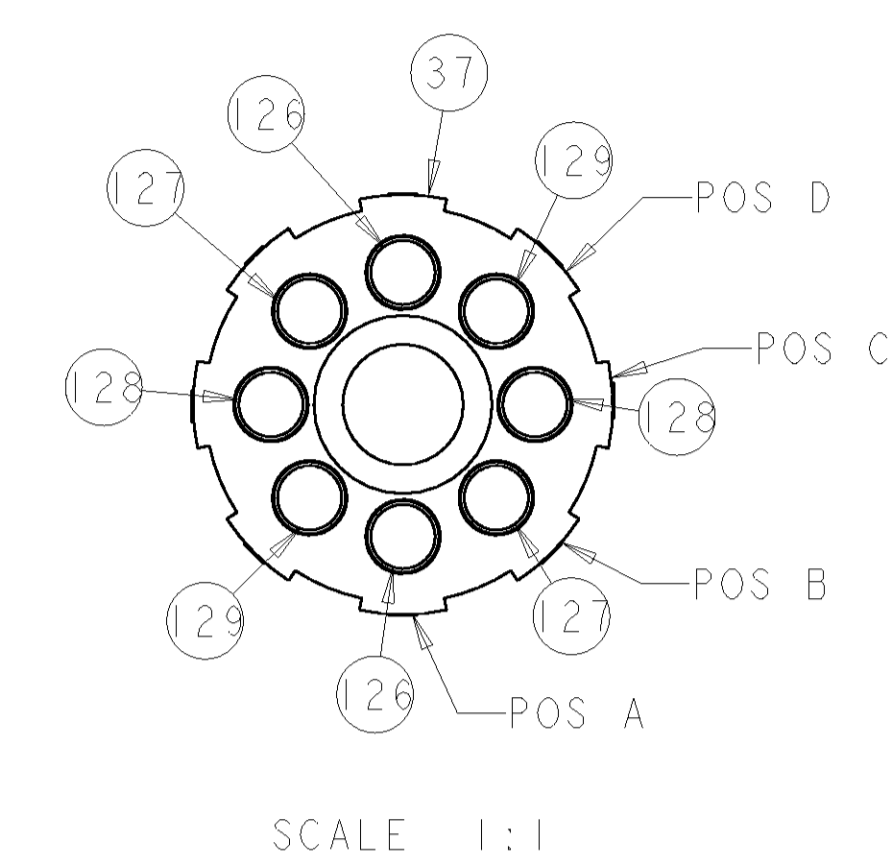
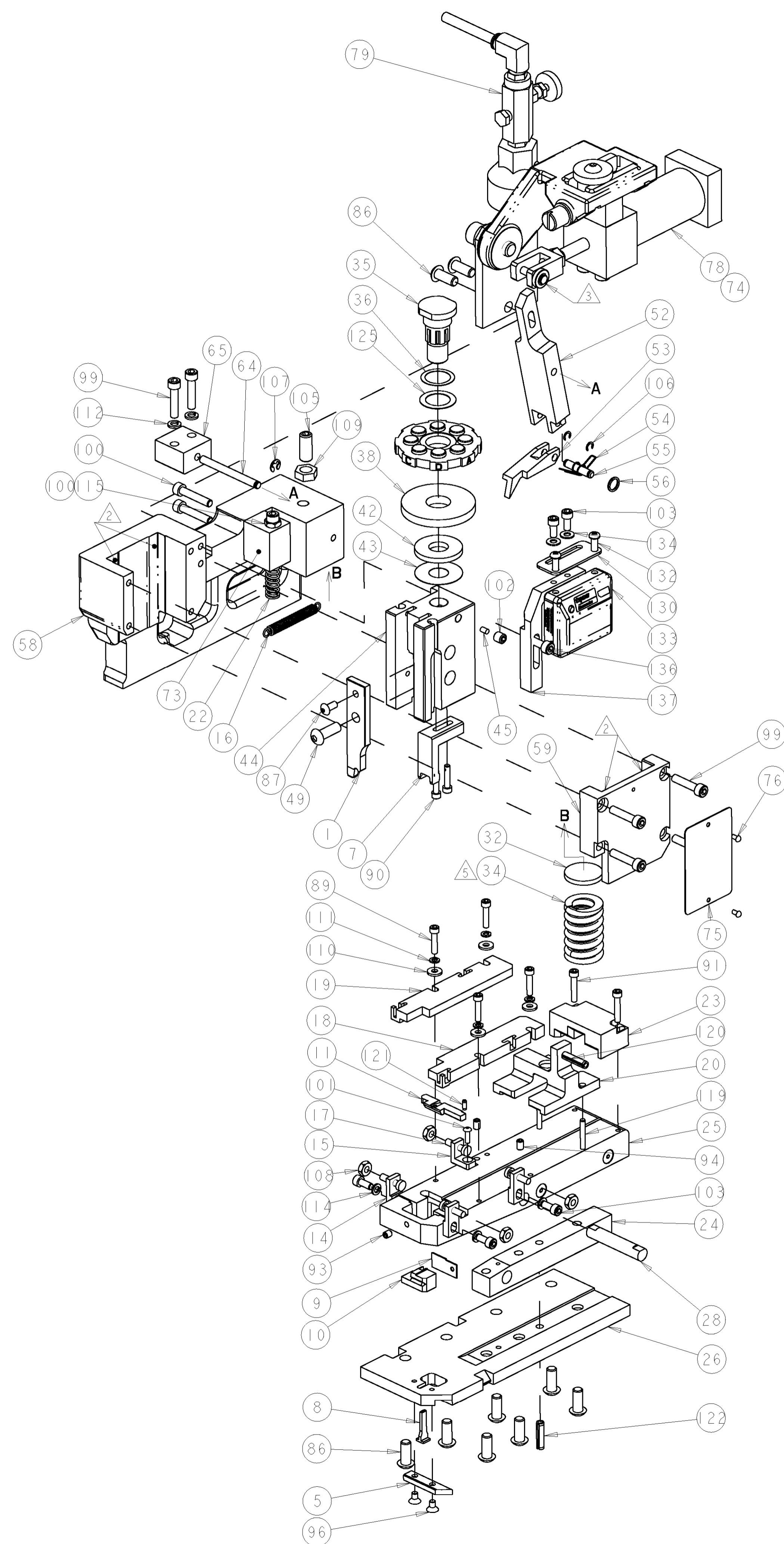
LOC	DIST	REVISIONS					
A	66	P	LTR	DESCRIPTION	DATE	DWN	APVD
		E		ECR-07-006533	27MAR2007	BW	TE

2	2	-	2-24607-7	SCR, FLT, (6-32x.25)	96
2	2	-	4-21006-0	SCR, SET, CUP POINT 8-32 X .250	94
1	1	-	21061-9	SCR, SET, CONE POINT 8-32 X .250	93
2	2	-	2-21000-2	SCR, SKT HD CAP 6-32 X .750	91
2	2	-	23030-4	SCR, SKT HD CAP, S-LOCK, 6-32 X .625	90
4	4	-	2-21000-1	SCR, SKT HD CAP 6-32 X .625	89
1	1	-	2-21002-1	SCR, BTN SKT HD CAP 8-32 X .375	87
10	10	-	3-21002-4	SCR, BTN SKT HD CAP 1/4-20 X .625	86
-	1	..	679532-1	INSERT, GUARD	82
1	1	-	24042-2	VALVE, SHUT-OFF	81
1	-	-	457244-2	GUARD ASSEMBLY	80
1	-	-	692655-1	AIR FEED VALVE ASSY	79
1	-	-	457098-4	AIR FEED ASSEMBLY	78
1	-	-	694427-1	PLATE, APPLICATOR, MOUNTING	77
2	2	-	21017-2	SCREW, DRIVE	76
1	1	-	461264-1	PLATE, IDENTIFICATION	75
-	1	-	462622-3	AIR FEED ASSEMBLY	74
1	1	-	458969-1	SPRING RETAINER, DRAG	73
1	1	-	456987-1	BLOCK, PIVOT	65
1	1	-	457058-1	PIN, PIVOT	64
1	1	-	455164-1	CAP, RAM	59
1	1	-	461853-1	HOUSING, MODIFIED	58
1	1	-	25745-1	RING, SPLIT	56
1	1	-	240624-1	PIN, FEED FINGER	55
1	1	-	691499-1	SPRING-FEED FINGER	54
1	1	-	1-690584-3	FINGER, FEED	53
1	1	-	457057-1	PIVOT ARM	52
1	1	-	3-21002-5	SCR, BTN SKT HD CAP 1/4-20 X .750	49
1	1	-	690191-1	PLUG, NYLON	45
1	1	-	691533-1	RAM, SPECIAL	44
1	1	-	690125-1	SHIM SUB-ASSY	43
1	1	-	690124-4	WASHER, RAM (.135)	42
1	1	-	690223-2	SPACER, INS.	38
1	1	-	354777-1	WIRE DISC, ASSEMBLY	37
1	1	-	22480-5	WASHER, WAVE SPRING	36
1	1	-	690212-1	POST, RAM	35
1	1	-	3-23846-5	SPRING, DIE	34
1	1	-	690573-1	SPACER, SPRING	32
1	1	-	690582-1	PIN, HINGE	28
1	1	-	455946-1	PLATE, BASE	26
1	1	-	462033-1	HINGE BAR	25
1	1	-	690571-1	STABILIZER	24
1	1	-	460469-1	BLOCK, SPRING PRESS	23
1	1	-	7-22282-5	SPRING, COMPRESSION	22
1	1	-	458960-3	DRAG	20
1	1	-	462031-1	GUIDE, REAR STRIP	19
1	1	-	462032-1	GUIDE, FRONT STRIP	18
4	4	-	461906-1	SCREW, STRIP GUIDE ADJUSTING	17
1	1	-	2-22287-3	SPRING, EXTENSION	16
1	1	-	461905-1	STOP, STRIP GUIDE	15
3	3	-	810417-1	STOP, STRIP GUIDE	14
1	1	-	691525-6	PLATE, REAR SHEAR	11
1	1	-	455838-1	ANVIL INSERT	10
1	1	-	690569-5	PLATE, SHEAR, FRONT	9
1	1	-	455945-1	ANVIL, REVERSIBLE	8
1	1	-	691532-6	SHEAR BLADE MINI APPLICATOR	7
1	1	-	691522-1	PLATE, ANVIL RETAINING	5
1	1	-	691531-5	WIRE CRIMPER, REVERSIBLE PREMIUM	1
-2	-1	U/M	PART NO	DESCRIPTION	ITEM NO

1	1	-	1976348-1	L-BRACKET, COUNTER	137
1	1	-	3-21000-6	SCR, SKT HD CAP 10-32 X .625	136
2	2	-	18028-2	WASHER, FLAT, REG M4	134
1	1	-	1804300-1	ASSEMBLY, APPLICATOR COUNTER	133
2	2	-	994991-5	SCREW, OVL HD, M4X12	132
1	1	-	1976349-1	BRACKET, COUNTER	130
2	2	-	5-354779-7	PIN, WIRE DISC (MARKED)	129
2	2	-	5-354779-0	PIN, WIRE DISC (MARKED)	128
2	2	-	4-354779-5	PIN, WIRE DISC (MARKED)	127
2	2	-	3-354779-1	PIN, WIRE DISC (MARKED)	126
1	1	-	986950-1	WASHER, FLAT PRECISION	125
1	1	-	21029-5	PIN, SLOTTED SPRING .188 X .750	122
1	1	-	3-21028-2	PIN, SLOTTED SPRING .094 X .250	121
1	1	-	21029-9	PIN, SLOTTED SPRING .188 X 1.000	120
2	2	-	21030-7	PIN, DOWEL .1250 X 1.250	119
1	1	-	21018-7	NUT, HEX, REG 10-32	115
3	3	-	21024-4	WASHER, SPRG LOCK, REG NO 8	114
2	2	-	21024-5	WASHER, SPRG LOCK, REG NO 10	112
4	4	-	21024-3	WASHER, SPRG LOCK, REG NO 6	111
5	5	-	21899-1	WASHER, FLAT	110
1	1	-	1-22202-7	NUT, HEX, JAM 5/16-24/UNF	109
4	4	-	21018-6	NUT, HEX, REG 8-32	108
1	1	-	1-21986-2	RING, RETAIN, EXTERN, 3/16 E-RING	107
2	2	-	21045-3	RING, RETAIN, EXTERN, 3/16 CRESCENT	106
1	1	-	8-21007-5	SCR, SET, CUP POINT 5/16-24 X .750	105
5	5	-	2-21000-6	SCR, SKT HD CAP 8-32 X .375	103
1	1	-	21009-2	SCR, SET, SELF LOCKING 1/4-20 X .250	102
1	1	-	1-21002-4	SCR, BTN SKT HD CAP 4-40 X .375	101
3	3	-	3-21000-9	SCR, SKT HD CAP 10-32 X 1.000	100
6	6	-	3-21000-8	SCR, SKT HD CAP 10-32 X .875	99

DIMENSIONS: IN 		TOLERANCES UNLESS OTHERWISE SPECIFIED: 0 PLC ± 1 PLC ± 2 PLC ± 3 PLC ± 4 PLC ± ANGLES ±		DWG: WEAVER 07FEB2007 CHK: T. ELBIN 07FEB2007 APVD: T. ELBIN 07FEB2007	tyco Tyco Electronics Harrisburg, PA 17105-3608
MATERIAL: - FINISH: -		WEIGHT: - CUSTOMER DRAWING: -		PRODUCT SPEC: - APPLICATION SPEC: - SIZE: A100779C-680882 SCALE: 1:1 SHEET 1 OF 2 REV E	

LOC		DIST		REVISIONS			
A	66	P	LTR	DESCRIPTION	DATE	DWN	APVD
		-		SEE SHEET 1	-	-	-



<small>THIS DRAWING IS UNPUBLISHED. RELEASED FOR PUBLICATION 2007. ALL RIGHTS RESERVED. THIS DRAWING IS THE PROPERTY OF TYCO ELECTRONICS CORPORATION. IT IS TO BE USED ONLY FOR THE PURPOSES AND ORGANIZATION SPECIFIED BY THE CUSTOMER. IT IS NOT TO BE REPRODUCED OR TRANSMITTED IN ANY FORM OR BY ANY MEANS, ELECTRONIC OR MECHANICAL, INCLUDING PHOTOCOPYING, RECORDING, OR BY ANY INFORMATION STORAGE AND RETRIEVAL SYSTEM, WITHOUT THE WRITTEN PERMISSION OF TYCO ELECTRONICS CORPORATION.</small>		DWN: B. WEAVER 07FEB2007 CHK: T. ELBIN 07FEB2007 APVD: T. ELBIN 07FEB2007	tyco Electronics Tyco Electronics Harrisburg, PA 17105-3608
DIMENSIONS: IN 		TOLERANCES UNLESS OTHERWISE SPECIFIED: 0 PLC ± 1 PLC ± 2 PLC ± 3 PLC ± 4 PLC ± ANGLES ± FINISH	NAME: END FEED HINGE BAR APPLICATOR PRODUCT SPEC: - APPLICATION SPEC: - SIZE: A 00779 C=680882 CUSTOMER DRAWING
MATERIAL: - FINISH: -		WEIGHT: - SCALE: 11:20	RESTRICTED TO: - SHEET 2 OF 2 REV E

CUSTOMER VIEWABLE ASSEMBLY