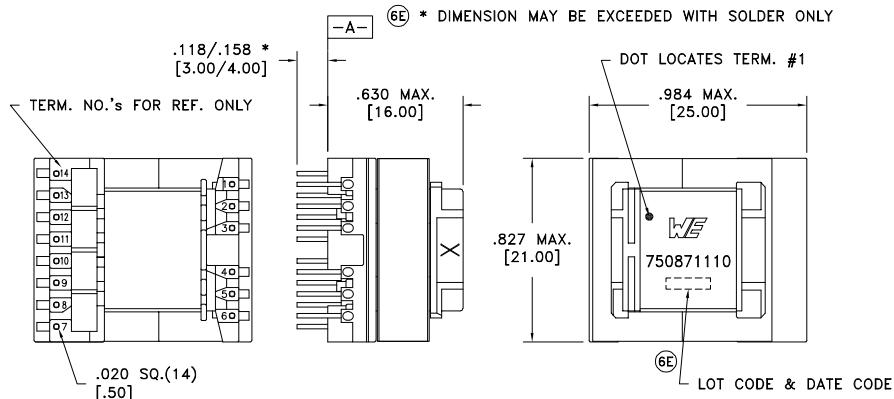


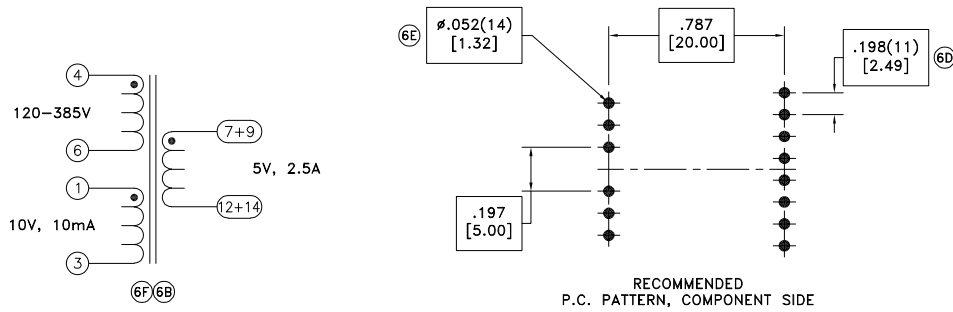
|                   |      |               |
|-------------------|------|---------------|
| CUSTOMER TERMINAL | RoHS | LEAD(Pb)-FREE |
| Sn96%, Ag4%       | Yes  | Yes           |



ELECTRICAL SPECIFICATIONS @ 25°C unless otherwise noted:

| PARAMETER             | TEST CONDITIONS                             | VALUE                |
|-----------------------|---|----------------------|
| D.C. RESISTANCE       | 4-6 @20°C                                   | 4.8 ohms max.        |
| D.C. RESISTANCE       | 3-1 @20°C                                   | 0.98 ohms max.       |
| D.C. RESISTANCE       | 7-12 tie(12+14, 7+9), @20°C                 | 0.04 ohms max.       |
| INDUCTANCE            | 4-6 10kHz, 100mVAC, Ls                      | 1.60mH ±10%          |
| 6B LEAKAGE INDUCTANCE | 4-6 tie(1+3+12+7+9+14), 100kHz, 100mVAC, Ls | 29uH typ., 48uH max. |
| DIELECTRIC            | 4-7 tie(4+1), 4800VAC, 1 second             | 4000VAC, 1 minute    |
| DIELECTRIC            | 1-4 1875VAC, 1 second                       | 1500VAC, 1 minute    |
| TURNS RATIO           | (4-6):(1-3)                                 | 7.2:1, ±2%           |
| TURNS RATIO           | (4-6):(7-12)                                | 14.4:1, ±2%          |

PART MUST INSERT FULLY TO SURFACE A IN RECOMMENDED GRID



6F Application of the transformer allows for the leadwires between terminals 14&12 and 7&9 to solder bridge.

6E Wire insulation & RoHS status not affected by wire color.  
 6E Wire insulation color may vary depending on availability.

|      |       |                                       |                             |  |                      |                  |                            |
|------|-------|---------------------------------------|-----------------------------|--|----------------------|------------------|----------------------------|
| REV. | DATE  | Packaging Specifications              | <p>CONVENTION PLACEMENT</p> | Tolerances unless otherwise specified:<br>Angles: ±1°<br>Fractions: ±1/64<br>Decimals: ±.005 [ .13]<br>Footprint: ±.001 [ .03] | DRAWING TITLE        | PART NO.         |                            |
| 6F   | 1/23  | Method: Tray                          |                             | This drawing is dual dimensioned. Dimensions in brackets are in millimeters.   | <b>TRANSFORMER</b>   | <b>750871110</b> |                            |
| 6E   | 11/16 | PKG-0736                              |                             |  |                      |                  |                            |
| 6D   | 8/13  | www.we-online.com/midcom              |                             |  |                      |                  |                            |
| 6C   | 12/10 | SEE REVISION SHEET FOR REVISION LEVEL |                             |  |                      |                  |                            |
|      |       |                                       |                             |  | eiSos p/n: 750871110 |                  | SPECIFICATION SHEET 1 OF 1 |