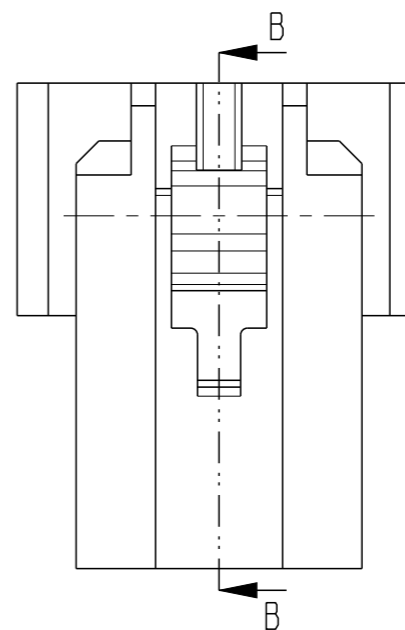
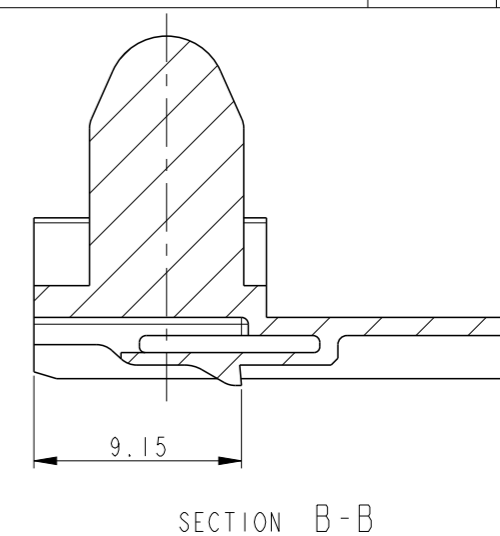
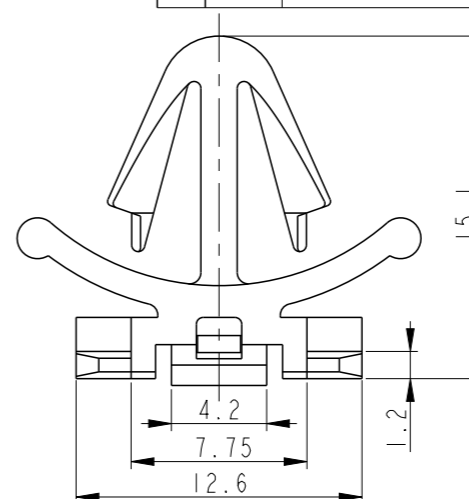
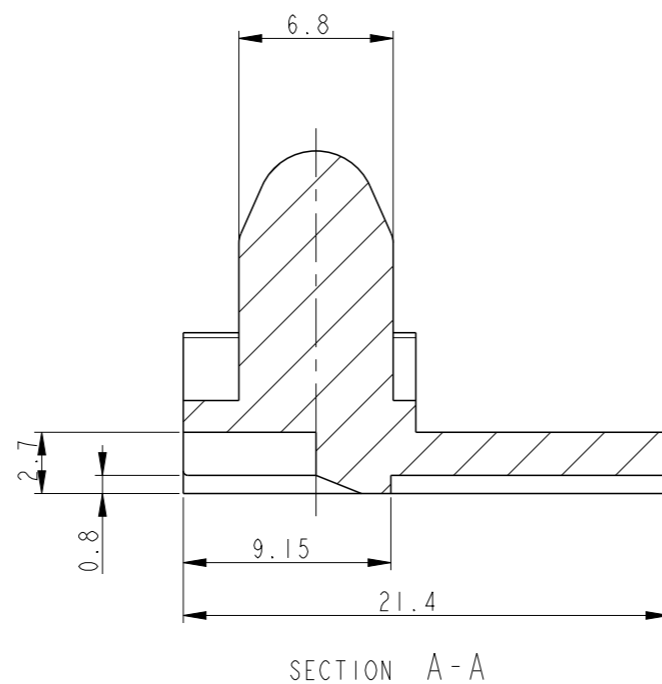
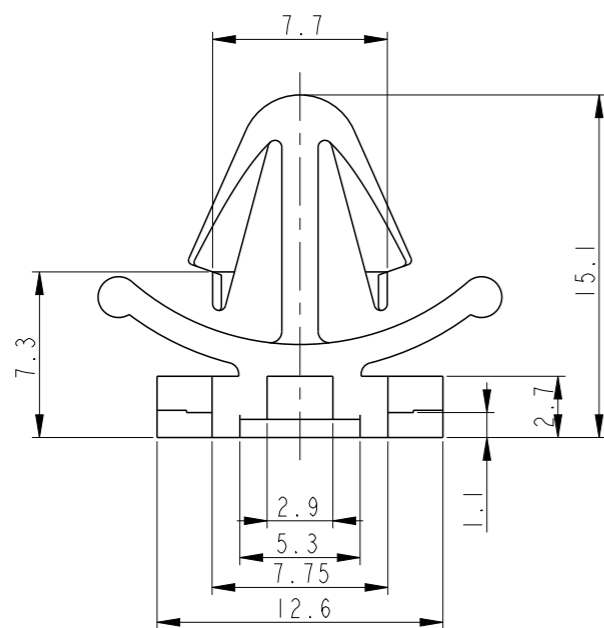
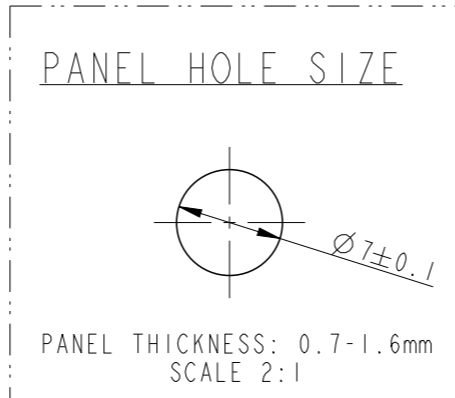
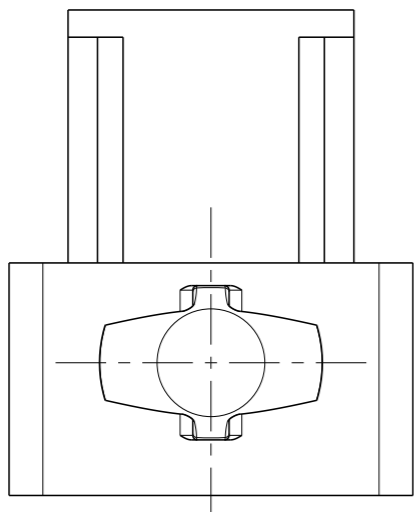


P	LTR	DESCRIPTION	DATE	DWN	APVD
A1		REVISED(ECO-11-005294)	13APR2011	PK	KMR
A2		REVISED(ECR-19-009605)	12SEP2017	CH	YJ

85229-11-2

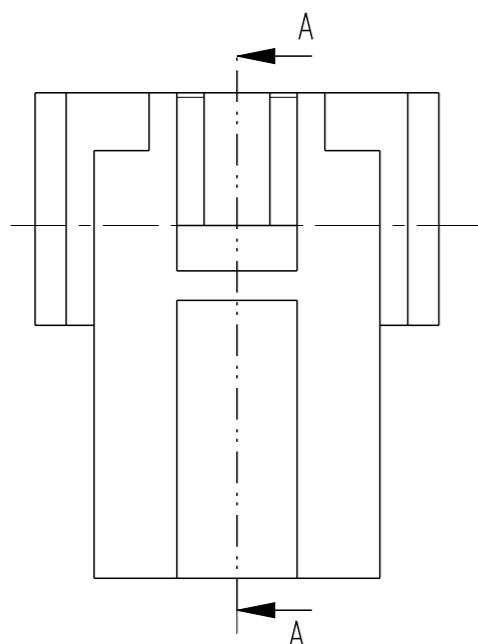


1-85229-3
CONVERSION PART.

NOTE

1. APPLICABLE PANNEL THICKNESS : SEE PANNEL VIEW

3	GRAY	PK	CLIP HSG	1-85229-3
2	BROWN	NYLON 66	CLIP HSG	85229-2
1	BLACK	NYLON 66	CLIP HSG	85229-1
NO	COLOR	MATERIAL	DESCRIPTION	P/N

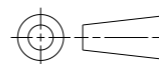


TOLERANCE UNLESS OTHERWISE SPECIFIED

0 <XX<10	±	0.2
10<XX<30	±	0.25
30<XX	±	0.3
ANGLES	±	3°

THIS DRAWING IS A CONTROLLED DOCUMENT.

DIMENSIONS:
mm



MATERIAL
SEE TABLE

TOLERANCES UNLESS OTHERWISE SPECIFIED:

0 PLC	±
1 PLC	±
2 PLC	±
3 PLC	±
4 PLC	±
ANGLES	±3
FINISH	N/A

DWN
CH CHO
CHK
DG JEONG
APVD
YJ YOUN
PRODUCT SPEC

APPLICATION SPEC

WEIGHT

CUSTOMER DRAWING

STE TE Connectivity

NAME
CLIP HSG FOR 070 & EJ
(7Ø PANNEL)

SIZE CAGE CODE DRAWING NO RESTRICTED TO

A3 00779 C-85229

SCALE 2:1 SHEET 1 OF 1 REV A2