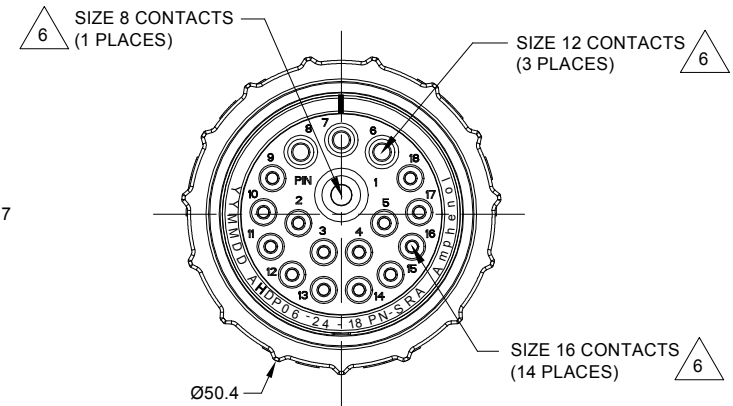
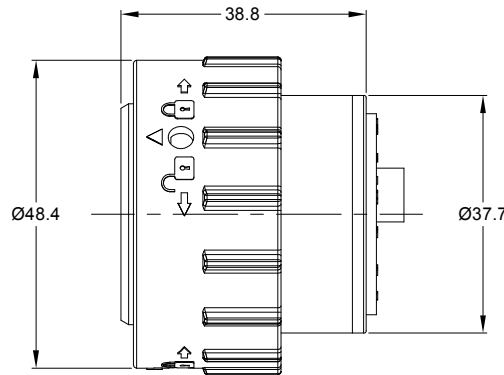
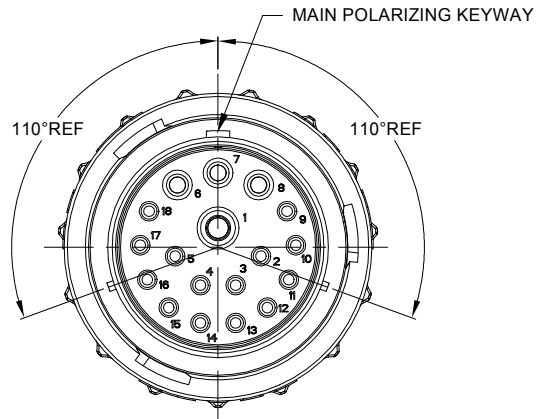


| REVISIONS |     |                     |         |     |       |
|-----------|-----|---------------------|---------|-----|-------|
| REV       | ECO | DESCRIPTION         | DATE    | BY  | APPR  |
| A1        | -   | RELEASE NEW DRAWING | 18MAY20 | IAN | TOMMY |
| A2        | -   | MODIFY PRODUCT NAME | 11AUG20 | IAN | TOMMY |

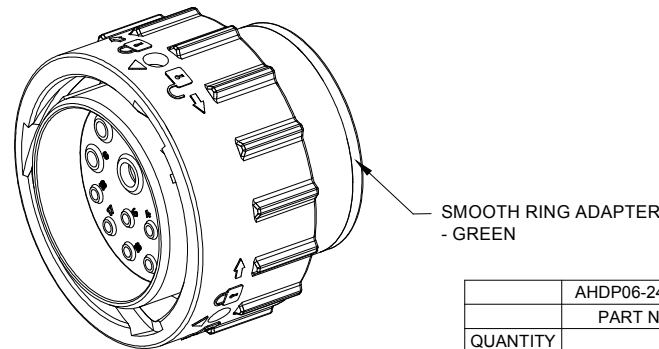


NOTES: UNLESS OTHERWISE SPECIFIED

- MATERIAL:  
HOUSING: THERMOPLASTIC; BLACK  
SEAL: SILICONE RUBBER
- MODIFICATIONS: SMOOTH RING ADAPTER (SRA);  
STANDARD DIA. WIRE SEAL.
- SPECIFICATIONS:
  - OPERATING TEMPERATURE: -55°C TO +125°C.
  - DIELECTRIC WITHSTANDING VOLTAGE: LESS THAN 2 MILLIAMPS CURRENT LEAKAGE @ 1500 VOLTS AC.
  - INSULATION RESISTANCE: 1000 MEGOHM MIN @ 25°C.
  - MOISTURE RESISTANCE: IP67&IP69K ( MATED CONDITION ).
  - MATING CYCLE DURABILITY: 100 CYCLES
  - RoHS COMPLIANT
- MATING PART: AHDP04-24-18S\* (\* = SEAL TYPE)
- ALL DIMENSIONS ARE FOR REFERENCE USE ONLY.

6 CONTACT SIZE AND WIRE RANGE:

| CONTACT SIZE | MIN. INSUL O.D.   | MAX. INSUL O.D.    | TYPICAL WIRE RANGE                  | CURRENT RATING |
|--------------|-------------------|--------------------|-------------------------------------|----------------|
| 8            | 4.83 mm (.190 in) | 6.10 mm (0.240 in) | 8-10 AWG (10.0-5.0mm <sup>2</sup> ) | 60 AMPS        |
| 12           | 3.40 mm (.134 in) | 4.32 mm (.170 in)  | 10-14 AWG (6.0-2.0mm <sup>2</sup> ) | 25 AMPS        |
| 16           | 2.50 mm (.100 in) | 3.40 mm (.134 in)  | 14-20 AWG (2.0-0.5mm <sup>2</sup> ) | 13 AMPS        |



|                                      |  |  |  |
|--------------------------------------|--|--|--|
| AHPD06-24-18PN-SRA                   |  | REF:HDP26-24-18PN  |  |
| PART NUMBER                          |  | DESCRIPTION  |  |
| QUANTITY                             |  | MATERIALS LIST   |  |
| UNLESS OTHERWISE SPECIFIED           |  | SIGNATURES   |  |
| 1) All dimensions are in metric(mm). |  | DATE   |  |
| 2) Tolerances are as follows:        |  | DRAWN: WANXIAO 11AUG20   |  |
| 1 PL DEC ±0.30                       |  | CHECKED: ORIONLI 12AUG20   |  |
| 2 PL DEC ±0.15                       |  | ENGINEER:  |  |
| 3 PL DEC ±0.08                       |  | APPROVAL: TOMMY.XIE 13AUG20  |  |
| 3) Note reference = 6                |  | CUSTOMER:  |  |
| MATERIAL SPECIFICATIONS:             |  | THIS DRAWING IS SUPPLIED FOR INFORMATION ONLY. DESIGN FEATURES, SPECIFICATIONS AND PERFORMANCE DATA SHOWN HEREON ARE THE PROPERTY OF THE AMPHENOL CORPORATION. NO RIGHTS OF REPRODUCTION ARE IMPLIED. ALL DIMENSIONS ARE SUBJECT TO NORMAL MANUFACTURING VARIATIONS. |  |
| PROCESS SPECIFICATIONS:              |  | SIZE TYPE DWG NO: B C- AHDP06-24-18PN-SRA A2   |  |
| NEXT ASSY:                           |  | SCALE NONE DURAMATE SHEET 1 OF 1   |  |

TITLE: PLUG, SIZE 24, 18-PIN, NORMAL SEAL, SRA, DURAMATE AHDP SERIES  
DWG NO.: AHDP06-24-18PN-SRA  
REV: A2  
SH: 1  
OF: 1

**Amphenol**

Sine Systems - www.amphenol-sine.com  
44724 Morley Drive  
Clinton Township, MI 48036

PLUG, SIZE 24, 18-PIN  
NORMAL SEAL, SRA, DURAMATE AHDP SERIES