

6

5

4

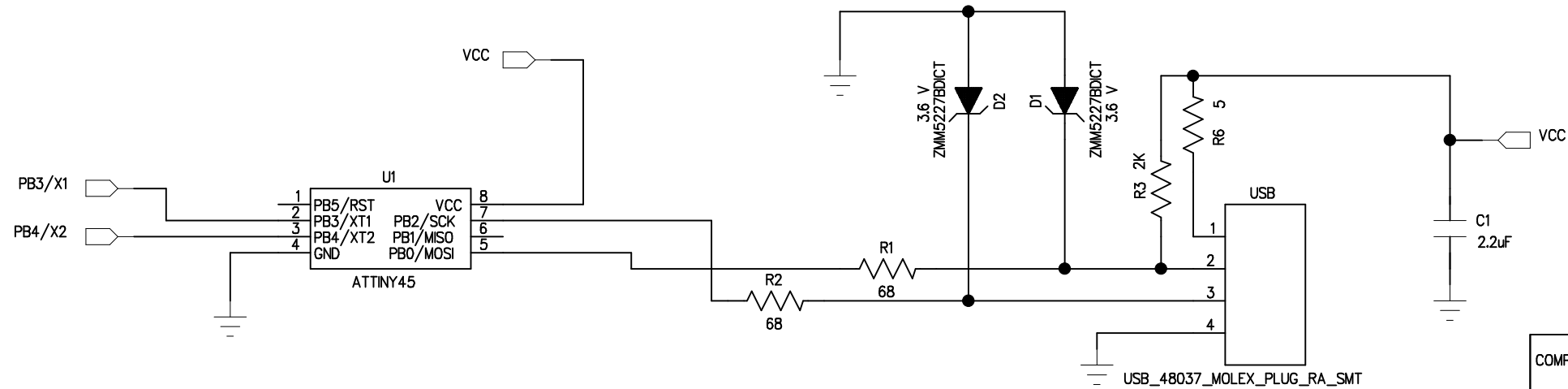
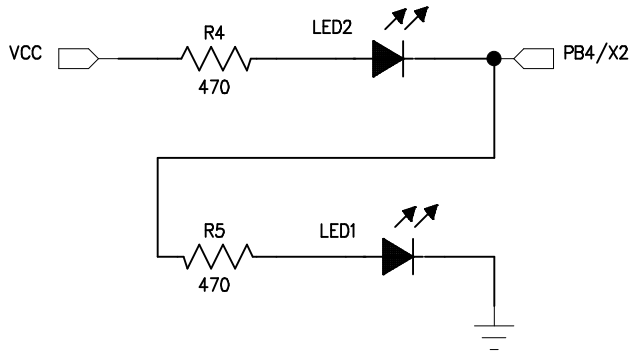
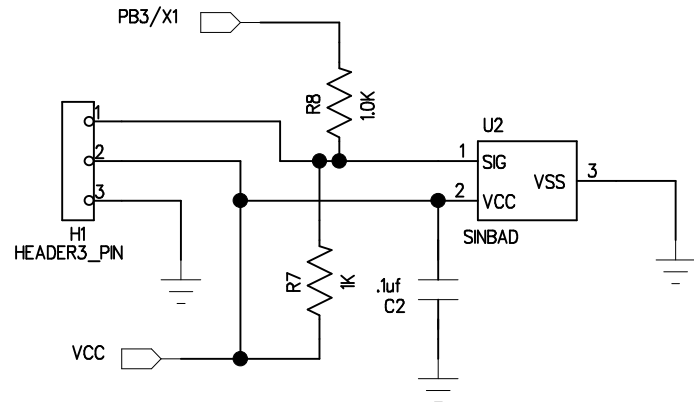
3

2

1

REVISION RECORD			
LTR	ECO NO:	APPROVED:	DATE:

NOTES



COMPANY: ATMEL			
TITLE: Rhino Plus			
DRAWN: M. LONG	DATED: 4-14-09	CODE:	REV: 1.0
CHECKED:	DATED:	SIZE: B	DRAWING NO:
QUALITY CONTROL:	DATED:	SCALE: NTS	
RELEASED:	DATED:	SHEET: 1 OF 1	

D

C

B

A

D

C

B

A