

CTL1206DPD1T DATASHEET

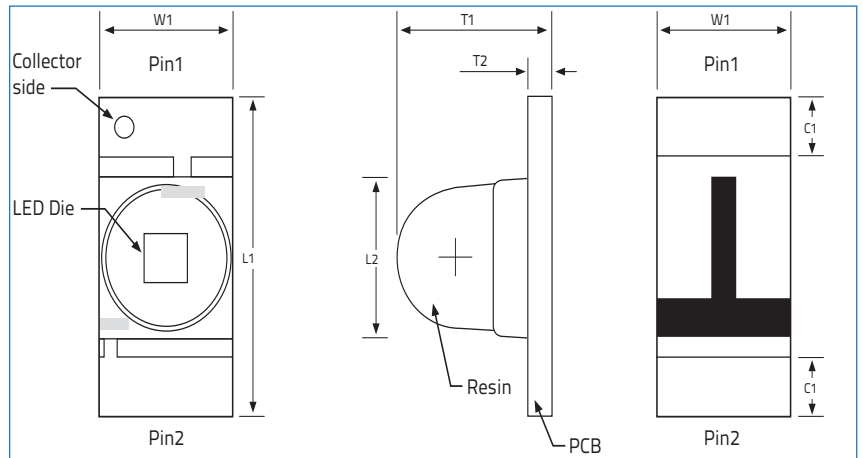
Chip Type LED, 1206, Dome Lens, Phototransistor



VENKEL LTD.

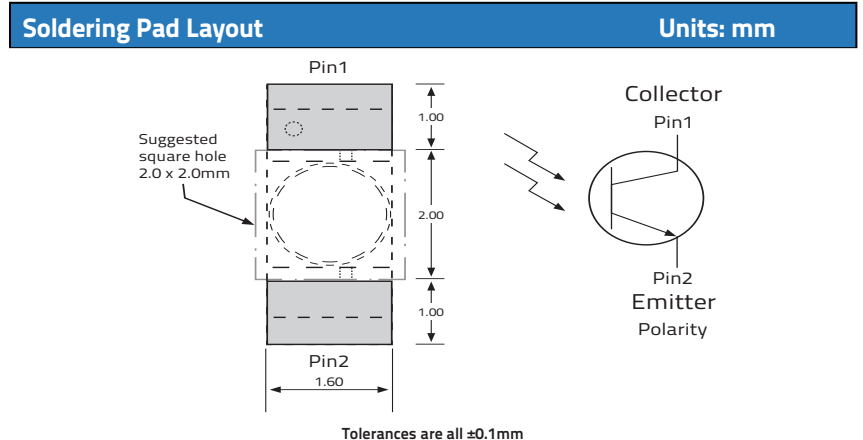
Part Number	Size	Emitting Color	Lens-Color	Rang of Spectral Bandwidth nm λD	Wavelength of Peak Sensitivity nm λP
CTL1206DPD1T	1206	Phototransistor	Black	700 min 1100 max	940

Electrical & Optical Specifications ($T_A=25^\circ C$)		PD1	Unit
Collector-Emitter Break-down Voltage ($I_C=100\mu A$)	BV_{CEO}	30	V
Emitter-Collector Break-down Voltage ($I_E=100\mu A$)	BV_{ECO}	5	V
On State Collector Current (max)	$I_{C(ON)}$	1.0	mA
Wavelength of Peak Sensitivity	λP	940	nm
Collector Dark Current ($V_{CE}=20V, E_E=0mW/cm^2$)	I_{CEO}	100	nA
Collector-Emitter Saturation Voltage MAX ($I_C=2mA, E_E=1mW/cm^2$)	$V_{CE(sat)}$	0.4	V
Rise Time Typ. ($V_{CE}=5V, I_C=1mA, R_L=1000\Omega$)	t_r	15	μS
Rise Time Typ. ($V_{CE}=5V, I_C=1mA, R_L=1000\Omega$)	t_f	15	μS



Dimensions		Units: Inches (mm)	
L_1	L_2	T_1	T_2
0.1259±0.004 (3.2±0.1)	0.063±0.004 (1.62±0.1)	0.0728±0.004 (1.85±0.1)	0.011±0.004 (0.29±0.1)
W	C1		
0.0629±0.004 (1.60±0.1)	0.0236±0.004 (0.60±0.1)		

Absolute Maximum Ratings ($T_A=25^\circ C$)		PD1	Unit
Collector Current	I_C	20	mA
Total Power Dissipation	P_{to}	150	mW
Operating Temperature	T_A	-40 ~ +85	$^\circ C$
Storage Temperature	T_{stg}	-40 ~ +100	



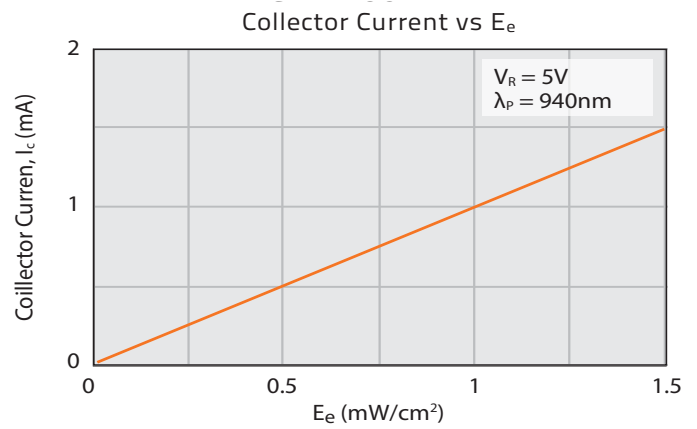
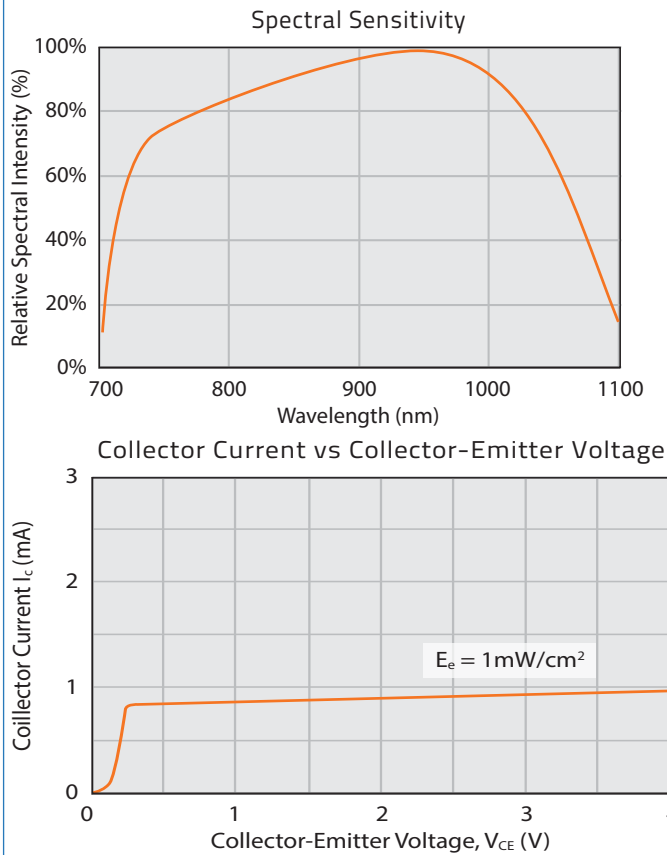
CTL1206DPD1T DATASHEET

Chip Type LED, 1206, Dome Lens, Phototransistor



VENKEL LTD.

Graphs



Environmental information

RoHS Status	6 of 6 Compliant
REACH Status	Compliant
Halogen Status	Halogen Free
Conflict Mineral Status	Conflict Mineral Free
Moisture Sensitivity Level (MSL)	3

Reflow profile

Max Reflow Temperature	260°C
Number of Reflow Cycles	2
Time at Max Reflow Temperature	10 seconds

CTL1206DPD1T DATASHEET

Chip Type LED, 1206, Dome Lens, Phototransistor



VENKEL LTD.

Label Example

Item: CTL1206DPD1T

Chip Type LED, 1206, Dome Lens, Phototransistor

Qty: 2000

D/C: 4019

Lot: 20160502001

BIN: B1

VENKEL LTD

YOUR SINGLE SOURCE FOR SURFACE MOUNT PASSIVES

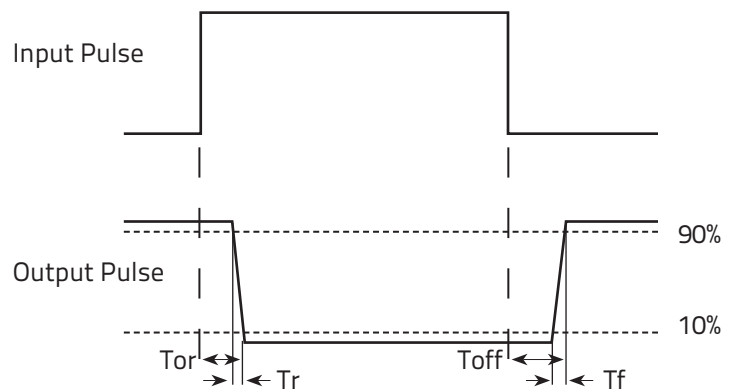
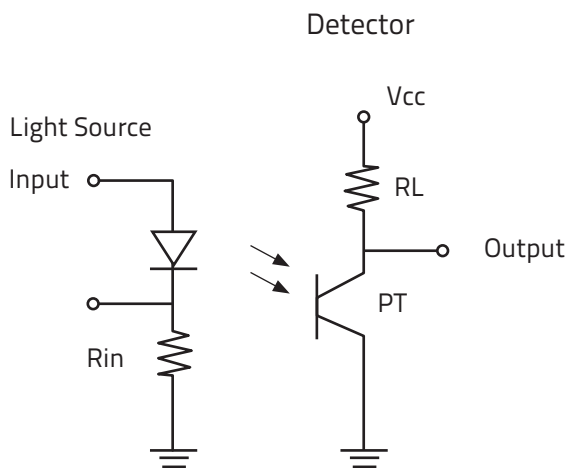
Codes:

BIN: Radiant Intensity

Radiant Intensity Classification (BIN Code)

BIN Code	I_c	
	Min.	Max.
B1	0.6	1.4

Test Circuit



Switching Time

CTL1206DPD1T DATASHEET

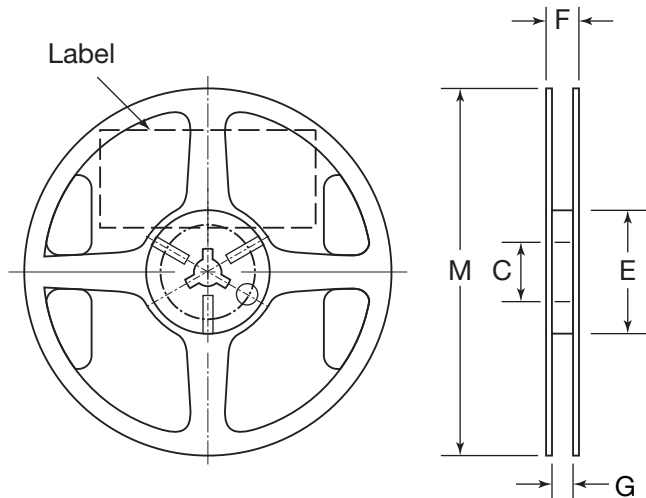
Chip Type LED, 1206, Dome Lens, Phototransistor



VENKEL LTD.

Reel Specifications

Units: mm



M	C	F	E	G
180±1.50	56.0±1.0	12.0±1.0	60.0±1.0	9.0±1.0

Packaging Specifications

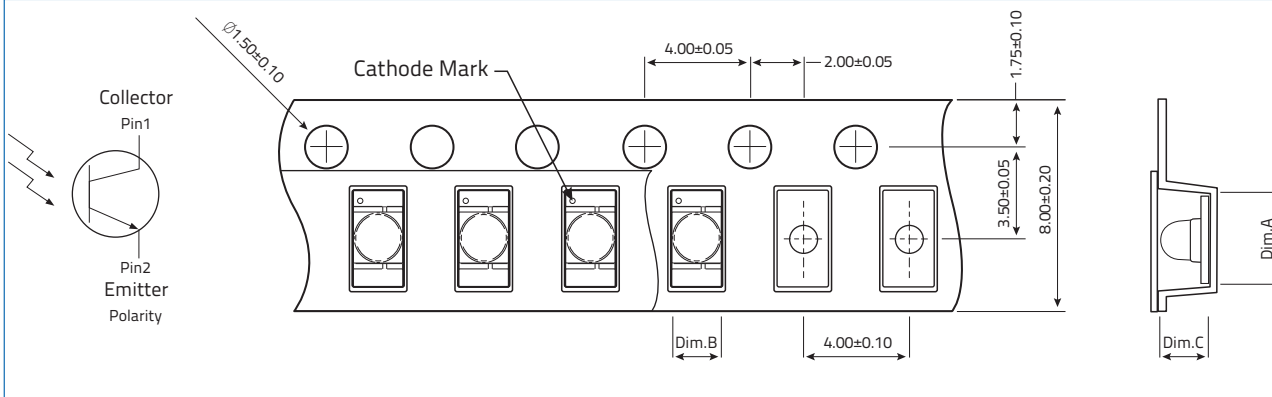
Reel Size:	7"
Quantity per Reel :	2,000

Storage Specifications

1. Storage temperature and RH: 5°C~35°C, RH60%
2. Once the package is opened, the LEDs should be used within a week. Otherwise, they should be kept in a moisture proof bag with desiccant. We suggest that you use this product within one year from date code.
3. If opened for more than one week in an atmosphere of 5°C~35°C, RH60%. The parts should be heat treated at 60°C±5°C for 15 hours.

Tape Specifications

Units: mm



C	A	B
2.17±0.10	3.37±0.10	1.78±0.10