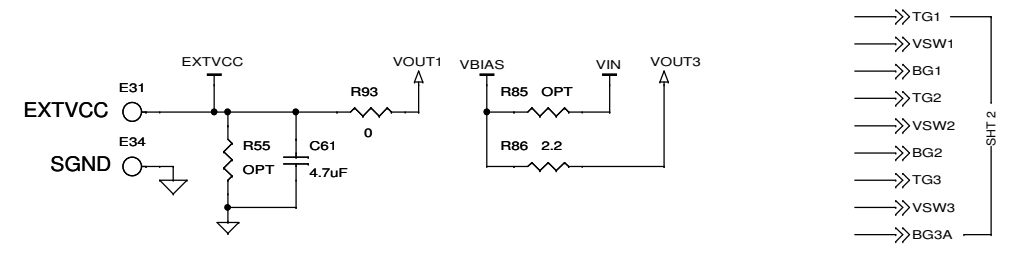
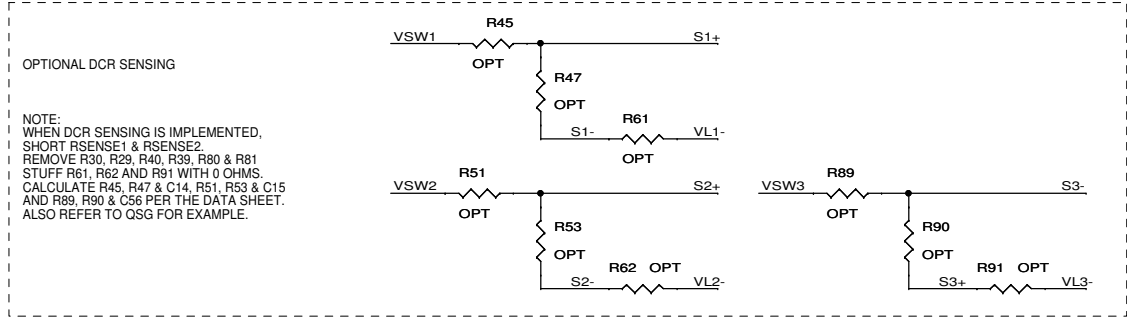
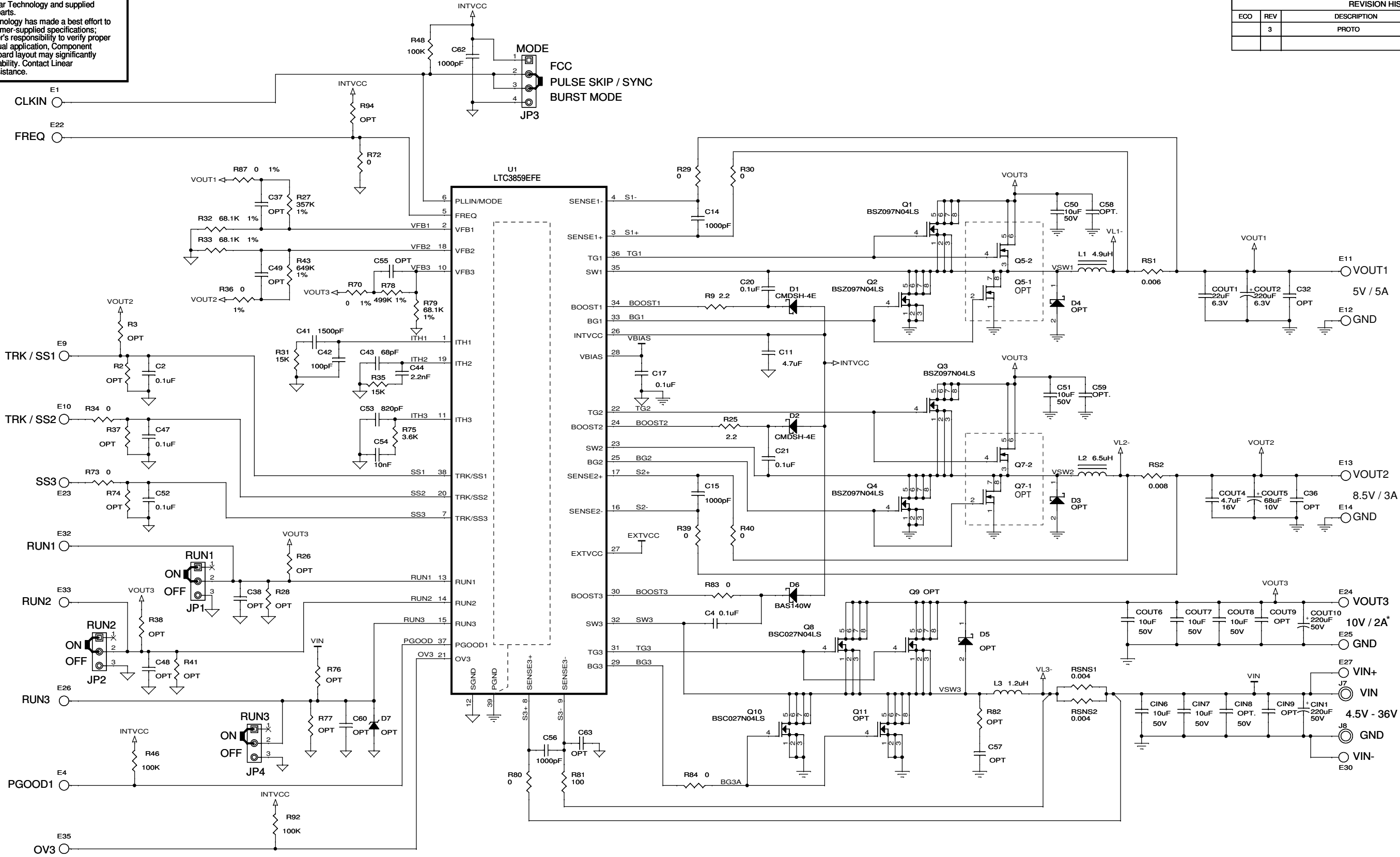


REVISION HISTORY				
ECO	REV	DESCRIPTION	DATE	APPROVED
	3	PROTO	08/18/09	

This circuit is proprietary to Linear Technology and supplied for use with Linear Technology parts.
Customer Notice: Linear Technology has made a best effort to design a circuit that meets customer-supplied specifications; however, it remains the customer's responsibility to verify proper and reliable operation in the actual application. Component substitution and printed circuit board layout may significantly affect circuit performance or reliability. Contact Linear Applications Engineering for assistance.



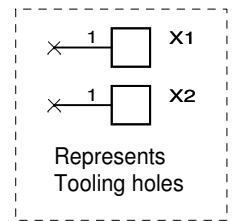
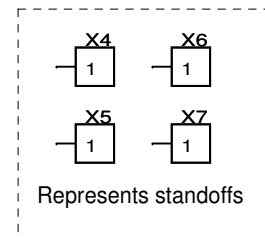
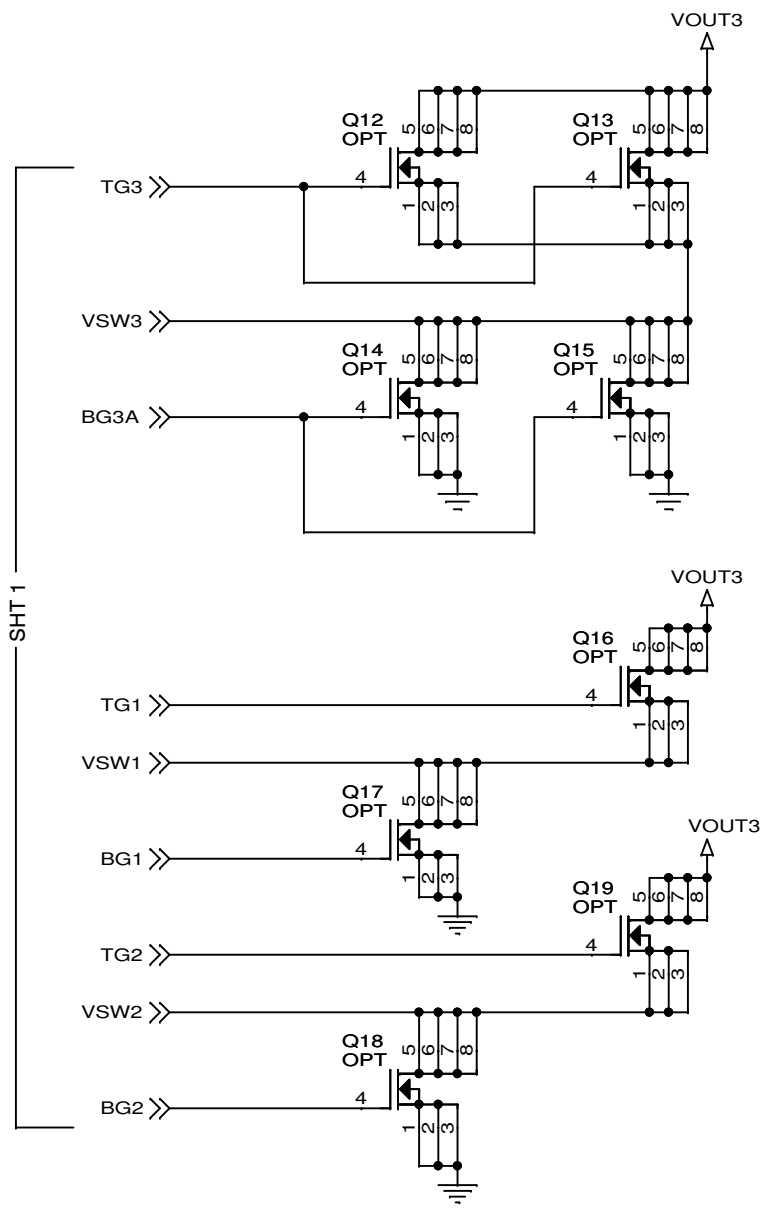
* OUTPUT 10V ONLY WHEN VIN < 10V, OTHERWISE VOUT3 FOLLOWS VIN.


CONTRACT NO.			1630 McCarthy Blvd. Milpitas, CA 95035 Phone: (408)432-1300 Fax: (408)434-0507	
APPROVALS	DATE		TITLE	
DRAWN MI	04/09/06	SCH, LTC3859EFE, TRIPLE OUTPUT SYNCHRONOUS STEP-UP/DUAL STEP-DOWN SUPPLY		
CHECKED		SIZE	CAGE CODE	DWG NO
APPROVED				DC1425A
DESIGNER				REV 3
Wednesday, February 10, 2010		SCALE	FILENAME: 1425A-3.DSN	SHEET 1 OF 2

This circuit is proprietary to Linear Technology and supplied for use with Linear Technology parts.

Customer Notice: Linear Technology has made a best effort to design a circuit that meets customer-supplied specifications; however, it remains the customer's responsibility to verify proper and reliable operation in the actual application. Component substitution and printed circuit board layout may significantly affect circuit performance or reliability. Contact Linear Applications Engineering for assistance.

REVISION HISTORY				
ECO	REV	DESCRIPTION	DATE	APPROVED
	3	PROTO	12/19/08	



CONTRACT NO.				1630 McCarthy Blvd. Milpitas, CA 95035 Phone: (408)432-1900 Fax: (408)434-0507	
APPROVALS	DATE				
DRAWN MI	04/09/08	TITLE SCH, LTC3859EFE, TRIPLE OUTPUT SYNCHRONOUS STEP-UP/DUAL STEP-DOWN SUPPLY			
CHECKED		SIZE	CAGE CODE	DWG NO	REV
APPROVED				DC1425A	3
ENGINEER					
DESIGNER					
Tuesday, November 17, 2009		SCALE NONE	FILENAME: 1425A-3.DSN	SHEET	2 OF 2