

ER-S2U

Two Space Rack Shelf

Product Features:

Fits components up to 17.325" wide

Two space racking height (3.5")

Tray depth - 14.75"

Includes 10-32 and 12-24 mounting screws

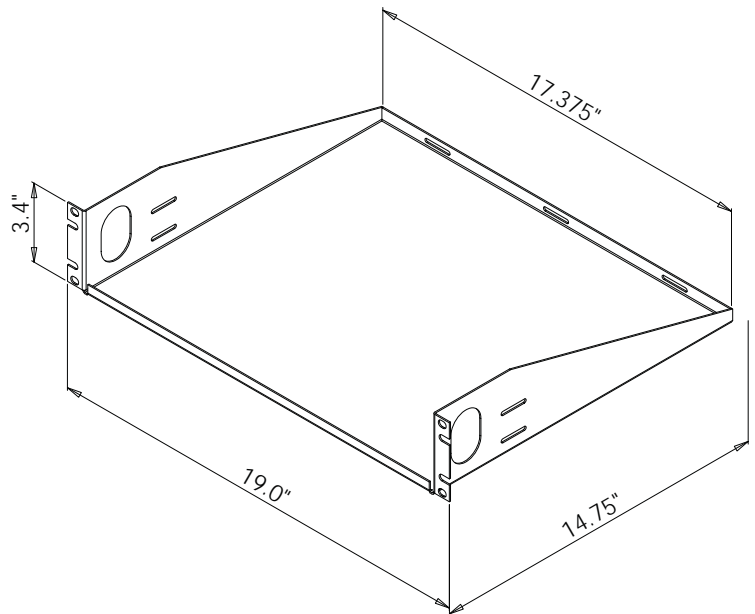
Load capacity – 50 lbs

Black powder coat finish

Product Specifications:

(for Architects & Engineers)

The equipment rack shelf shall be the Video Mount Products (VMP) model ER-S2U. The shelf shall be compatible with standard 19" equipment racks without modification. The shelf shall fit all components up to 17.375" in width. The shelf shall be painted with a durable black static resistant powder coat finish. The load capacity shall be 50 lbs.



Video Mount Products

345 Log Canoe Circle

Stevensville, MD 21666

Toll Free: 877.281.2169

Telephone: 410.643.6390

Facsimile: 410.643.6615

www.videomount.com

VMP
VIDEO MOUNT PRODUCTS