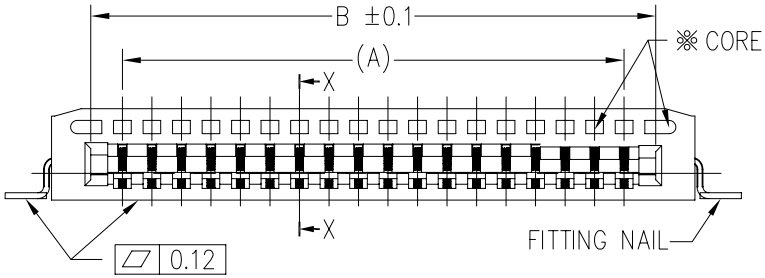
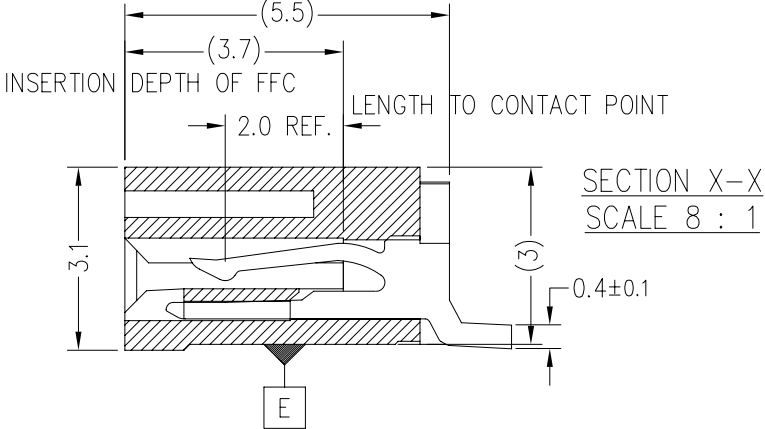
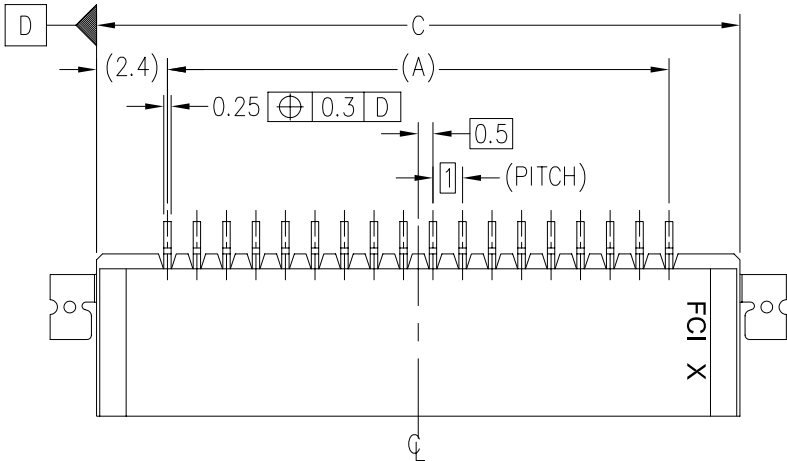


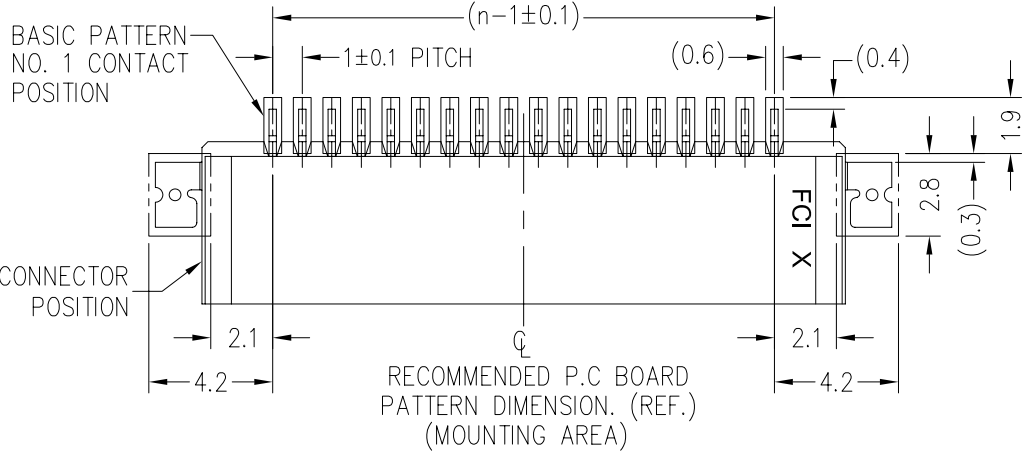


FCIconnect.com

Copyright FCI

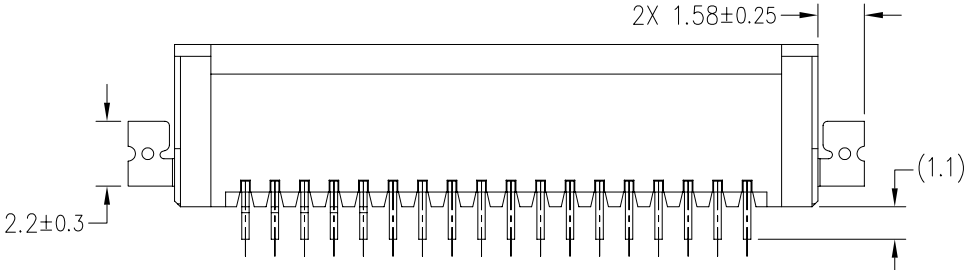


(FLATNESS OF CONTACT TERMINAL AND MOUNTING PLATE)
 MISALIGNMENT OF SOLDER TAIL AND FITTING NAIL FROM DATUM E
 : UPPER DIRECTION .10 MAX. , LOWER DIRECTION 0.15 MAX.
 ※ <<ALTERNATE CORE AND RIB CONSTRUCTION, NON-FUNCTION,
 AND OR FOR PLASTIC MOLDING PROCESS PURPOSE>>

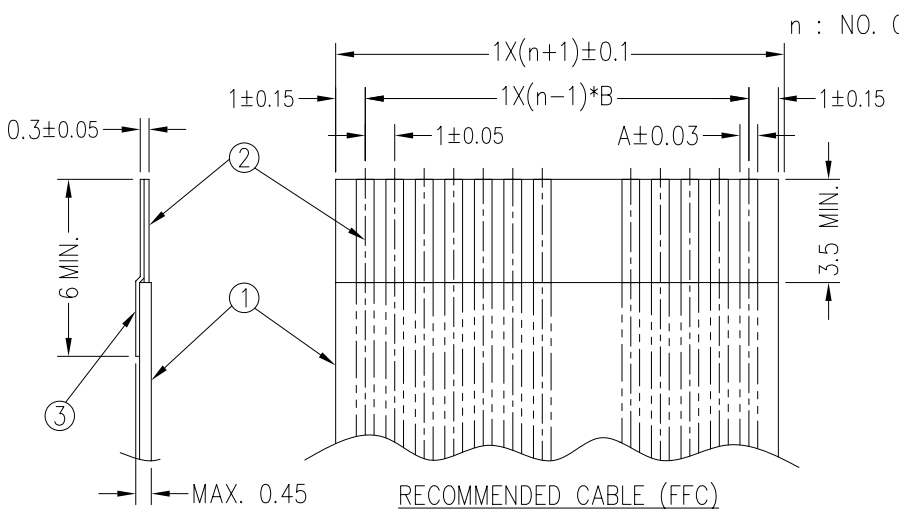


RECOMMENDED P.C BOARD
 PATTERN DIMENSION. (REF.)
 (MOUNTING AREA)

RECOMMENDED SOLDER PASTE
 THICK 0.15mm [.006"] MIN.



mat'l. code				tolerances unless otherwise specified			projection		product family		
ltr	ecn no	dr	date	angles	linear	.XX±.20	mm	scale 4:1	FCI/FPC		
A	S09-0060	DGOH	090331						title		
B	S10-0107	DGOH	100513	X±2'			1mm SPACING SMT FFC/FPC CONNECTOR				
				dr	DENNIS GOH	081222	dwg no			sheet 1 of 6	size
				enr	DENNIS GOH	100513	10094688			A4	
				chr	DENNIS GOH	100513	type			Product Customer Drawing	
				appd	JOEY NG	100513					
sheet index	revision sheet	B 1	B 2	B 3	B 4	B 5	B 6				

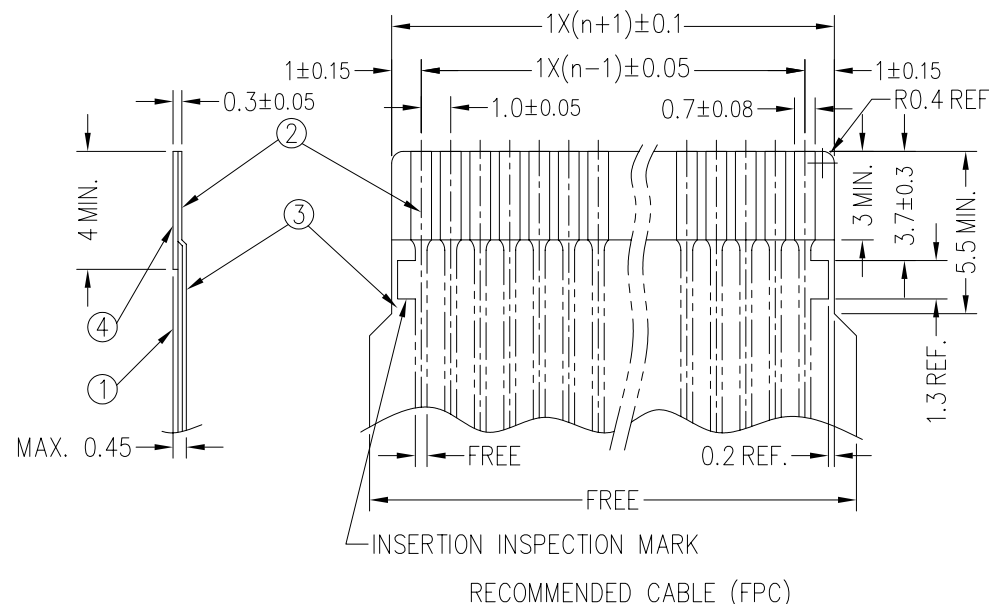


(NOTE C)	DIMENSION A	TOLERANCE B
1	0.7	0.1
2	0.6	0.07

RECOMMENDED CABLE (FFC)

PART NO.	DESCRIPTION	MATERIAL	NOTE
1	INSULATOR	FLAME RESISTING POLYESTER OR EQUIVALENT	-----
2	CONDUCTOR	COPPER FOIL	PLATING: TIN OR SOLDER 1um MIN.
3	SUPPORTING TAPE	FLAME RESISTING POLYESTER OR EQUIVALENT	-----

- NOTES:
- A.) NO BURR AT EACH PORION.
 - B.) NO PEELING IN COMMON USE.
 - C.) BOTH COMBINATION IS ALLOWED.



RECOMMENDED CABLE (FPC)

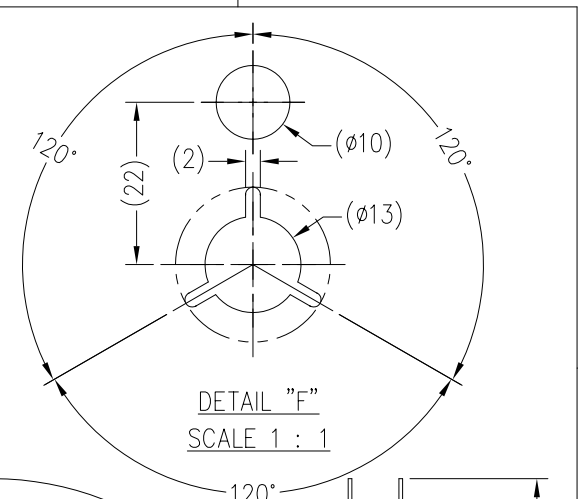
PART NO.	DESCRIPTION	MATERIAL	THICKNESS (um)
1	BASE FILM	POLYIMIDE OR POLYESTER OR EQUIVALENT	25
2	CONDUCTOR	COPPER FOIL (PLATING: SOLDER 1um MIN.)	35
3	OVERLAY	POLYIMIDE OR POLYESTER OR EQUIVALENT	-----
4	SUPPORTING TAPE	POLYIMIDE OR POLYESTER OR EQUIVALENT	188

mat'l. code		tolerances unless otherwise specified		projection	product family FFC/FPC	
ltr	ecn no	dr	date	mm	title	
B					1mm SPACING SMT FPC/FFC CONNECTOR	
		angles	linear	scale 4:1	dwg no	
		X'±2'	.XX±.20		sheet 2 of 6	
		dr	DENNIS GOH		size	
		enr	DENNIS GOH		10094688	
		chr	DENNIS GOH		A4	
		appd	JOEY NG		type Product Customer Drawing	
sheet index	revision sheet					

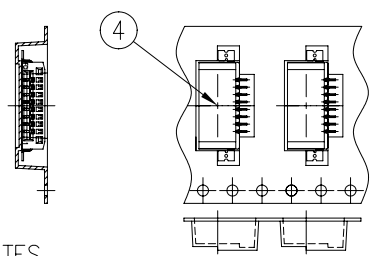


Copyright FCJ

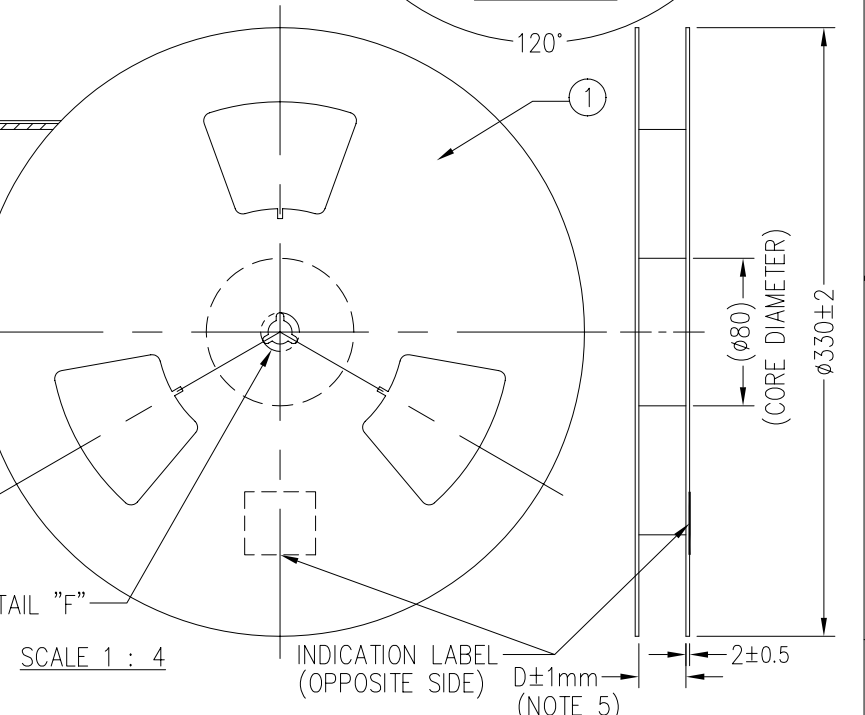
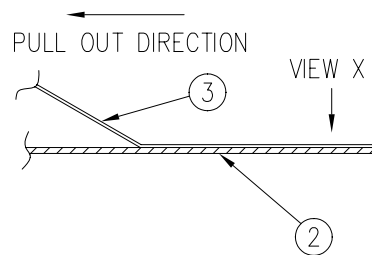
P/N:	PARTS NAME	CATALOG NO.	MATERIAL	QUANTITY	NOTE
①	REEL	-----	POLYSTYRENE (PS) <RECYCLE MATERIAL CONTAINED>	01	COLOR: BLACK
②	PLASTIC (EMBOSSSED) CARRIER TAPE	-----	POLYSTYRENE (0.4mm Thick)	-----	COLOR: (CLEAR) TRANSPARENCY
③	COVER (TOP TAPE)	-----	POLYESTER	-----	COLOR: (CLEAR) TRANSPARENCY
④	CONNECTOR	HFW__R-2STE1MTLF	SEE ATTACHED DRAWING	1,000PCS/REEL	UPPER CONTACT TYPE



UNLESS OTHERWISE SPECIFIED: ±5, ANGLE ±5° TOLERANCES



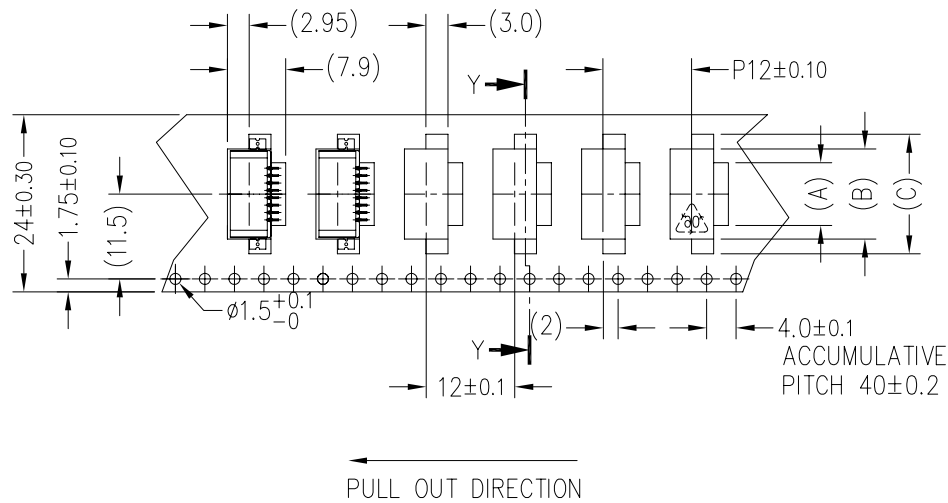
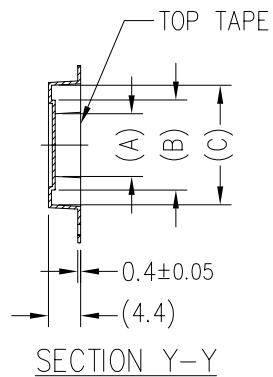
SCALE 4 : 1



NOTES

- THIS IS PLASTIC TAPE PACKAGED CONNECTOR DESIGNED TO TERMINATE FPC/FFC AND COPEs WITH AUTOMATIC MOUNTING (SMT).
- SEE JIS C 0806 (PACKING OF ELECTRONICS COMPONENTS ON CONTINUOUS TAPES, SURFACE MOUNT DEVICES) FOR SHAPE AND DIMENSIONS OF PLASTIC (EMBOSSSED) TAPE AND REEL.
- LEAD TAPE LENGTH
- PEELING OFF FORCE OF TOP TAPE TAPE: 0.1N~0.7N(10.2gf~71.4gf) (PEELING DIRECTION AS SHOWN IN FOLLOWING FIG.) THIS REQUIREMENT SHOULD BE APPLIED AT SHIPMENT. PEEL OFF SHOULD NOT BE ALLOWED, DURING TRANSPORTATION.
- D±1mm DIMENSION IS PORTION OF THE CORE.

mat'l. code		tolerances unless otherwise specified		projection	product family
lfr	ecn no	dr	date	mm	FPC/FPC
B					title
		angles	linear	scale 4:1	1mm SPACING SMT FPC/FFC CONNECTOR
					dwg no
		dr	DENNIS GOH	081222	sheet 4 of 6
		enr	DENNIS GOH	100513	size
		chr	DENNIS GOH	100513	10094688
		appd	JOEY NG	100513	A4
sheet index	revision sheet				type
					Product Customer Drawing



24mm WIDTH CARRIER TAPE

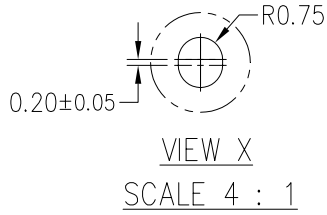


FCIconnect.com

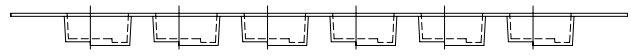
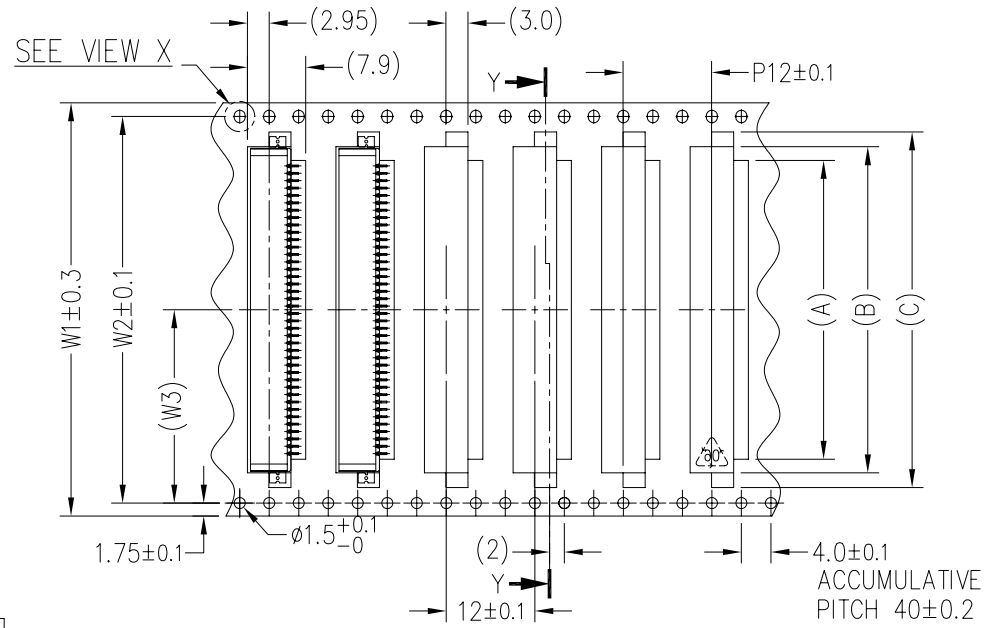
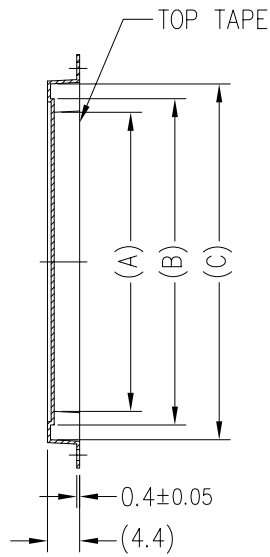
Copyright FCI

10	HFW10R-2STE1MTLF	10.5	14.2	18.2	25.5	24
9	HFW9R-2STE1MTLF	9.5	13.2	17.2		
8	HFW8R-2STE1MTLF	8.5	12.2	16.2		
7	HFW7R-2STE1MTLF	7.5	11.2	15.5		
6	HFW6R-2STE1MTLF	6.5	10.2	14.2		
5	HFW5R-2STE1MTLF	5.5	9.2	13.2		
4	HFW4R-2STE1MTLF	4.5	8.2	12.2		
CIRCUIT	CATALOG NO.	(A)	(B)	(C)	D±1mm REEL CORE	CARRIER TAPE WIDTH

mat'l. code				tolerances unless otherwise specified			projection	product family		
lfr	ecn no	dr	date	angles	linear	.XX±.20	mm	FCI/FPC		
B								title		
				X'±2'			scale 4:1	1mm SPACING SMT FPC/FFC CONNECTOR		
				dr	DENNIS GOH	081222		dwg no sheet 5 of 6 size		
				enr	DENNIS GOH	100513	FCI	10094688 A4		
				chr	DENNIS GOH	100513		type Product Customer Drawing		
				appd	JOEY NG	100513				
sheet index	revision sheet									



SECTION Y-Y



32mm, 44mm, & 56mm WIDTH CARRIER TAPE

30	HFW30R-2STE1MTLF	30.5	34.2	38.2	57.5	56	52.4	26.2
29	HFW29R-2STE1MTLF	29.5	33.2	37.2				
28	HFW28R-2STE1MTLF	28.5	32.2	36.2				
27	HFW27R-2STE1MTLF	27.5	31.2	35.2				
26	HFW26R-2STE1MTLF	26.5	30.2	34.2				
25	HFW25R-2STE1MTLF	25.5	29.2	33.2				
24	HFW24R-2STE1MTLF	24.5	28.2	32.2	45.5	44	40.4	20.2
23	HFW23R-2STE1MTLF	23.5	27.2	31.2				
22	HFW22R-2STE1MTLF	22.2	26.2	30.2				
21	HFW21R-2STE1MTLF	21.5	25.2	29.2				
20	HFW20R-2STE1MTLF	20.5	24.2	28.2				
19	HFW19R-2STE1MTLF	19.5	23.2	27.2				
18	HFW18R-2STE1MTLF	18.5	22.2	26.2	33.5	32	28.4	14.2
17	HFW17R-2STE1MTLF	17.5	21.2	25.2				
16	HFW16R-2STE1MTLF	16.5	20.2	24.2				
15	HFW15R-2STE1MTLF	15.5	19.2	23.2				
14	HFW14R-2STE1MTLF	14.5	18.2	22.2				
13	HFW13R-2STE1MTLF	13.5	17.2	21.2				
12	HFW12R-2STE1MTLF	12.5	16.2	20.2	D±1mm REEL CORE	W1	W2	(W3)
11	HFW11R-2STE1MTLF	11.5	15.2	19.2				
CIRCUIT	CATALOG NO.	(A)	(B)	(C)	CARRIER TAPE			

mat'l. code				tolerances unless otherwise specified			projection	product family		
lfr	ecn no	dr	date	angles	linear	.XX±.20	mm	FPC/FPC		
B								title		
				X'±2'			scale 4:1	1mm SPACING SMT FPC/FPC CONNECTOR		
				dr	DENNIS GOH	081222		dwg no sheet 6 of 6 size		
				enr	DENNIS GOH	100513		10094688 A4		
				chr	DENNIS GOH	100513		type Product Customer Drawing		
				appd	JOEY NG	100513				
sheet index	revision sheet									



Copyright FCI