

Product Specification



Patch Antenna JTT1575S35P4A

Feature

High gain , Compact

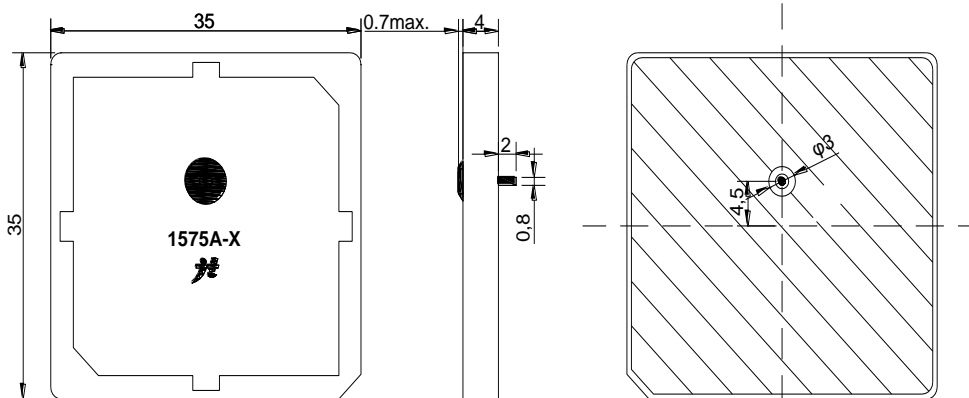
Pin type

Customization available

Electrical Specification

Center Frequency	1575.42 ± 3.0 MHz
Return Loss @ F0	≥ 15 dB
Bandwidth @ 10dB Return loss	≥ 15 MHz
Polarization	RHCP
Gain @ Zenith	2.0dBi typ.
Ground plane	35 x 35 mm
Impedance	50 Ω
Frequency Temperature Coefficient	±20 ppm/°C
Operation Temperature Range	-40 ~ +85°C

Mechanical Drawing



The last "X" is the serial number of month

Tolerance Unless Otherwise Specified: ±0.30
Unit: mm

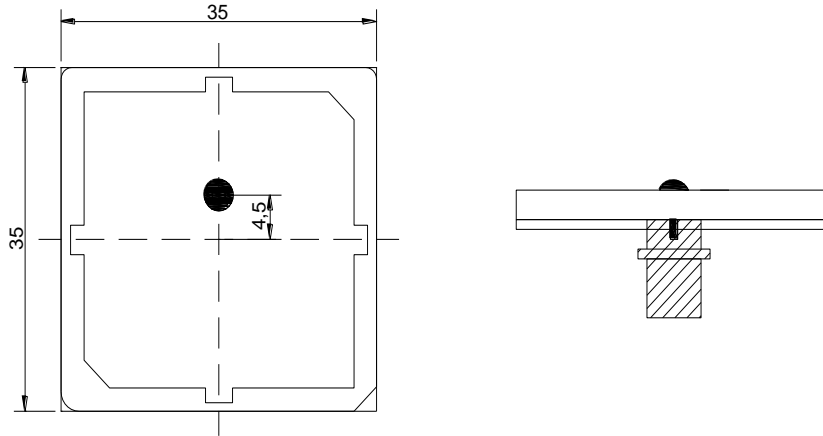
Product Specification



Patch Antenna

JTT1575S35P4A

Test Fixture



Characteristics

