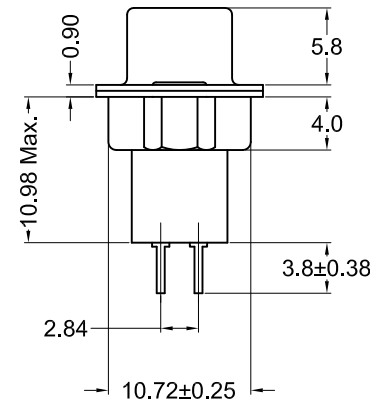
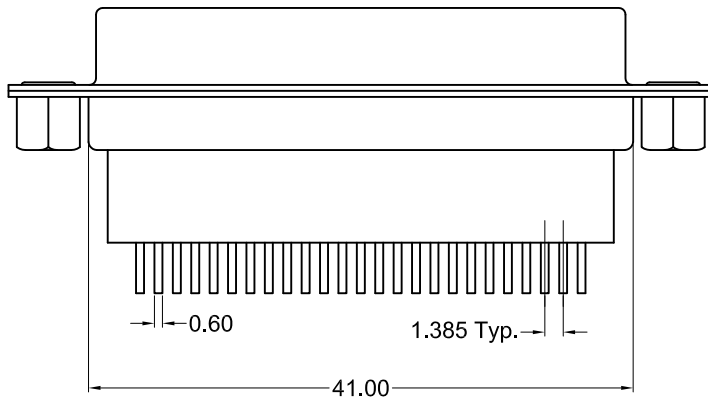


Recommended PCB Layout
(Top View)



Material and Finish

- Shell: Steel, Nickel plated
- Insulator: PBT thermoplastic with glass-fiber reinforcement, UL94V-0 rated
Color: Black
- Contact Material:
Socket - Phosphor Bronze
- Contact Plating Options:
Standard: gold flash on mating end, tin on termination end, nickel underplate on entire contact
15 Option: 15u" gold on mating end, tin on termination end, nickel underplate on entire contact
30 Option: 30u" gold on mating end, tin on termination end, nickel underplate on entire contact

Electrical Specifications

- Rated Current: 2A
- Rated Voltage: 30V RMS
- Insulation Resistance:
more than 1000 megohms at 500V DC
- Contact Resistance:
13 milliohms max.
- Dielectric Withstanding Voltage:
1000V for 1 minute
- Operating Temperature:
-55°C to +105°C

Part Number	Contact Area Plating Finish
K88X-BD-25S-K	Gold Flash (standard option)
K88X-BD-25S-K15	15u" Gold (15 option)
K88X-BD-25S-K30	30u" Gold (30 option)

Tolerances
X.X ± 0.25
X.XX ± 0.15
Unless Stated Otherwise



REV.	DATE	DESCRIPTION	REV. BY	CHK. BY	DRAWN BY	DATE
A1	08/14/09	New Drawing	S. Vien	H. MA	S. Vien	05/29/09
A2	12/08/10	ECO# 10-091	S. Vien	H. MA		
A3	12/31/17	ECO #17-035	G. Serrato	C. Furumasu		
					UNITS	
					mm	

K88X-BD-25S-K

D-Sub, Vertical, High Profile, RoHS Compliant

25 Pos., Female, Bushings

