



MCP4725
PICtail Plus Daughter Board
User's Guide

Note the following details of the code protection feature on Microchip devices:

- Microchip products meet the specification contained in their particular Microchip Data Sheet.
- Microchip believes that its family of products is one of the most secure families of its kind on the market today, when used in the intended manner and under normal conditions.
- There are dishonest and possibly illegal methods used to breach the code protection feature. All of these methods, to our knowledge, require using the Microchip products in a manner outside the operating specifications contained in Microchip's Data Sheets. Most likely, the person doing so is engaged in theft of intellectual property.
- Microchip is willing to work with the customer who is concerned about the integrity of their code.
- Neither Microchip nor any other semiconductor manufacturer can guarantee the security of their code. Code protection does not mean that we are guaranteeing the product as "unbreakable."

Code protection is constantly evolving. We at Microchip are committed to continuously improving the code protection features of our products. Attempts to break Microchip's code protection feature may be a violation of the Digital Millennium Copyright Act. If such acts allow unauthorized access to your software or other copyrighted work, you may have a right to sue for relief under that Act.

Information contained in this publication regarding device applications and the like is provided only for your convenience and may be superseded by updates. It is your responsibility to ensure that your application meets with your specifications. MICROCHIP MAKES NO REPRESENTATIONS OR WARRANTIES OF ANY KIND WHETHER EXPRESS OR IMPLIED, WRITTEN OR ORAL, STATUTORY OR OTHERWISE, RELATED TO THE INFORMATION, INCLUDING BUT NOT LIMITED TO ITS CONDITION, QUALITY, PERFORMANCE, MERCHANTABILITY OR FITNESS FOR PURPOSE. Microchip disclaims all liability arising from this information and its use. Use of Microchip devices in life support and/or safety applications is entirely at the buyer's risk, and the buyer agrees to defend, indemnify and hold harmless Microchip from any and all damages, claims, suits, or expenses resulting from such use. No licenses are conveyed, implicitly or otherwise, under any Microchip intellectual property rights.

Trademarks

The Microchip name and logo, the Microchip logo, Accuron, dsPIC, KEELOQ, KEELOQ logo, MPLAB, PIC, PICmicro, PICSTART, PRO MATE, rPIC and SmartShunt are registered trademarks of Microchip Technology Incorporated in the U.S.A. and other countries.

FilterLab, Linear Active Thermistor, MXDEV, MXLAB, SEEVAL, SmartSensor and The Embedded Control Solutions Company are registered trademarks of Microchip Technology Incorporated in the U.S.A.

Analog-for-the-Digital Age, Application Maestro, CodeGuard, dsPICDEM, dsPICDEM.net, dsPICworks, dsSPEAK, ECAN, ECONOMONITOR, FanSense, In-Circuit Serial Programming, ICSP, ICEPIC, Mindi, MiWi, MPASM, MPLAB Certified logo, MPLIB, MPLINK, mTouch, PICkit, PICDEM, PICDEM.net, PICTail, PIC³² logo, PowerCal, PowerInfo, PowerMate, PowerTool, REAL ICE, rLAB, Select Mode, Total Endurance, UNI/O, WiperLock and ZENA are trademarks of Microchip Technology Incorporated in the U.S.A. and other countries.

SQTP is a service mark of Microchip Technology Incorporated in the U.S.A.

All other trademarks mentioned herein are property of their respective companies.

© 2008, Microchip Technology Incorporated, Printed in the U.S.A., All Rights Reserved.

 Printed on recycled paper.

QUALITY MANAGEMENT SYSTEM
CERTIFIED BY DNV
== ISO/TS 16949:2002 ==

Microchip received ISO/TS-16949:2002 certification for its worldwide headquarters, design and wafer fabrication facilities in Chandler and Tempe, Arizona; Gresham, Oregon and design centers in California and India. The Company's quality system processes and procedures are for its PIC[®] MCUs and dsPIC[®] DSCs, KEELOQ[®] code hopping devices, Serial EEPROMs, microperipherals, nonvolatile memory and analog products. In addition, Microchip's quality system for the design and manufacture of development systems is ISO 9001:2000 certified.



MCP4725 PICtail™ Plus DAUGHTER BOARD USER'S GUIDE

Table of Contents

Preface	1
Introduction.....	1
Document Layout	1
Conventions Used in this Guide	2
Recommended Reading.....	3
The Microchip Web Site	3
Customer Support	3
Document Revision History	4
Chapter 1. Quick Start Instructions	
1.1 Introduction	5
1.2 Description of the MCP4725 PICtail™ Plus Daughter Board	5
1.3 Getting Started With Explorer 16 Development Board	6
1.4 Getting Started with PICkit™ Serial Analyzer	14
1.5 Examples of The MCP4725 Programming using the PICkit™ Serial Analyzer	25
1.6 References	26
Appendix A. Schematic and Layouts	
A.1 Introduction	27
A.2 Board – Schematic	28
A.3 Board – Top Layer	29
A.4 Board – Top Metal Layer	30
A.5 Board – Bottom Layer	31
A.6 Board – Bottom Metal Layer	32
Appendix B. Bill Of Materials (BOM)	
Worldwide Sales and Service	34

MCP4725 PICTail™ Plus Daughter Board User's Guide

NOTES:



MCP4725 PICtail™ Plus DAUGHTER BOARD USER'S GUIDE

Preface

NOTICE TO CUSTOMERS

All documentation becomes dated, and this manual is no exception. Microchip tools and documentation are constantly evolving to meet customer needs, so some actual dialogs and/or tool descriptions may differ from those in this document. Please refer to our web site (www.microchip.com) to obtain the latest documentation available.

Documents are identified with a “DS” number. This number is located on the bottom of each page, in front of the page number. The numbering convention for the DS number is “DSXXXXA”, where “XXXX” is the document number and “A” is the revision level of the document.

For the most up-to-date information on development tools, see the MPLAB® IDE on-line help. Select the Help menu, and then Topics to open a list of available on-line help files.

INTRODUCTION

This chapter contains general information that will be useful to know before using the MCP4725 PICtail™ Plus Daughter Board. Items discussed in this chapter include:

- Document Layout
- Conventions Used in this Guide
- Recommended Reading
- The Microchip Web Site
- Customer Support
- Document Revision History

DOCUMENT LAYOUT

This document describes how to use the MCP4725 PICtail™ Plus Daughter Board as a development tool to emulate and debug firmware on a target board. The manual layout is as follows:

- **Chapter 1. “Quick Start Instructions”** – this chapter provides an overview of the MCP4725 PICtail™ Plus Daughter Board and instructions on how to program the DAC register and EEPROM of the MCP4725 device.
- **Appendix A. “Schematics and Board Layouts”** – shows the schematic and layout diagrams for the MCP4725 PICtail™ Plus Daughter Board.
- **Appendix B. “Bill Of Materials (BOM)”** – lists the parts used to build the MCP4725 PICtail™ Plus Daughter Board.

MCP4725 PICtail™ Plus Daughter Board User's Guide

CONVENTIONS USED IN THIS GUIDE

This manual uses the following documentation conventions:

DOCUMENTATION CONVENTIONS

Description	Represents	Examples
Arial font:		
Italic characters	Referenced books	<i>MPLAB® IDE User's Guide</i>
	Emphasized text	...is the <i>only</i> compiler...
Initial caps	A window	the Output window
	A dialog	the Settings dialog
	A menu selection	select Enable Programmer
Quotes	A field name in a window or dialog	"Save project before build"
Underlined, italic text with right angle bracket	A menu path	<u><i>File>Save</i></u>
Bold characters	A dialog button	Click OK
	A tab	Click the Power tab
N'Rnnnn	A number in verilog format, where N is the total number of digits, R is the radix and n is a digit.	4'b0010, 2'hF1
Text in angle brackets < >	A key on the keyboard	Press <Enter>, <F1>
Courier New font:		
Plain Courier New	Sample source code	#define START
	Filenames	autoexec.bat
	File paths	c:\mcc18\h
	Keywords	_asm, _endasm, static
	Command-line options	-Opa+, -Opa-
	Bit values	0, 1
	Constants	0xFF, 'A'
Italic Courier New	A variable argument	<i>file.o</i> , where <i>file</i> can be any valid filename
Square brackets []	Optional arguments	mcc18 [options] <i>file</i> [options]
Curly brackets and pipe character: { }	Choice of mutually exclusive arguments; an OR selection	errorlevel {0 1}
Ellipses...	Replaces repeated text	var_name [, var_name...]
	Represents code supplied by user	void main (void) { ... }

RECOMMENDED READING

This user's guide describes how to use MCP4725 PICtail™ Plus Daughter Board. The following Microchip documents are available and recommended as supplemental reference resources.

PICkit™ Serial Analyzer User's Guide (DS51647)

Consult this document for instructions on how to use the PICkit Serial Analyzer hardware and software.

MCP4725 Data Sheet, "12-Bit DAC with EEPROM Memory in SOT-23-6" (DS22039)

This data sheet provides detailed information regarding the MCP4725 product family.

MCP4725 SOT-23 Evaluation Board User's Guide (DS51669)

PIC24FJ128GA010 Family Data Sheet (DS39747)

Explore 16 Development Board User's Guide (DS51589)

AN1079, "Using the C3 Compiler and the I2C Peripheral to Interface Serial EEPROMs with dsPIC33F" (DS01079)

PICkit™ Serial Analyze User's Guide (DS51647)

THE MICROCHIP WEB SITE

Microchip provides online support via our web site at www.microchip.com. This web site is used as a means to make files and information easily available to customers. Accessible by using your favorite Internet browser, the web site contains the following information:

- **Product Support** – Data sheets and errata, application notes and sample programs, design resources, user's guides and hardware support documents, latest software releases and archived software
- **General Technical Support** – Frequently Asked Questions (FAQs), technical support requests, online discussion groups, Microchip consultant program member listing
- **Business of Microchip** – Product selector and ordering guides, latest Microchip press releases, listing of seminars and events, listings of Microchip sales offices, distributors and factory representatives

CUSTOMER SUPPORT

Users of Microchip products can receive assistance through several channels:

- Distributor or Representative
- Local Sales Office
- Field Application Engineer (FAE)
- Technical Support

Customers should contact their distributor, representative or field application engineer (FAE) for support. Local sales offices are also available to help customers. A listing of sales offices and locations is included in the back of this document.

Technical support is available through the web site at: <http://support.microchip.com>

MCP4725 PICTail™ Plus Daughter Board User's Guide

DOCUMENT REVISION HISTORY

Revision A (March 2008)

- Initial Release of this Document.



MCP4725 PICtail™ Plus DAUGHTER BOARD USER'S GUIDE

Chapter 1. Quick Start Instructions

1.1 INTRODUCTION

The following sections provide an overview of the MCP4725 PICtail™ Plus Daughter Board and demonstrate how to use (a) the MCP4725 device in a 16-bit MCU environment and (b) evaluate the MCP4725 device features using the PICkit™ Serial Analyzer (P/N: DV164122). The MCP4725 PICtail™ Plus Daughter Board is designed to work with both the Explorer 16 Development Board (P/N: DV164033) and the PICkit™ Serial Analyzer (P/N: DV164122).

The following topics are covered:

- Description of the MCP4725 PICtail™ Plus Daughter Board
- How to use the MCP4725 PICtail™ Plus Daughter Board with the Explorer 16 Starter Kit
- How to use MCP4725 PICtail™ Plus Daughter Board with the PICkit™ Serial Analyzer

1.2 DESCRIPTION OF THE MCP4725 PICtail™ Plus DAUGHTER BOARD

The MCP4725 PICtail™ Plus Daughter Board (P/N MCP4725DM-PTPLS) contains an MCP4725 12-bit Digital-to-Analog Converter (DAC). This daughter board has the following two interfaces:

- Explorer 16 Starter Kit (P/N: DV164033) for 16-bit MCU environment
- PICkit™ Serial Analyzer (P/N: DV164122) for reading and writing the DAC register and observing the DAC output

The user can connect this daughter board to one of the above tools and perform their own experiments.

The board has test points for SDL, SDA, and V_{OUT} . By connecting an oscilloscope to these test points (to SCL, SDA, V_{OUT}) or Digital Multimeter to V_{OUT} , the user can examine the data communications through the I²C™ bus line and observe the resulting DAC output (V_{OUT}). Refer to **Appendix A. "Schematic and Layouts"**

1.2.1 I²C Address Bits and A0 Address Bit Selection

The I²C device code and address bits of the MCP4725 device are:

- Device Code: '1100'
- A2, A1, A0 Address Bits: '00X', where X is for the A0 bit which is determined by the logic state of the A0 pin

Note that the first two address bits (A2 and A1) are programmed at factory during device production and A0 bit is programmed by the user during applications. The A2 and A1 address bits of the MCP4725 device used for the MCP4725 PICtail™ Plus Daughter Board are programmed at the factory to '00'. The JMP1 connector on the MCP4725 PICtail™ Plus Daughter Board selects the A0 bit. The following conditions show the A0 bit selection:

- A0 bit = '1' if JMP1 is connected to V_{DD}
- A0 bit = '0' if JMP1 is connected to V_{SS} (Default setting)
- Address bits A2, A1 = '00'

MCP4725 PICtail™ Plus Daughter Board User's Guide

Based on the above information, the combined device code and address bits for the I²C Serial Communication are:

- 1100-001 $\overline{W/R}$: if JMP1 is connected to V_{DD}
- 1100-000 $\overline{W/R}$: if JMP1 is connected to V_{SS}
- Where $\overline{W/R}$ is write("0") or read ('1') bit.

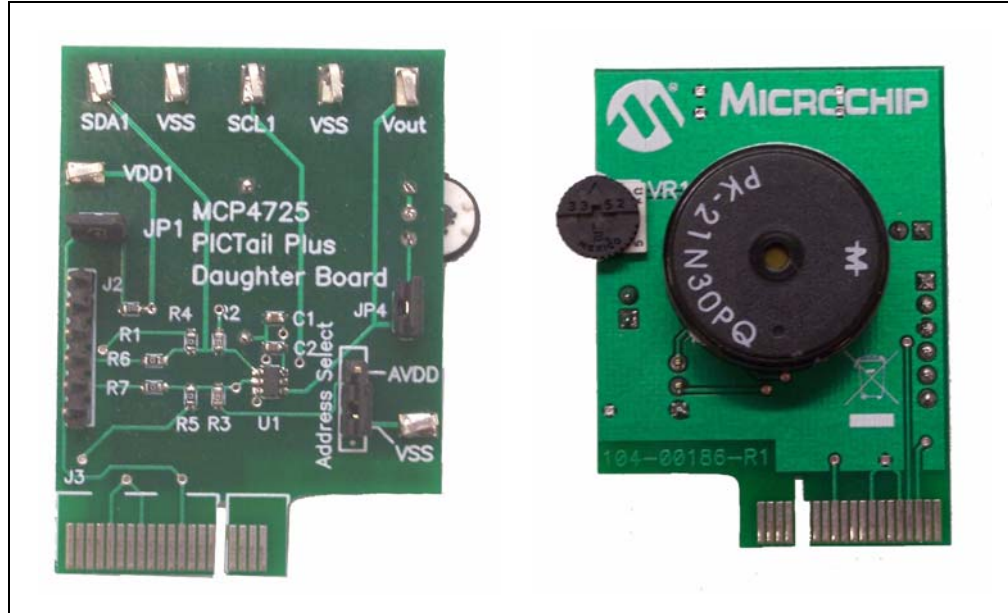


FIGURE 1-1: Front and Back Views of the MCP4725 PICtail™ Plus Daughter Board.

1.3 GETTING STARTED WITH EXPLORER 16 DEVELOPMENT BOARD

Figure 1-2 shows the MCP4725 PICtail™ Plus Daughter Board with the Explorer 16 Development Board. When they are connected, the user can program the 16-bit PIC24FJ128 MCU on the Explorer 16 Starter Kit. The Explorer 16 Development Board sends I²C serial communication commands to the MCP4725 PICtail™ Plus Daughter Board for the MCP4725 DAC output. The Explorer 16 MCU firmware for this MCP4725 PICtail™ Plus Daughter Board writes to the DAC input register continuously in 1 LSB increments. The user can see the DAC output (V_{OUT}) changes using an oscilloscope. Also, a buzzer on the MCP4725 PICtail™ Plus Daughter Board makes sounds driven by the DAC output (V_{OUT}).

1.3.1 Connecting to the Explorer 16 Starter Kit

1. Connect the MCP4725 PICtail™ Plus Daughter Board to the J5 socket on the Explorer 16 Development Board as shown in Figure 1-2.

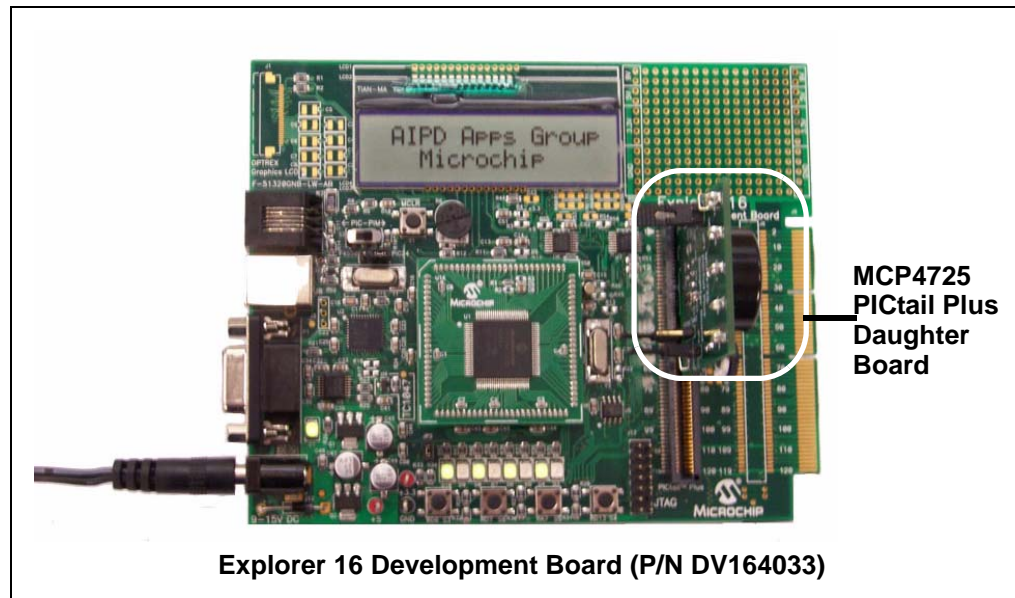


FIGURE 1-2: Connecting the MCP4725 PICtail™ Plus Daughter Board to the Explorer 16 Development Board.

1.3.2 Programming the PIC24FJ128 MCU

The Explorer 16 Development Board contains the PIC24FJ128 MCU. The user can download the firmware to the MCU using the MPLAB ICD2 programmer. Refer to Chapter 2 of the Explorer 16 Development Board User's Guide (DS51589) for details on the programming of the Explorer 16 Development Board.

1.3.2.1 THE PIC24FJ128 MCU FIRMWARE FOR THE MCP4725 PICtail™ Plus DAUGHTER BOARD

The original firmware for the Explorer 16 Development Board is modified for the MCP4725 PICtail™ Plus Daughter Board demonstration. The firmware uses most of the original codes for the Explorer 16 Development Board except the I²C peripheral control routines for the PIC24FJ128 MCU.

The following four routines are added or modified from the original Explorer 16 Development Board firmware.

- PIC24ExplDemo_MCP4725_Main.c
- MCP4725_i2C_Func.c
- Banner_MCP4725.c
- i2C_MCP4725.h

The user can modify the above routines for their own application.

The source code is compiled by using Microchip's C30 Compiler and the hex code is programmed to the MCU using the MPLAB ICD 2. Figure 1-3 shows connection of the MPLAB ICD 2 and the Explorer 16 Development Board. Figure 1-4 shows the MPLAB IDE programming environment.

1.3.2.2 FIRMWARE FLOW CHART FOR THE MCP4725 DAUGHTER BOARD

Figure 1-5 shows the flow chart of the firmware. Once the MCU firmware is programmed, the user can observe the following events:

1. V_{OUT} changes as the MCU rewrites the DAC codes. See Figure 1-6 for the V_{OUT} waveform.
2. Audible sounds (Buzzer) if JP4 is connected.
3. I²C data communication (SDA and SCL) waveform over the I²C bus line. See Figure 1-6 and Figure 1-7.

1.3.3 DAC Output (V_{OUT})

The MCU sends write commands for EEPROM and DAC input register.

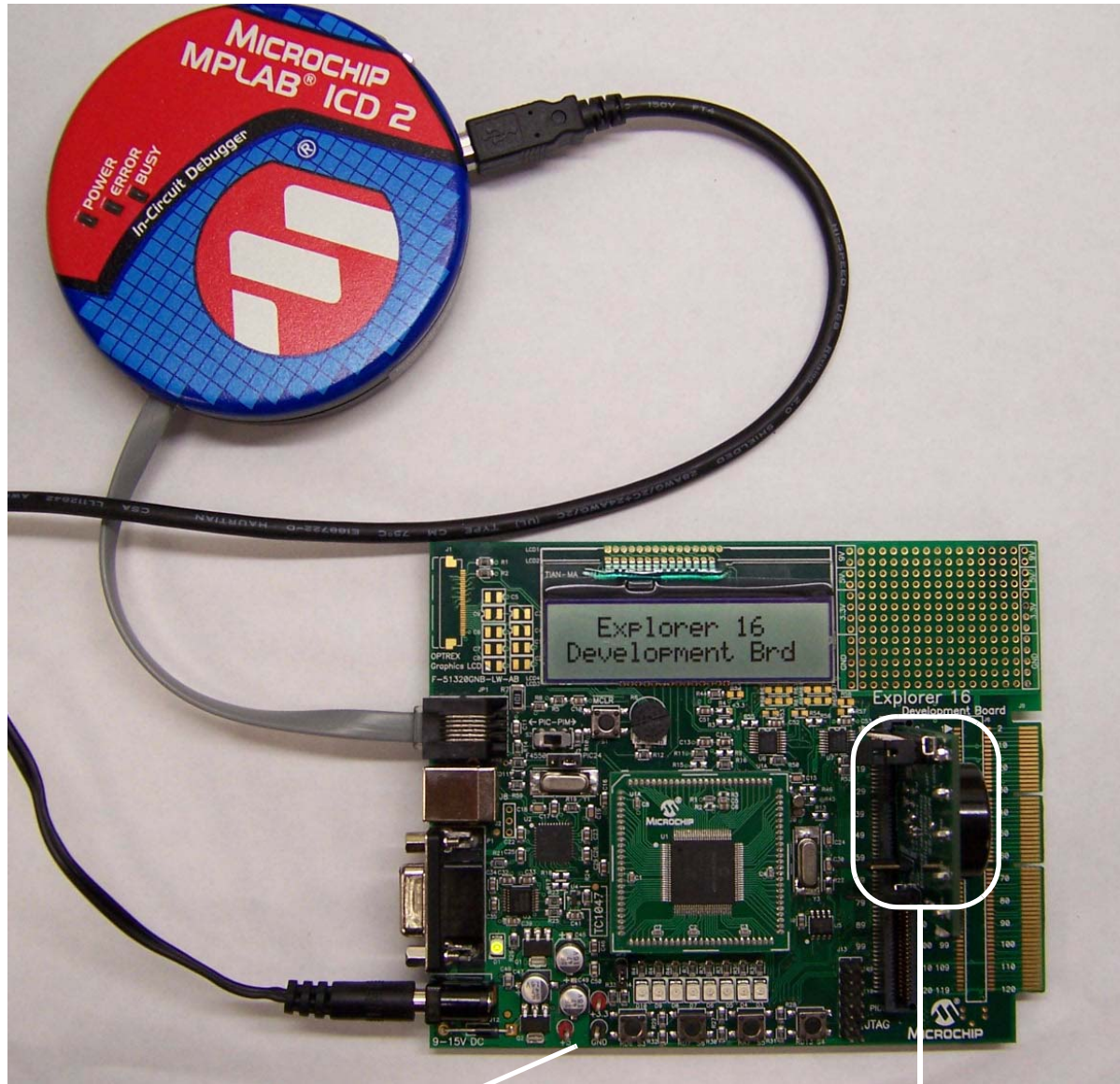
The MCU writes EEPROM only once, but writes continuously the DAC input register. The EEPROM is written for the $V_{OUT} = V_{DD}/2$, and the DAC input register is continuously written for the V_{OUT} to be ramp: The DAC input code is written from "000h" to "FFFh" with 1 LSB increment. When it reaches "FFFh", resets to "000h" and repeats the writing from "000h" to "FFFh" with 1 LSB again.

The user can observe the V_{OUT} at the V_{OUT} test pin using a digital voltmeter or oscilloscope. Figure 1-7 shows the I²C clock (SCL) and data (SDA) signals, and DAC output waveform.

The DAC input register is written with fast mode write command which does not affect the EEPROM. The user can confirm the data written in EEPROM ($V_{OUT} = V_{DD}/2$) by disconnecting the MCP4725 PICTail™ Plus Daughter Board from the Explorer 16 Development Board. When the board is first powered, the MCP4725 device loads the EEPROM data to the DAC input register by itself and then outputs an analog voltage determined by the EEPROM data.

1.3.4 Audible Buzzer

The MCP4725 PICTail™ Plus Daughter Board includes a buzzer. This buzzer is directly connected to the V_{OUT} . The user can disable the buzzer by disconnecting JP4. The buzzer sounds also can be adjusted by VR1.



**Explorer 16 Development Board
(P/N DV164033)**

**MCP4725 PICtail Plus
Daughter Board
(P/N MCP4725DM-PTPLS)**

FIGURE 1-3: MPLAB ICD2 connection to Explorer 16 Development Board with the MCP4725 PICtail™ Plus Daughter Board for programming.

MCP4725 PICtail™ Plus Daughter Board User's Guide

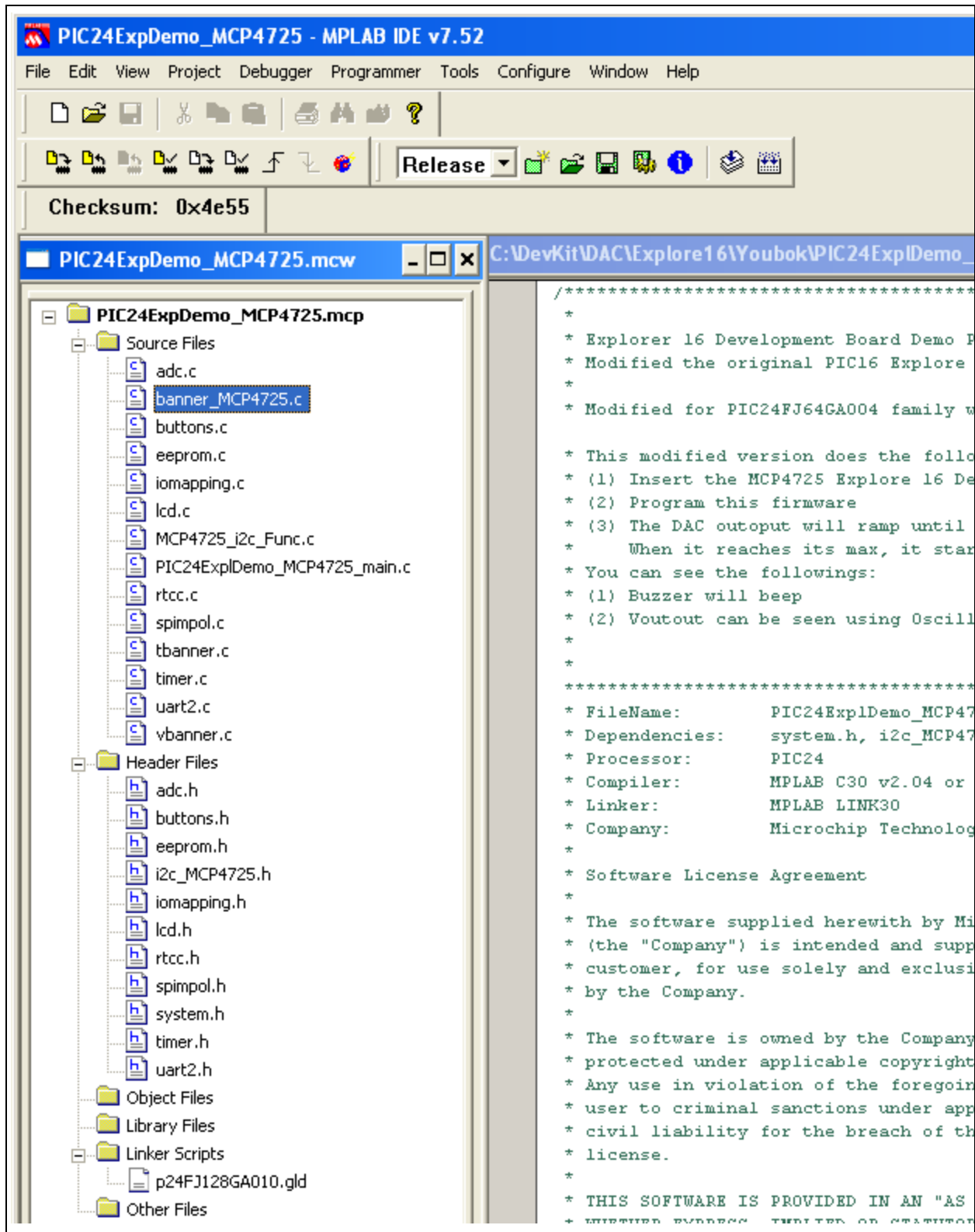


FIGURE 1-4: MPLAB IDE Programming Environment.

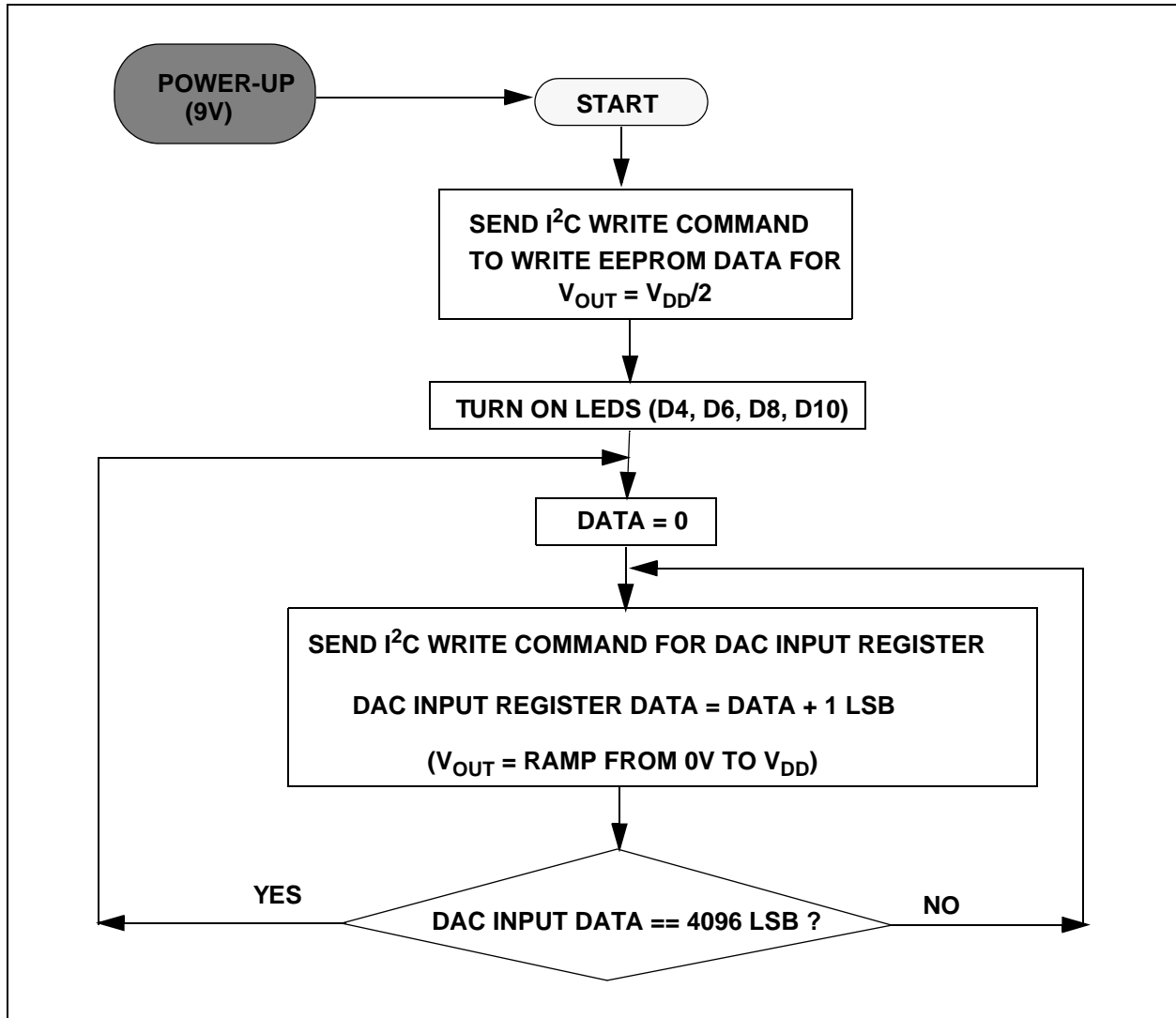


FIGURE 1-5: Flow Chart for the MCP4725 PICtail™ Plus Daughter Board Firmware.

MCP4725 PICtail™ Plus Daughter Board User's Guide

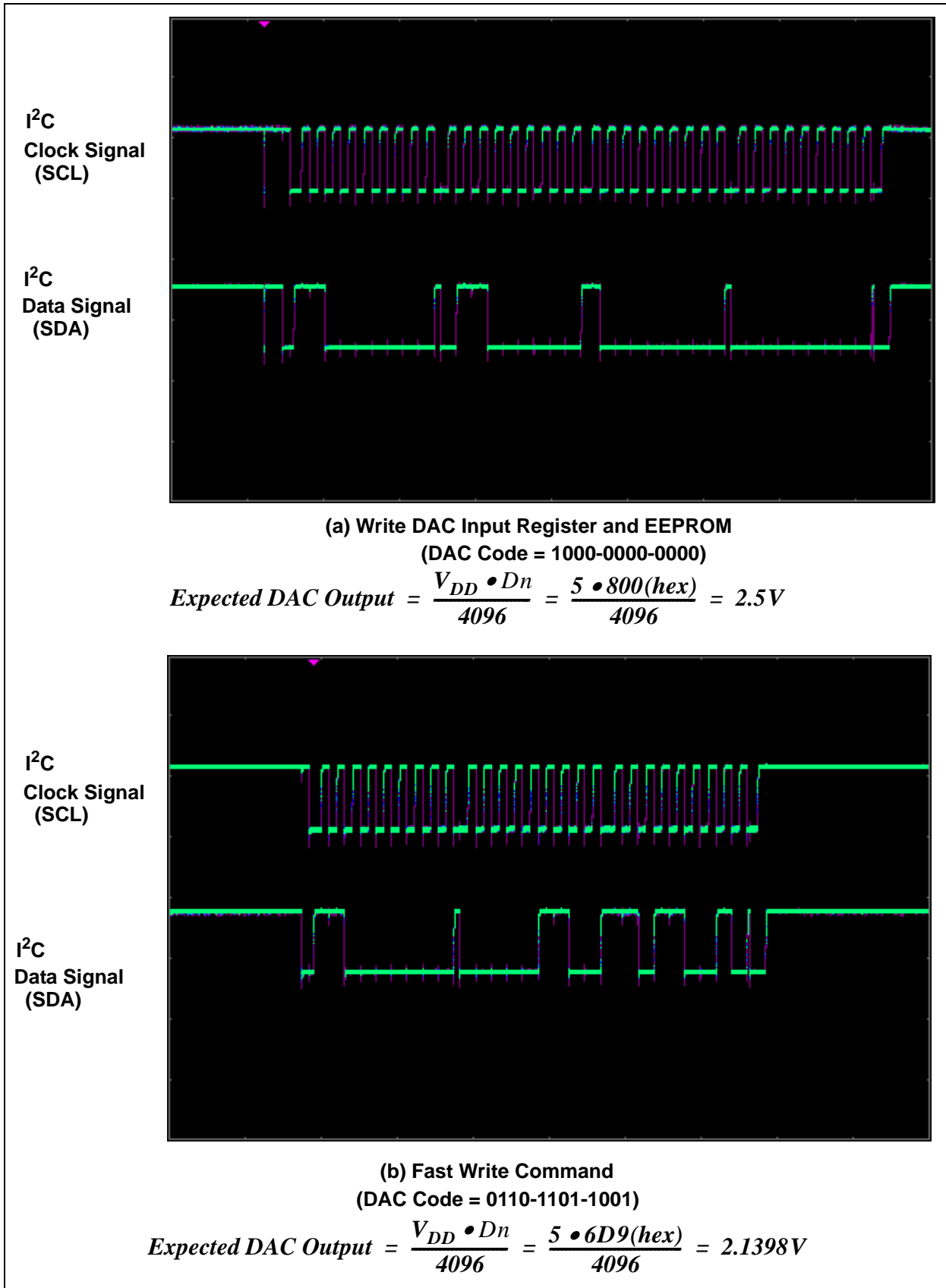


FIGURE 1-6: I²C Write Command Waveforms for the MCP4725.

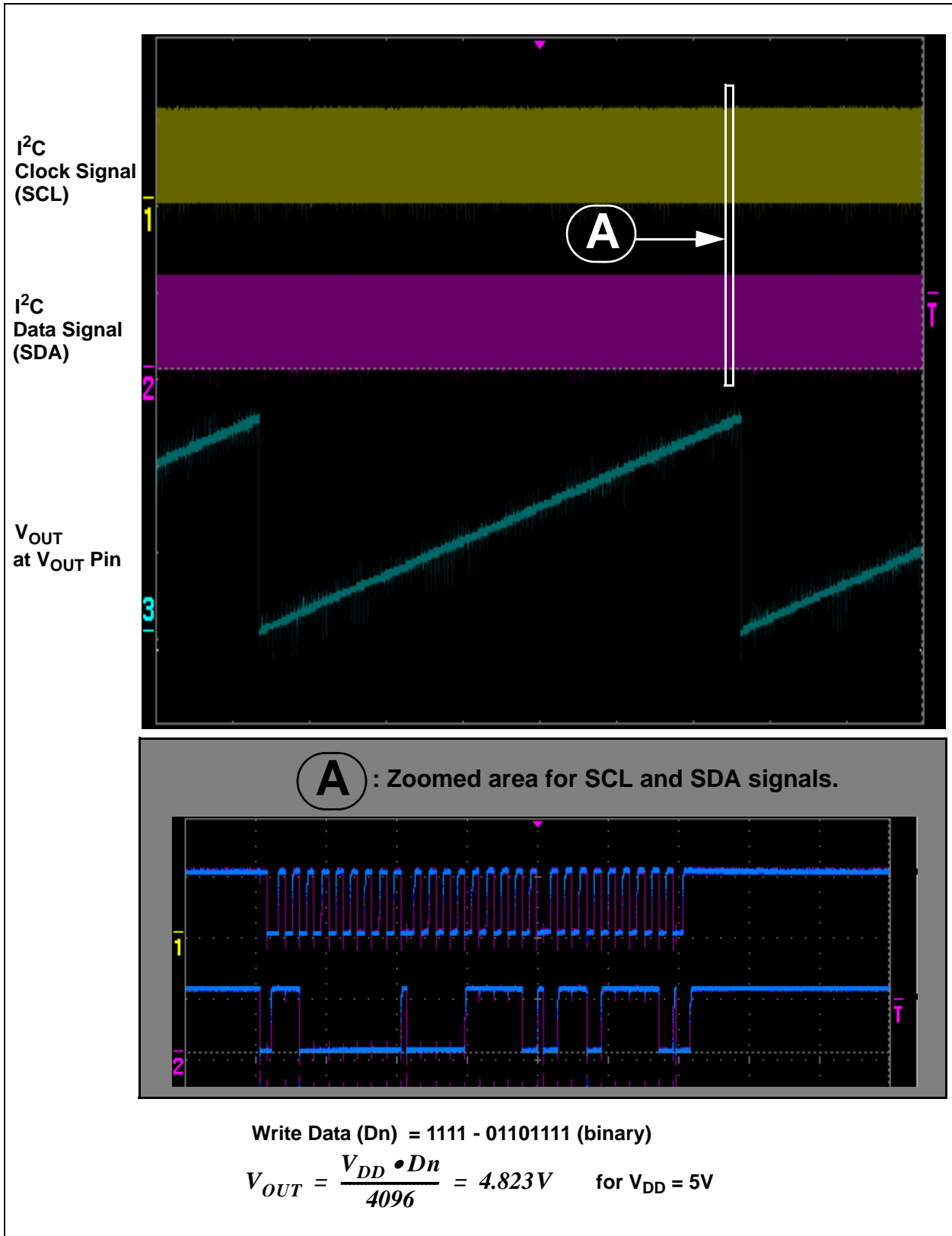


FIGURE 1-7: I²C SCL, SDA, and V_{OUT} Waveforms while incrementing the DAC code by 1 LSB.

MCP4725 PICtail™ Plus Daughter Board User's Guide

1.4 GETTING STARTED WITH PICKIT™ SERIAL ANALYZER

The user can use the MCP4725 PICtail™ Plus Daughter Board with the PICKit™ Serial Analyzer by setting up as shown in Figure 1-8.

The following describes how to use them together:

1. Connect the MCP4725 PICtail™ Plus Daughter Board's J2 pin socket to the PICKit™ Serial Analyzer.
2. Connect a Digital Voltmeter to V_{OUT} pin and V_{SS} .

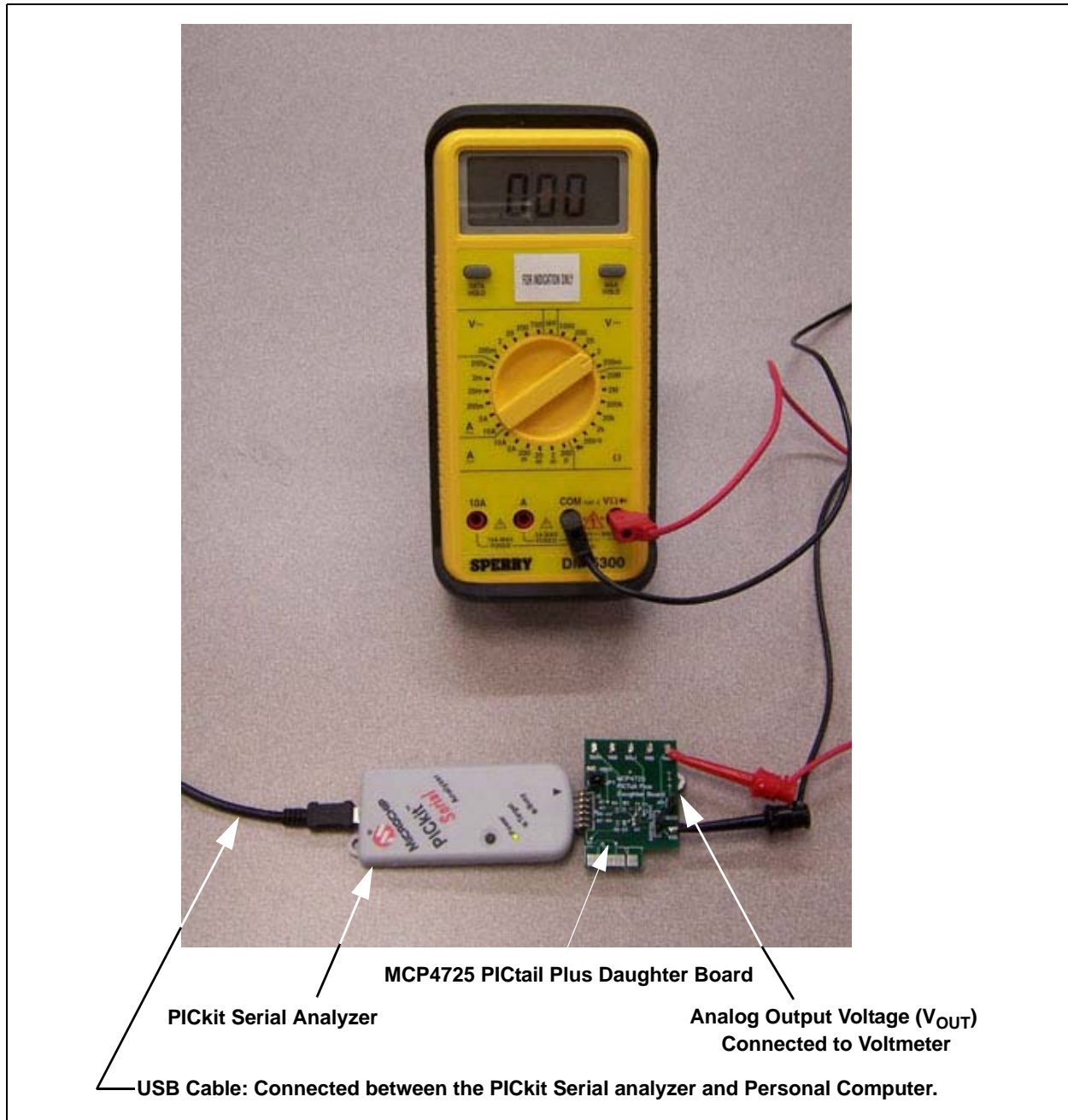
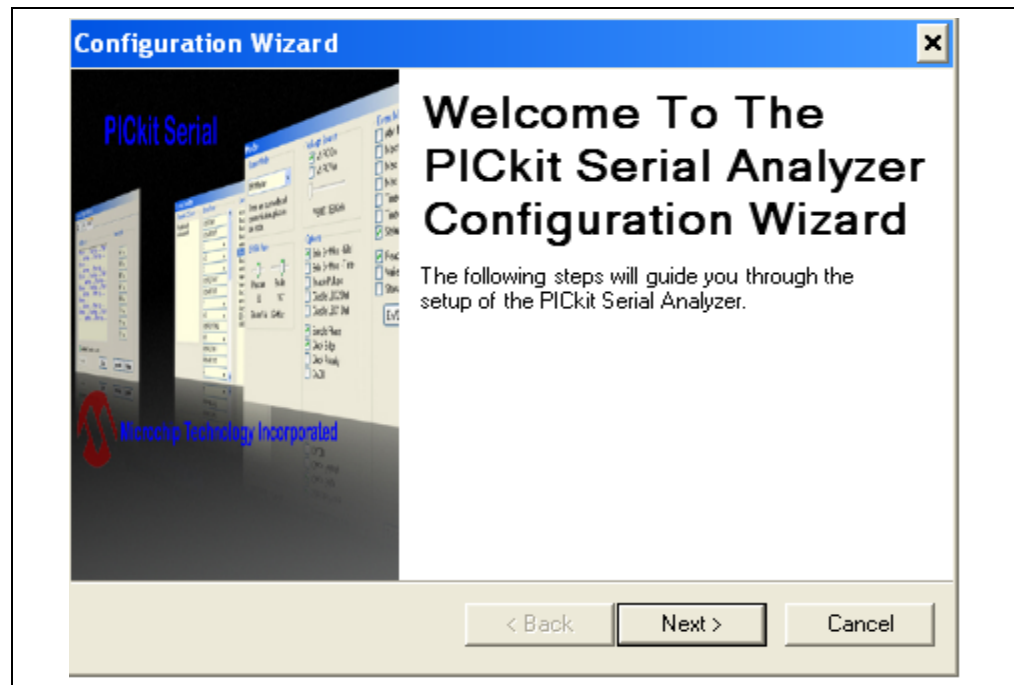


FIGURE 1-8: MCP4725 PICtail™ Plus Daughter Board with the PICKit™ Serial Analyzer.

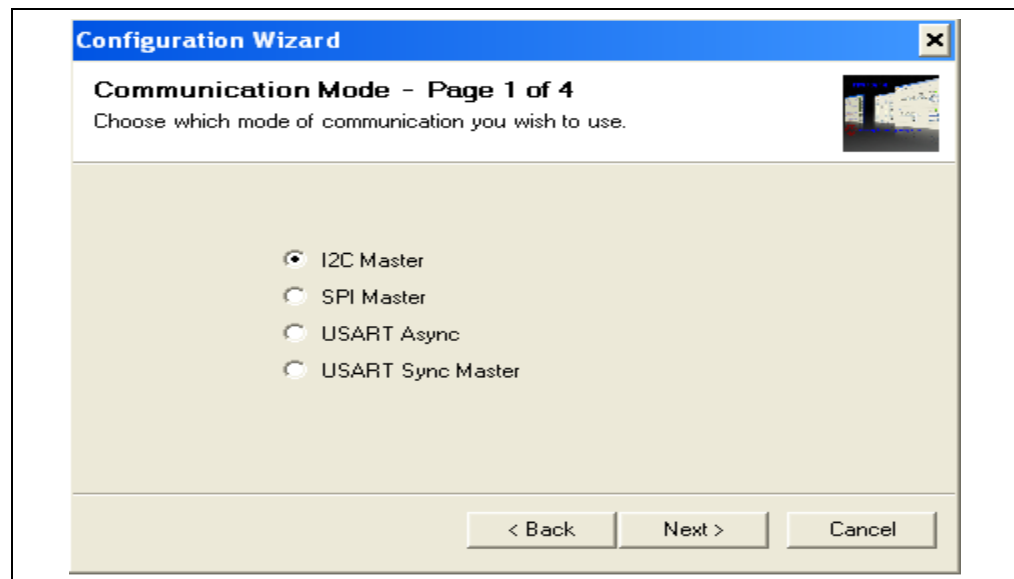
1.4.1 PICKit™ Serial Analyzer PC Software Set-Up for the MCP4725 Daughter Board

The following steps describe how to set and use the PICKit™ Serial Analyzer PC Graphic User Interface (GUI) to control the MCP4725 PICtail™ Plus Daughter Board.

1. Install the PICKit™ Serial Analyzer software onto your personal computer (PC).
2. Connect the USB cable between the PICKit™ Serial Analyzer and your PC.
3. Run the PICKit™ Serial PC Software: It will open up to the following graphic user interface (GUI). Click the **Next** button and follow the instructions:

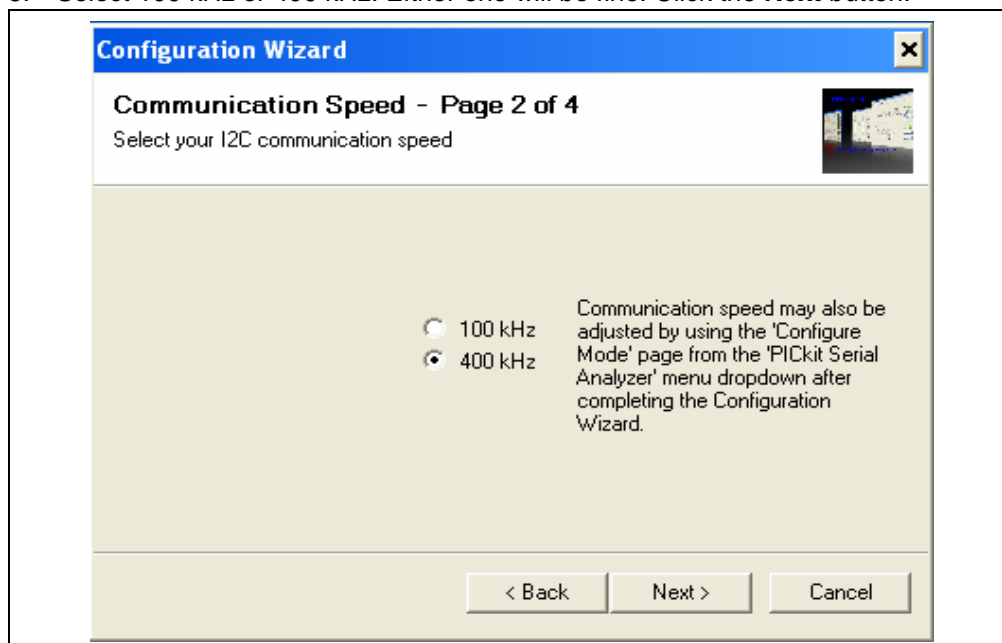


4. Select the Communication Mode type: I²C Master, and click the **Next** button.



MCP4725 PICtail™ Plus Daughter Board User's Guide

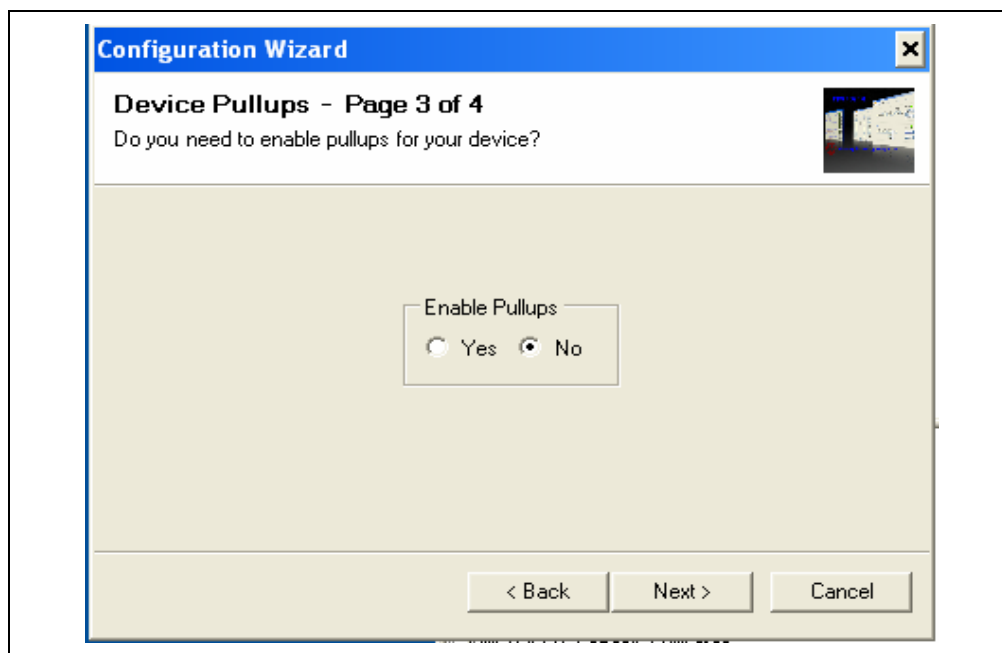
5. Select 100 kHz or 400 kHz. Either one will be fine. Click the **Next** button.



Note: The MCP4725 device supports the I²C bus data rate up to 3.4 MHz, but the current version of the PICkit™ Serial Analyzer supports the I²C bus data rate up to 400 kHz only.

6. Select No on Enable Pull-ups, and click the **Next** button.

Note: The MCP4725 PICtail™ Plus Daughter Board has its own pull-up resistors, therefore, you don't need additional pull-up resistors from the PICkit™ Serial Analyzer.



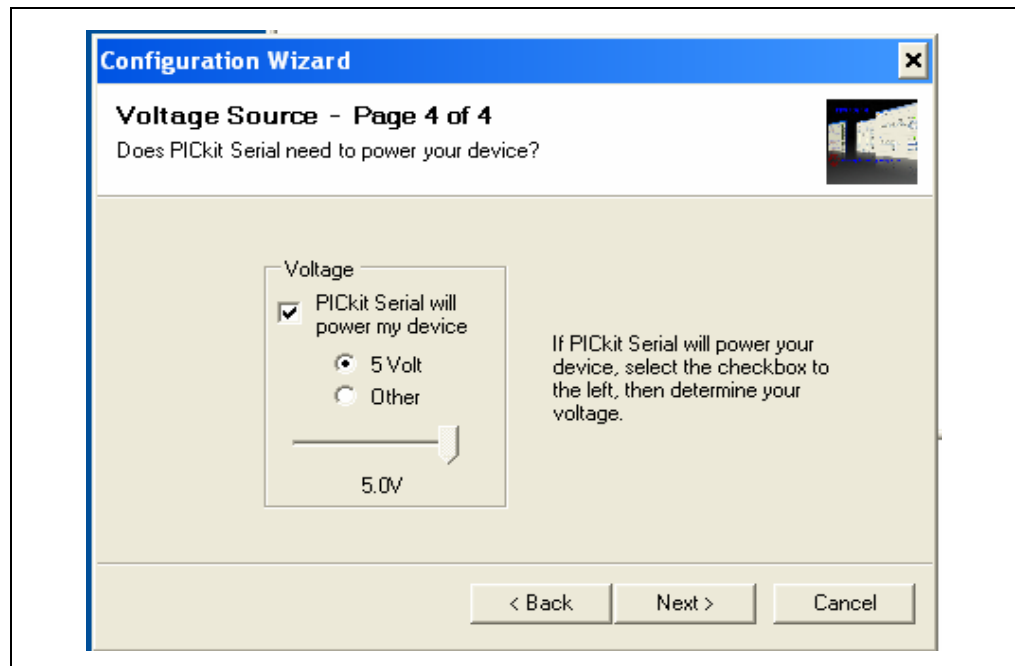
7. Select the V_{DD} voltage of the MCP4725 PICtail™ Plus Daughter Board and click the **Next** button.

Case 1: When you use V_{DD} from the PICkit™ Serial Analyzer:

If you choose **PICkit™ Serial will power my device** and **5 Volts** as shown below, the the MCP4725 PICtail™ Plus Daughter Board is powered by the 5V DC from the PICkit™ Serial Analyzer through the JP1 jumper. In this case, make sure that the JP1 jumper on the MCP4725 PICtail™ Plus Daughter Board is connected.

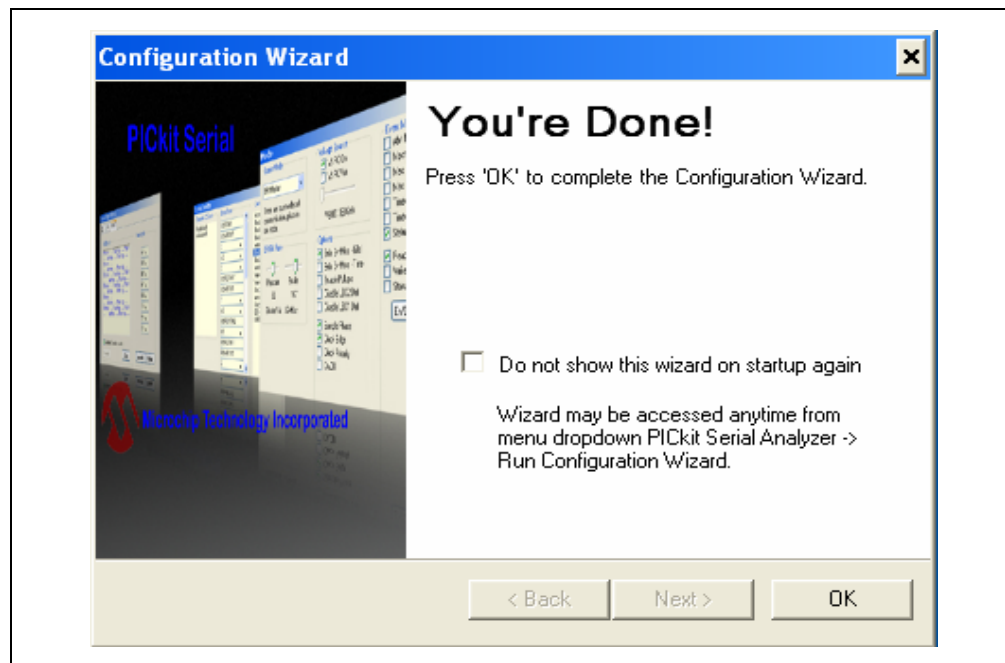
Case 2: When you use your own V_{DD} :

You can also provide your own V_{DD} voltage by applying a V_{DD} voltage at TP1. In this case, make sure that the JP1 jumper is disconnected.



MCP4725 PICtail™ Plus Daughter Board User's Guide

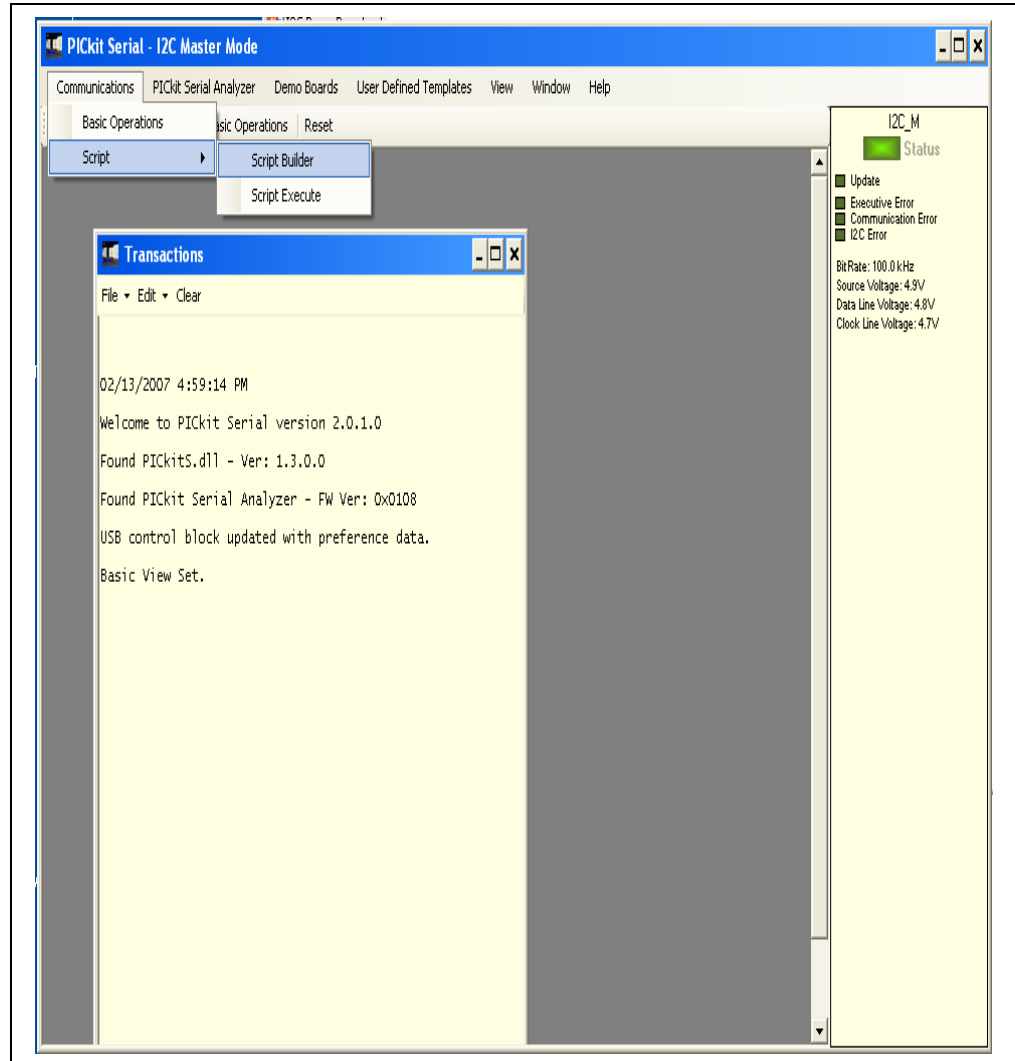
8. Click the **OK** button. You have made all of the PICkit™ Serial Analyzer Configuration Set-ups. You are now ready to program the MCP4725 PICtail™ Plus Daughter Board using the PICkit™ Serial Analyzer.



1.4.2 Creating Script Files

In order to make a communication between the PICKit™ Serial Analyzer and the MCP4725 PICtail™ Plus Daughter Board, it needs a script file. The following procedure shows how to create script files and how to use them.

1. Select **Communication** ----> **Script** ---> **Script Builder**.



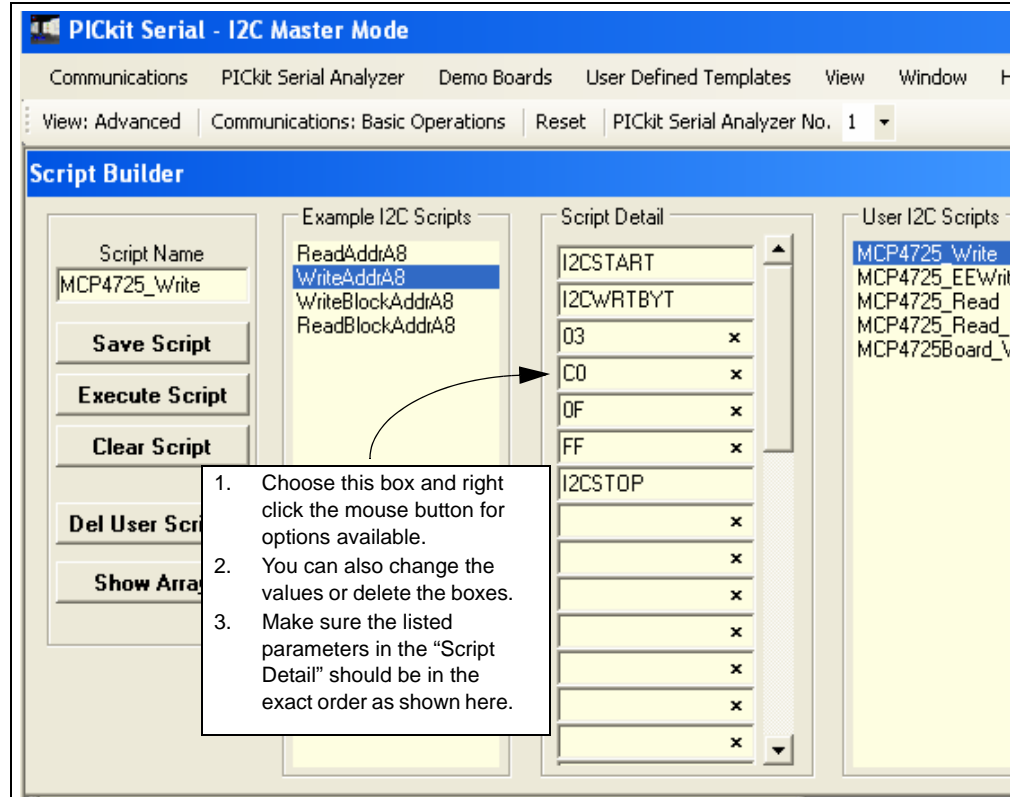
MCP4725 PICtail™ Plus Daughter Board User's Guide

1.4.2.1 CREATING SCRIPT FILES TO PROGRAM DAC REGISTER

- Click on **WriteBlockAddrA8** in “Example I2C Scripts” column.
This will fill in the spaces under **Script Detail** column.

Modifying the Script Details Parameters:

- Under the Script Detail column, select the item in the parameter box.
- Right click the mouse button and an option box appears to the right of your selection. This gives you the options that are available for the parameter selected.
- Select the desired option.
- Keep the parameters in the same order as shown below:

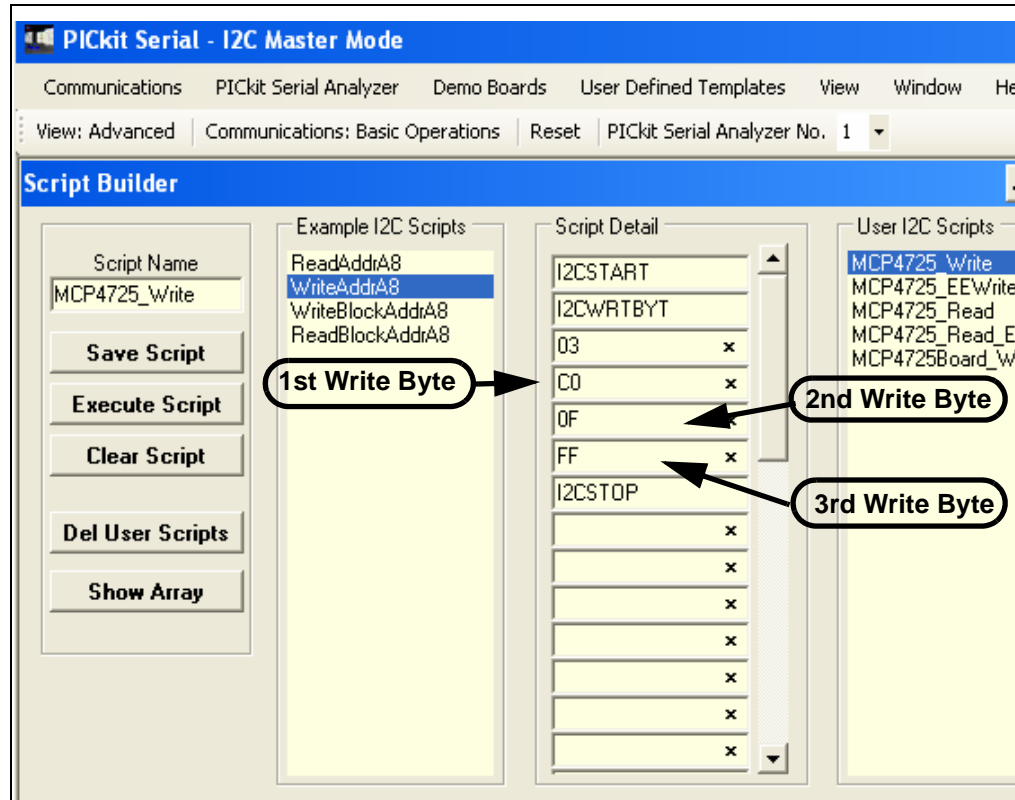


- Change the parameter value.

Script Detail	
I2CSTART	*
I2CWRTBYT	*
03	-----> This means there are three bytes to send
C0	-----> 1st Write Byte: Address byte = 1100-0000
0F	-----> 2nd Write Byte: 0000-1111
FF	-----> 3rd Write Byte: 1111-1111
I2CSTOP	*

Note: All 7 parameters above must be listed in order. The parameters with * are not modifiable. Address bits A2, A1, A0 = 1, 1, 0 if both JMP2 and JMP3 are tied to V_{DD}. You can choose any data you want for the 2nd and 3rd write bytes. If you use the above write data, the MCP4725 device will output:

$$V_{OUT} = \frac{V_{DD} \cdot FFF(hex)(V)}{4096} = V_{DD}(V)$$



1.4.2.2 SAVING THE SCRIPT FILE AND PROGRAMMING DAC REGISTER (FAST MODE)

1. Change 2nd and 3rd data bytes you want in the Script Detail.
2. Type in any script name (i.e., MCP4725_Write) in the space below the **Script Name** menu.
3. Click **Save Script** button.
4. Click **Execute Script** button.

Note: At this point, the PICKit™ Serial transmits the Fast Write Command to the MCP4725 device. The saved file name will appear in **Users I2C Scripts** column and can be reused any time by selecting the file name.

5. The device provides analog output voltage (V_{OUT}) at the V_{OUT} terminal on the MCP4725 PICtail™ Plus Daughter Board.
6. V_{OUT} can be monitored by using a voltmeter.

Note: When you click on the “Execute Script” menu, the “Busy” LED on the PICKit Serial Analyzer will momentarily turn on and then turn off. If the LED remains ON, a communications problem has occurred. Remove the PICKit Serial Analyzer from the personal computer and recheck the parameter value in the order of the parameters under the **Script Detail** column. Try again until the “Busy” LED goes OFF after executing the write command.

MCP4725 PICtail™ Plus Daughter Board User's Guide

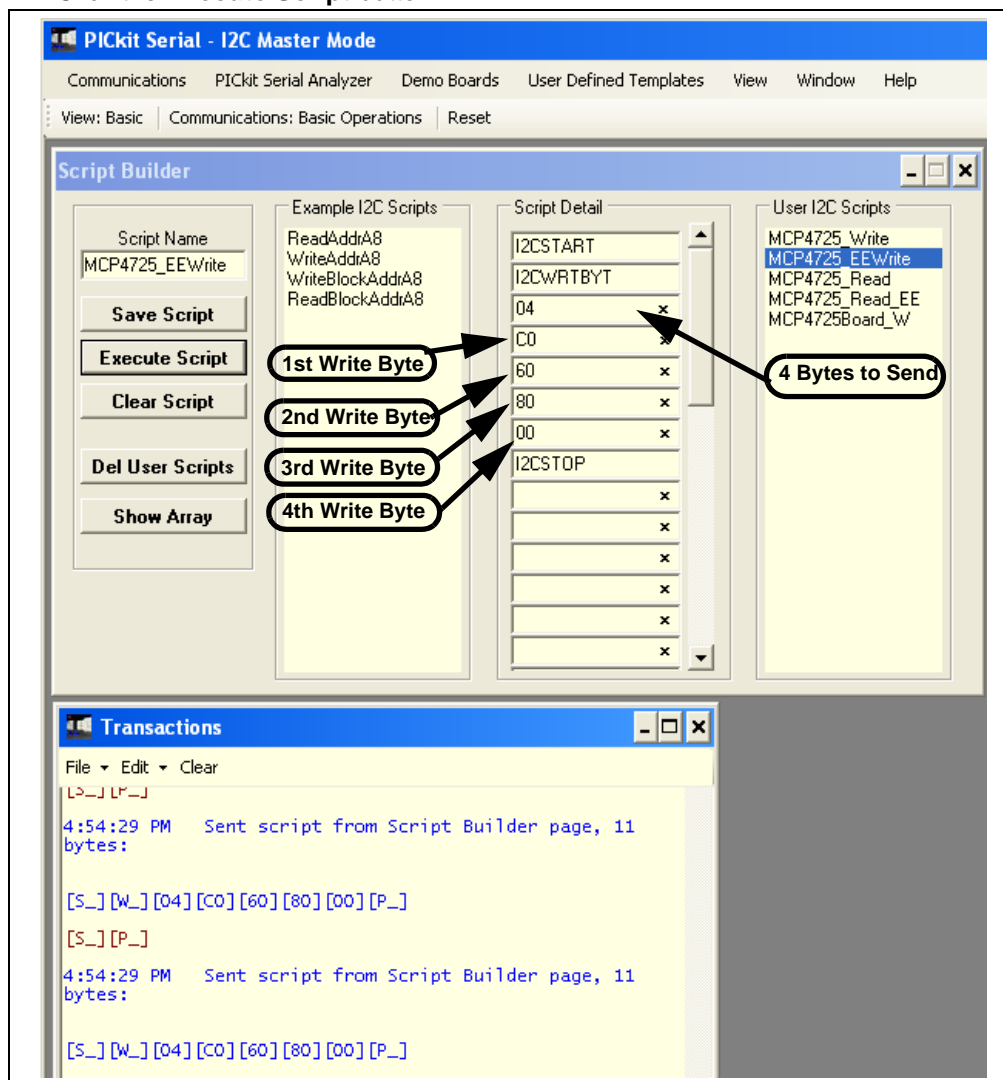
1.4.2.3 CREATING SCRIPT FILE TO PROGRAM DAC REGISTER AND EEPROM

1. Get a new script file by selecting the **WriteAddrA8** from the “Example I2C Scripts” column.
2. Modify the **Script Detail** column as shown below:

Script Detail	
I2CSTART	
I2CWRTBYT	
04	-----> This means Master will send four bytes
C0	-----> 1st Write Byte: Address byte = 1100-0000
60	-----> 2nd Write Byte: 0110-0000
80	-----> 3rd Write Byte: 1000-0000
00	-----> 4th Write Byte: 0000-0000
I2CSTOP	

$$\text{Now the device will output } V_{OUT} = \frac{V_{DD} \cdot D_n}{4096} = \frac{5V \cdot 800(\text{hex})}{4096} = 2.5V$$

3. Type in the script name (i.e., **MCP4725_EEWrite**) in the space below the Script Name menu.
4. Click the **Execute Script** button.



MCP4725 PICtail™ Plus Daughter Board User's Guide

1.4.4.1 READING BOTH THE DAC REGISTER AND EEPROM DATA:

The following script file can read both DAC input register and EEPROM.

1. Modify the script file as shown below and save it. Click on **Execute Script** button.
2. The results (DAC code and EEPROM data) will appear on the PICkit™ Serial Transactions page.

The screenshot displays the PICkit Serial Analyzer software interface. The top window is the **Script Builder**, which includes a list of **Example I2C Scripts** (ReadAddrA8, WriteAddrA8, WriteBlockAddrA8, ReadBlockAddrA8) and a **Script Detail** section. The **Script Detail** section shows the following commands and values:

Command	Value	Unit
I2CSTART		
I2CWRTBYT	01	x
	C1	x
I2CRDDBYTNLB	5	x
I2CSTOP		
		x
		x
		x
		x
		x
		x
		x

An arrow points from a callout box labeled **Requesting 5 Bytes** to the value '5' in the **I2CRDDBYTNLB** row. The **Transactions** window below shows the following log entries:

```
6:41:13 PM Sent script from Script Builder page, 11 bytes:
[S_] [W_] [04] [CO] [60] [80] [00] [P_]
[S_] [P_]
6:41:27 PM Sent script from Script Builder page, 10 bytes:
[S_] [W_] [01] [C1] [RN] [05] [P_]
[S_] [CO] [80] [00] [08] [00] [P_]
```

Callout boxes with arrows identify the following elements in the transactions log:

- Written Data using a Write Command**: Points to the first transaction line.
- DAC Register Data**: Points to the **[01]** value in the second transaction line.
- EEPROM Data**: Points to the **[05]** value in the second transaction line.
- Reading Data using a Read Command**: Points to the **[80]** and **[08]** values in the second transaction line.

1.5 EXAMPLES OF THE MCP4725 PROGRAMMING USING THE PICKIT™ SERIAL ANALYZER

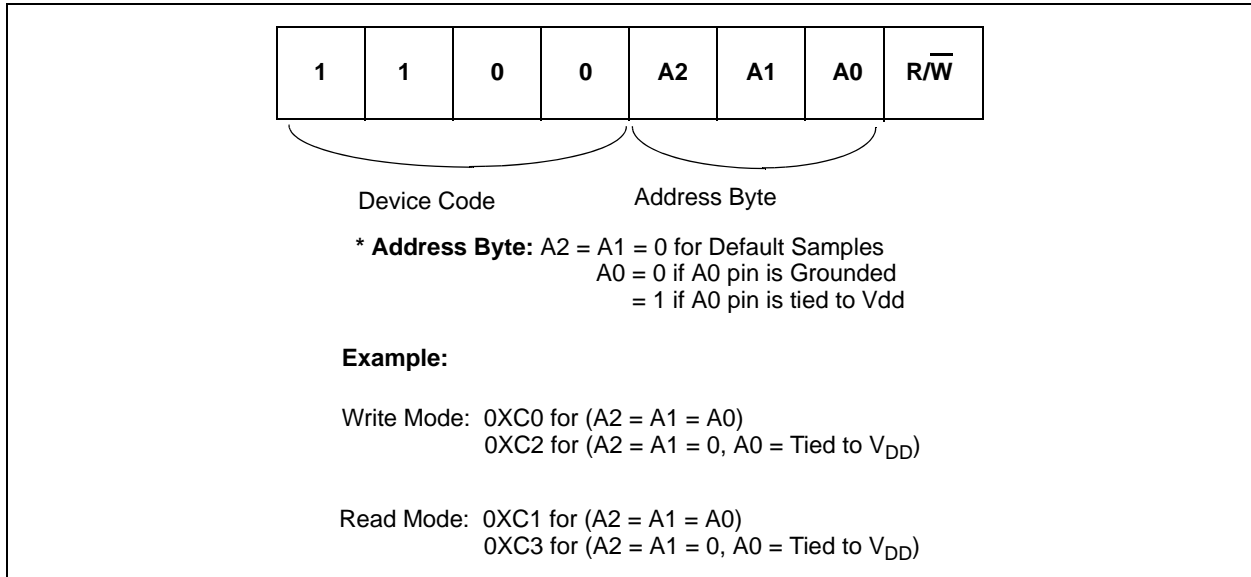


FIGURE 1-9: MCP4725 Device Address Bytes.

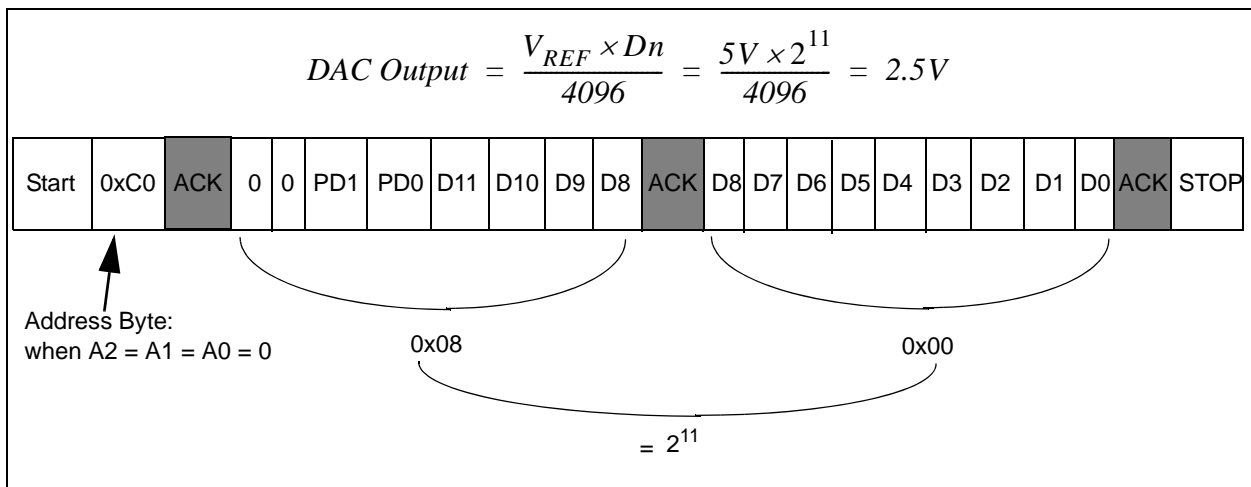


FIGURE 1-10: Fast Mode Write Command for V_{OUT} = 2.5V when V_{REF} = 5V.

MCP4725 PICtail™ Plus Daughter Board User's Guide

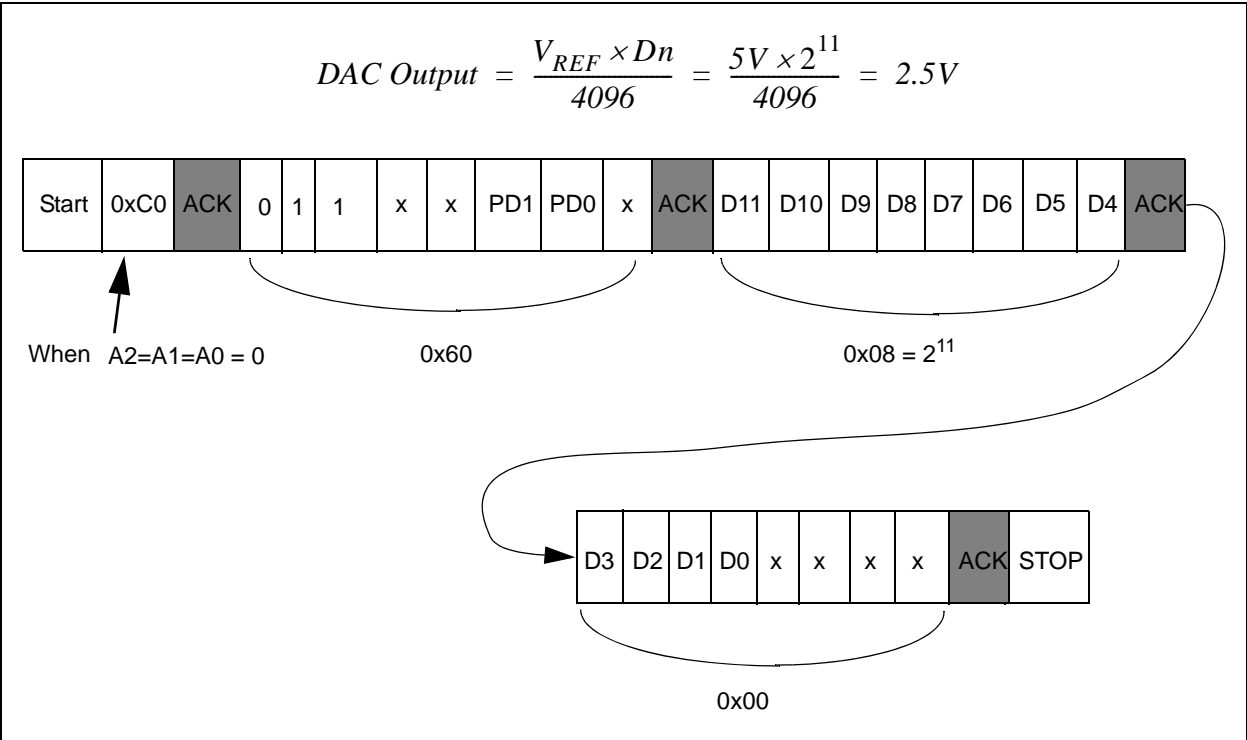


FIGURE 1-11: Write Command for EEPROM and DAC Register for $V_{OUT} = V_{DD}/2$.



MCP4725 PICtail™ Plus DAUGHTER BOARD USER'S GUIDE

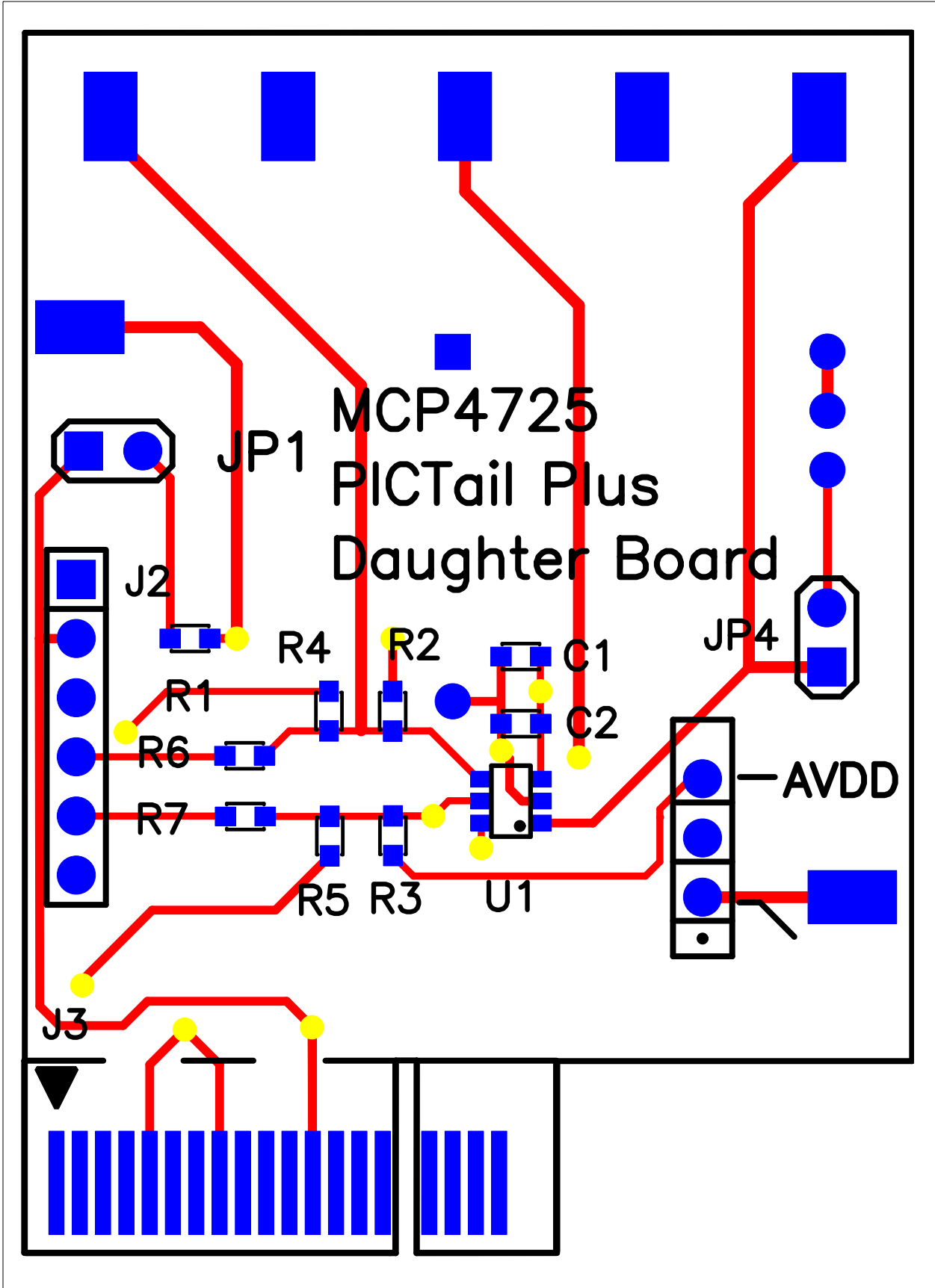
Appendix A. Schematic and Layouts

A.1 INTRODUCTION

This appendix contains the following schematics and layouts for the MCP4725 PICtail™ Plus Daughter Board:

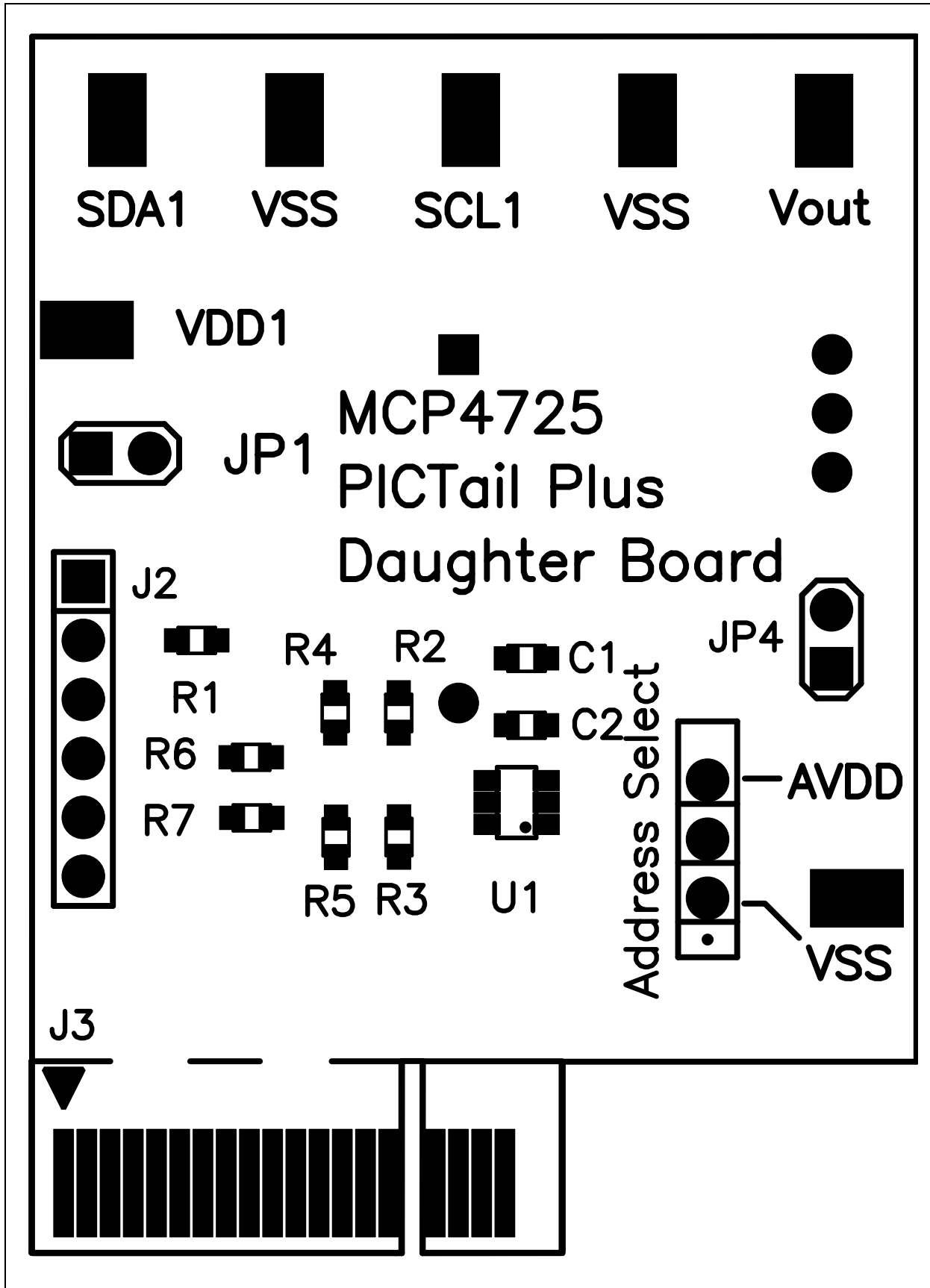
- Board – Schematic
- Board – Top Layer
- Board – Top Metal Layer
- Board – Bottom Layer

A.3 BOARD – TOP LAYER

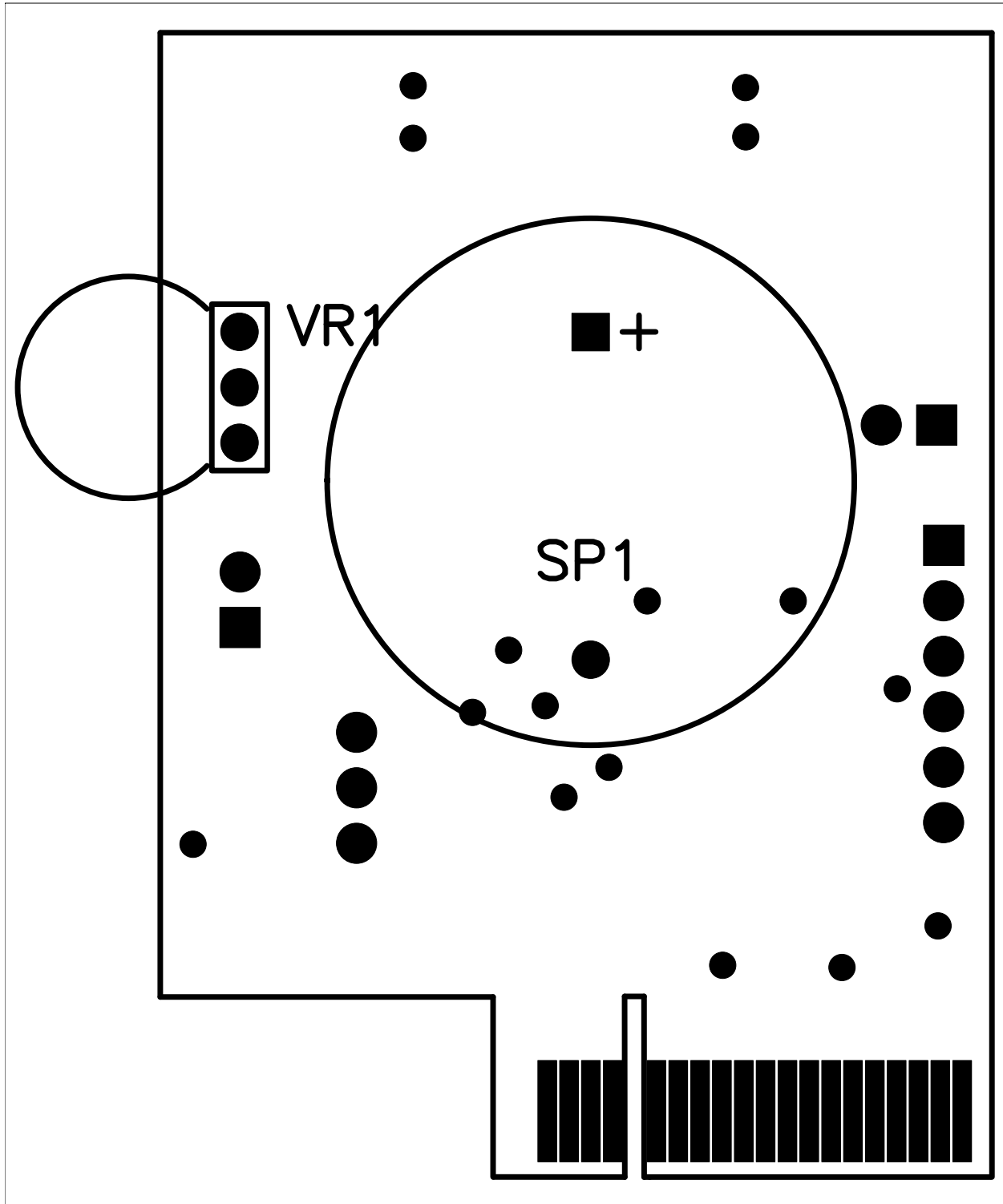


MCP4725 PICTail™ Plus Daughter Board User's Guide

A.4 BOARD – TOP METAL LAYER

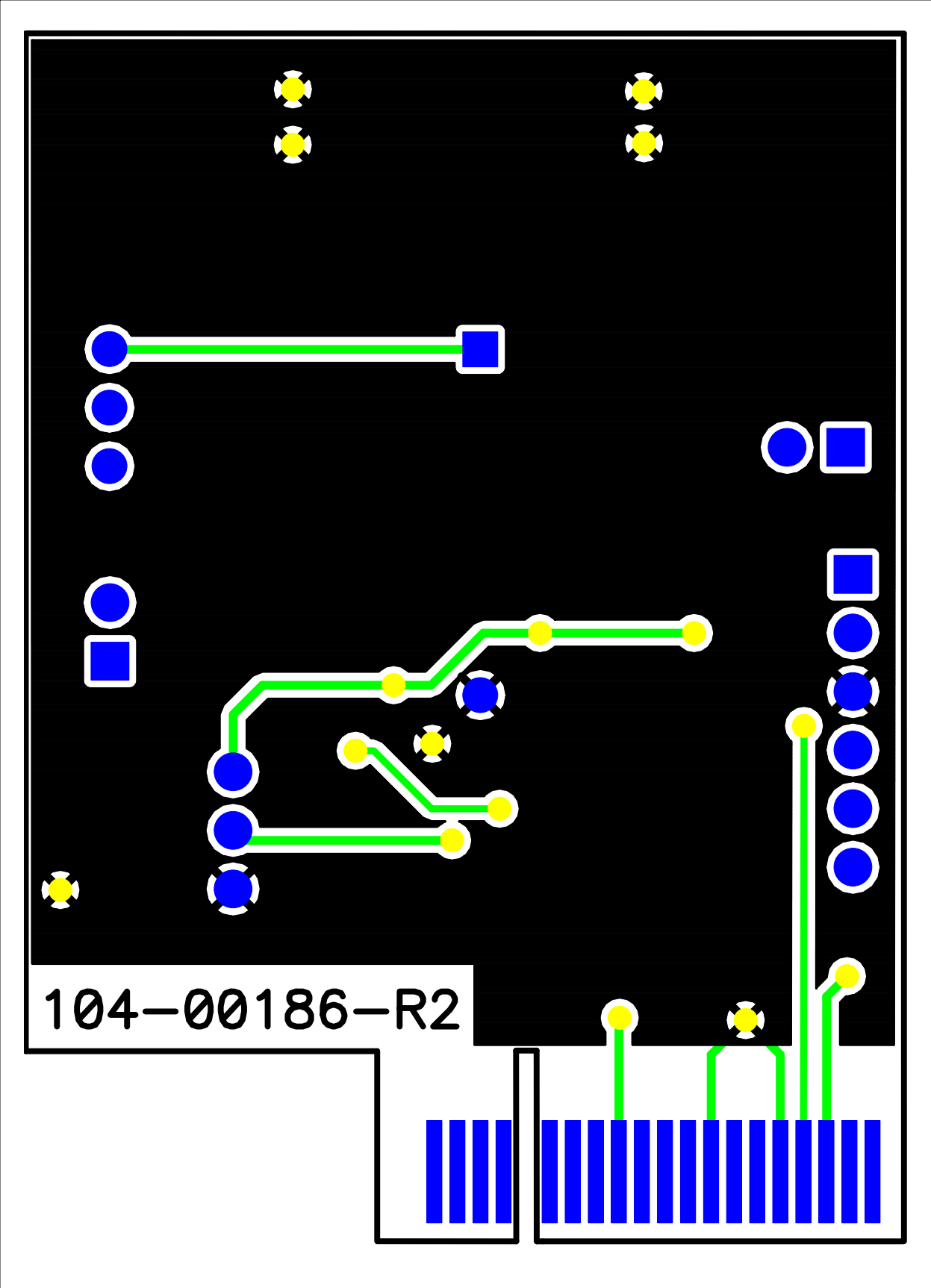


A.5 BOARD – BOTTOM LAYER



MCP4725 PICtail™ Plus Daughter Board User's Guide

A.6 BOARD – BOTTOM METAL LAYER





MCP4725 PICtail™ Plus DAUGHTER BOARD USER'S GUIDE

Appendix B. Bill Of Materials (BOM)

TABLE B-1: BILL OF MATERIALS (BOM)

Qty	Reference	Description	Manufacturer	Part Number
1	C1	CAP .1UF 16V CERAMIC X7R 0603	Panasonic - ECG	ECJ-1VB1C104K
1	C2	CAP 1.0UF 16V CERAMIC X5R 0603	Panasonic - ECG	ECJ-1VB1C105K
1	J2	DO NOT POPULATE CONN HEADER 6POS .100 VERT TIN	Molex/Waldom Electronics Corp	22-28-4060
1	JMP1	CONN HEADER 3POS .100" STR TIN	Molex/Waldom Electronics Corp	90120-0123
3	JMP1, JP1, JP2	SHUNT LP W/HANDLE 2 POS 30AU Bag shunts with kit	Tyco Electronics/Amp	881545-2
2	JP1, JP2	CONN HEADER 2POS .100 VERT TIN	Molex/Waldom Electronics	22-03-2021
1	PCB	RoHS Compliant Bare PCB, MCP4725 PICtail Plus Daughter Board	—	104-00186
1	R1	RES 100 OHM 1/10W 1% 0603 SMD	Panasonic - ECG	ERJ-3EKF1000V
2	R2, R3	RES 10.0K OHM 1/10W 1% 0603 SMD	Panasonic - ECG	ERJ-3EKF1002V
4	R4, R5, R6, R7	RES 0.0 OHM 1/10W 5% 0603 SMD	Yageo Corporation	RC0603JR-070RL
1	SP1	BUZZER PIEZO 3KHZ 24MM PC MT	Mallory Sonalert Products Inc	PK-21N30PQ
5	TP1, TP2, T3 TP4, TP5	PC TEST POINT COMPACT SMT	Keystone Electronics	5016
1	U1	12-Bit Digital-to-Analog Converter with EEPROM Memory in SOT-23-6	Microchip Technology Inc	MCP4725A0T-E/CH
1	VR1	POT 5.0K OHM THUMBWHEEL CERM ST	Bourns Inc.	3352T-1-502

Note 1: The components listed in this Bill of Materials are representative of the PCB assembly. The released BOM used in manufacturing uses all RoHS-compliant components.



WORLDWIDE SALES AND SERVICE

AMERICAS

Corporate Office
2355 West Chandler Blvd.
Chandler, AZ 85224-6199
Tel: 480-792-7200
Fax: 480-792-7277
Technical Support:
<http://support.microchip.com>
Web Address:
www.microchip.com

Atlanta
Duluth, GA
Tel: 678-957-9614
Fax: 678-957-1455

Boston
Westborough, MA
Tel: 774-760-0087
Fax: 774-760-0088

Chicago
Itasca, IL
Tel: 630-285-0071
Fax: 630-285-0075

Dallas
Addison, TX
Tel: 972-818-7423
Fax: 972-818-2924

Detroit
Farmington Hills, MI
Tel: 248-538-2250
Fax: 248-538-2260

Kokomo
Kokomo, IN
Tel: 765-864-8360
Fax: 765-864-8387

Los Angeles
Mission Viejo, CA
Tel: 949-462-9523
Fax: 949-462-9608

Santa Clara
Santa Clara, CA
Tel: 408-961-6444
Fax: 408-961-6445

Toronto
Mississauga, Ontario,
Canada
Tel: 905-673-0699
Fax: 905-673-6509

ASIA/PACIFIC

Asia Pacific Office
Suites 3707-14, 37th Floor
Tower 6, The Gateway
Harbour City, Kowloon
Hong Kong
Tel: 852-2401-1200
Fax: 852-2401-3431

Australia - Sydney
Tel: 61-2-9868-6733
Fax: 61-2-9868-6755

China - Beijing
Tel: 86-10-8528-2100
Fax: 86-10-8528-2104

China - Chengdu
Tel: 86-28-8665-5511
Fax: 86-28-8665-7889

China - Hong Kong SAR
Tel: 852-2401-1200
Fax: 852-2401-3431

China - Nanjing
Tel: 86-25-8473-2460
Fax: 86-25-8473-2470

China - Qingdao
Tel: 86-532-8502-7355
Fax: 86-532-8502-7205

China - Shanghai
Tel: 86-21-5407-5533
Fax: 86-21-5407-5066

China - Shenyang
Tel: 86-24-2334-2829
Fax: 86-24-2334-2393

China - Shenzhen
Tel: 86-755-8203-2660
Fax: 86-755-8203-1760

China - Wuhan
Tel: 86-27-5980-5300
Fax: 86-27-5980-5118

China - Xiamen
Tel: 86-592-2388138
Fax: 86-592-2388130

China - Xian
Tel: 86-29-8833-7252
Fax: 86-29-8833-7256

China - Zhuhai
Tel: 86-756-3210040
Fax: 86-756-3210049

ASIA/PACIFIC

India - Bangalore
Tel: 91-80-4182-8400
Fax: 91-80-4182-8422

India - New Delhi
Tel: 91-11-4160-8631
Fax: 91-11-4160-8632

India - Pune
Tel: 91-20-2566-1512
Fax: 91-20-2566-1513

Japan - Yokohama
Tel: 81-45-471- 6166
Fax: 81-45-471-6122

Korea - Daegu
Tel: 82-53-744-4301
Fax: 82-53-744-4302

Korea - Seoul
Tel: 82-2-554-7200
Fax: 82-2-558-5932 or
82-2-558-5934

Malaysia - Kuala Lumpur
Tel: 60-3-6201-9857
Fax: 60-3-6201-9859

Malaysia - Penang
Tel: 60-4-227-8870
Fax: 60-4-227-4068

Philippines - Manila
Tel: 63-2-634-9065
Fax: 63-2-634-9069

Singapore
Tel: 65-6334-8870
Fax: 65-6334-8850

Taiwan - Hsin Chu
Tel: 886-3-572-9526
Fax: 886-3-572-6459

Taiwan - Kaohsiung
Tel: 886-7-536-4818
Fax: 886-7-536-4803

Taiwan - Taipei
Tel: 886-2-2500-6610
Fax: 886-2-2508-0102

Thailand - Bangkok
Tel: 66-2-694-1351
Fax: 66-2-694-1350

EUROPE

Austria - Wels
Tel: 43-7242-2244-39
Fax: 43-7242-2244-393

Denmark - Copenhagen
Tel: 45-4450-2828
Fax: 45-4485-2829

France - Paris
Tel: 33-1-69-53-63-20
Fax: 33-1-69-30-90-79

Germany - Munich
Tel: 49-89-627-144-0
Fax: 49-89-627-144-44

Italy - Milan
Tel: 39-0331-742611
Fax: 39-0331-466781

Netherlands - Drunen
Tel: 31-416-690399
Fax: 31-416-690340

Spain - Madrid
Tel: 34-91-708-08-90
Fax: 34-91-708-08-91

UK - Wokingham
Tel: 44-118-921-5869
Fax: 44-118-921-5820