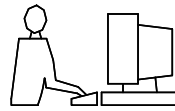
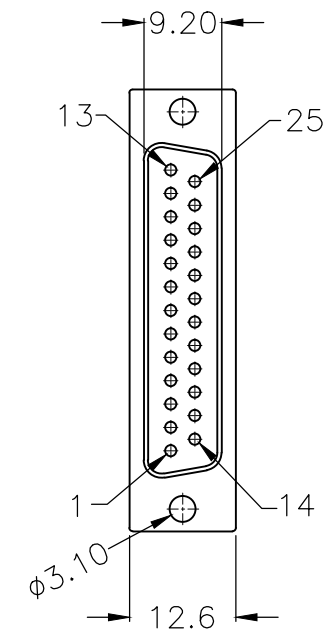
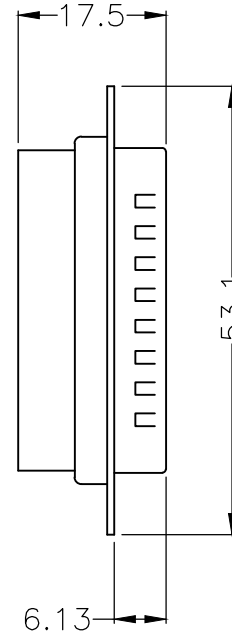
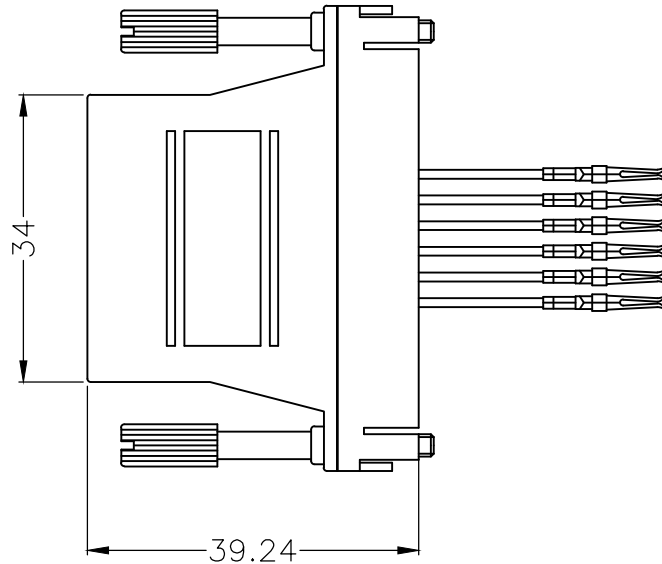
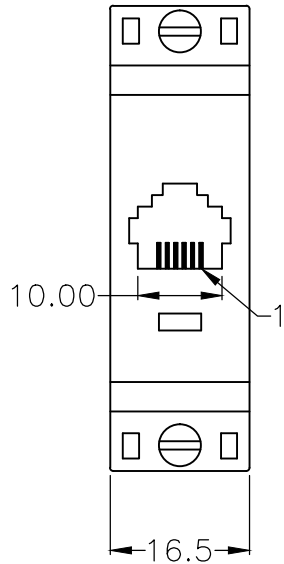


THIS IS A C.A.D. GENERATED DRAWING
DO NOT MAKE MANUAL REVISIONS TO MASTER.



* UNLESS OTHERWISE SPECIFIED TOLERANCES
ON DECIMAL IS:
UNIT: MM .X ±0.3
.XX ±0.20
.XXX ±0.100



Series
Number of positions
B=For RJ12 to D-SUB 25 male
Color: G=Plastic grey
Screw: L=Long screws
Option

| | | |
|-------------|--------------|--------------|
| PIN 1-Black | PIN 2-Yellow | PIN 3-Orange |
| PIN 4-Red | PIN 5-Green | PIN 6-Brown |

| NO. | DESCRIPTION | MATERIAL | FINISH | QTY |
|-----|-------------|----------|---------------------|-----|
| 4 | LEAD WIRE | UL1061 | 26AWG 7 STRAND | 6 |
| 3 | LONG SCREW | STEEL | #4-40 NICKEL PLATED | 2 |
| 2 | TERMINAL | COPPER | GOLD PLATED | 6 |
| 1 | HOOD | ABS | UL 94V-HB | 1 |

| Ordering information | | Unshielded Version |
|----------------------|--------------|--------------------|
| Size | P/N-Kitted | Product Code |
| 25-way | 2112-0100-13 | MHDA25-PMJ6-K-RC |

| | | | | | | | |
|--|--|----------|----------|------|----------|------------------|--|
| THESE DRAWINGS AND SPECIFICATIONS ARE THE PROPERTY OF MH CONNECTORS LTD. AND SHALL NOT BE REPRODUCED, COPIED OR USED AS THE BASIS FOR THE MANUFACTURE OR SALE OF APPARATUS WITHOUT WRITTEN PERMISSION. | | | DRAWN | | DATE | | |
| | | | HALEY | | 10-14-13 | | |
| | | | APPROVED | | DATE | | |
| | | | DAMIEN | | 01-07-14 | | |
| SCALE | | SHEET OF | | REV: | | | |
| | | 1 OF 1 | | 2.0 | | | |
| DRAWING No | | | | | | MHDA25-PMJ6-K-RC | |



THIS SERIES FULLY CONFORMS TO THE EUROPEAN UNION DIRECTIVES 2002/95/EC AND 2002/96/EC FOR RoHS COMPLIANCY.



MH CONNECTORS LTD.