



5/28/2014

Soberton Inc. has changed certain product specifications pertaining to part no. PT-2404. These changes are operative in nature; all dimensions and pin-to-pin compatibility remain unchanged. The new specifications are highlighted below.

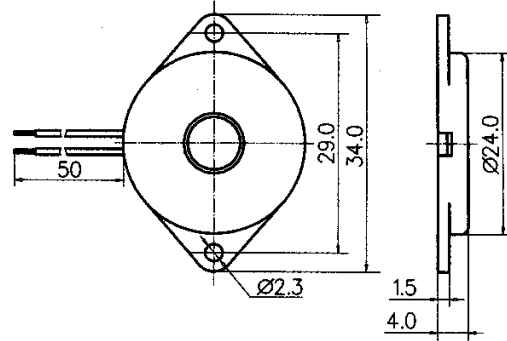
Type	Specification	
	Old	New
Operating Voltage (Vpp)	1~30	1~25
Capacitance at 120Hz (pF)	18,000+/-30%	20,000+/-30%
Resonant Frequency (Hz)	5,500+/-700	4,800+/-700

Please see the new data sheet for full product specifications.

Part No. PT-2404



φ 24.0 × H4.0



Type	Unit	
Rated Voltage Square Wave	(Vpp)	15
Operating Voltage	(Vpp)	1~25
Current Consumption	(mA)	< or = 8
Capacitance at 120 Hz	(pF)	20000±30%
Sound Output (Min)	(dB)	> or = 90
Resonant Frequency	(Hz)	4800±700
Operating Temp	(C)	-20~+70
Storage Temp	(C)	-30~+80
Weight	(g)	1.9
Dimension	mm	24 x H4
*Value applying at rated voltage		
*distance for measurement 10cm		

FREQUENCY RESPONSE

