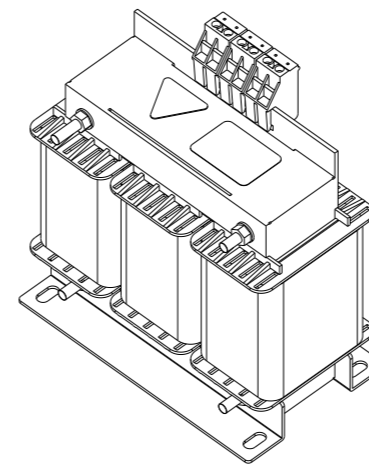
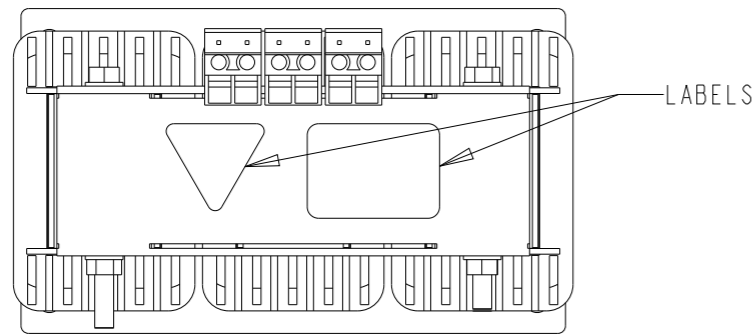


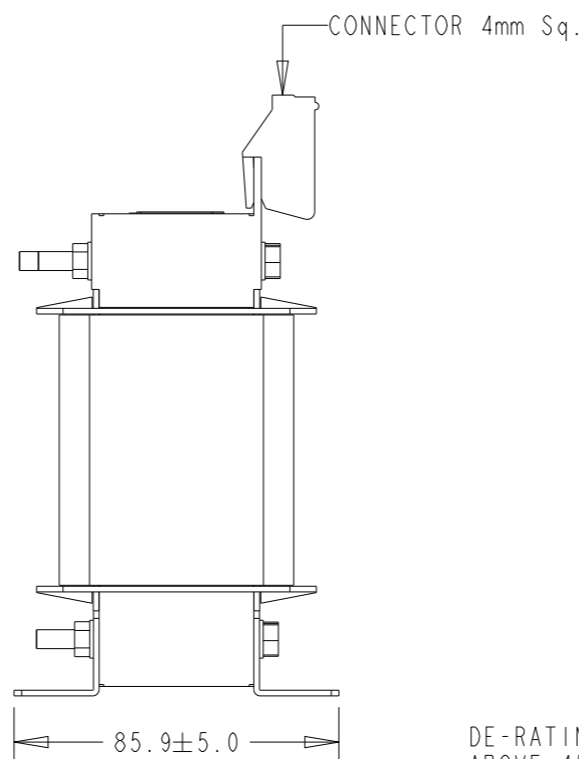
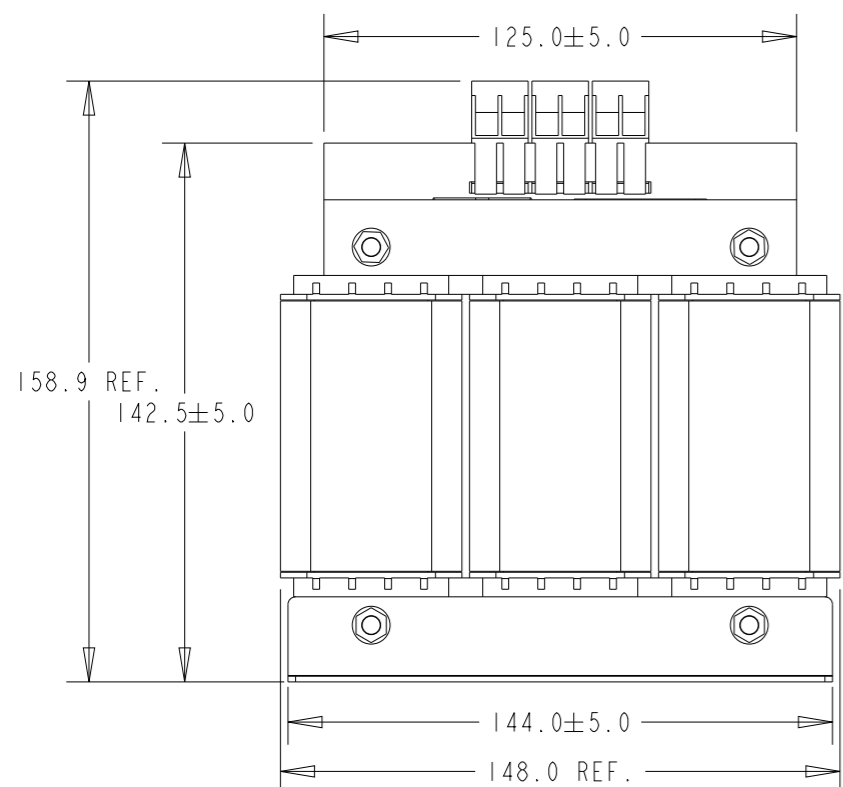
| P | LTR | DESCRIPTION | DATE | DWN | APVD |
|---|-----|-------------------------|-----------|-----|------|
| | A | RELEASED FOR PRODUCTION | 10FEB2023 | DM | CB |
| | A1 | ADDING PRODUCT DATA | 07MAR2023 | DM | CB |



| | |
|-------------------------------------|--------------------------------------|
| NOMINAL OPERATING VOLTAGE (VAC) | 3x 380 to 480 |
| RATED OPERATING VOLTAGE (VAC) | 3x 340 to 530 |
| FREQUENCY (Hz) | 50 / 60 |
| RATED CURRENT (AMPS) | 29.67 |
| OP. TEMP. RANGE @ RATED CURRENT | -45°C to +45°C |
| RATED POWER @ 400VAC (kW) | 18.50 |
| RATED POWER @ 400VAC (HP) | 24.80 |
| IMPEDANCE @ 400VAC (%) | 4 |
| INDUCTANCE, NOMINAL (mH) | 0.990 |
| POWER OVERLOAD, 1 MINUTE EVERY HOUR | 1.6 |
| VOLTAGE WITHSTAND 1 MINUTE (kVAC) | 2 |
| POLLUTION DEGREE | PD2 |
| COOLING | NATURAL |
| PROTECTION CLASS | IP00 |
| INSULATION CLASS | N |
| STORAGE TEMPERATURE RANGE (°C) | -45°C to +100°C |
| CLIMATIC CATEGORY | 45/100/21 |
| DESIGN CORRESPONDING TO | EN61558-2-20, EN60076-6, UL61800-5-1 |

SAFETY ORGANIZATIONS

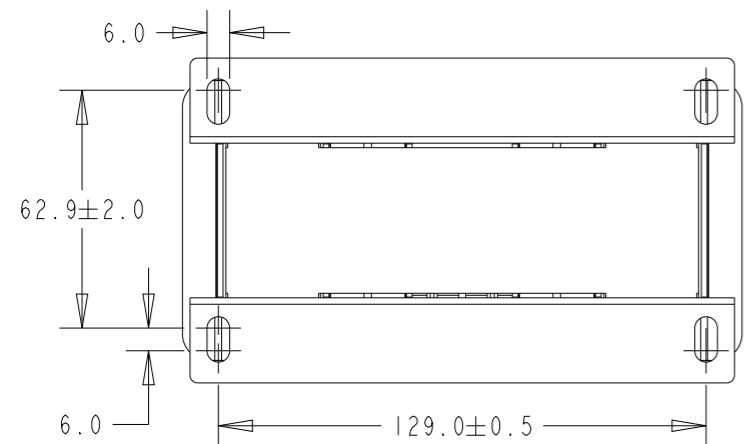
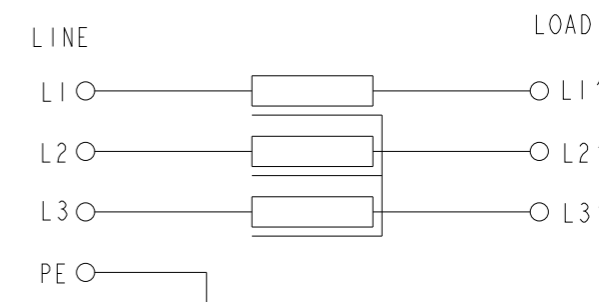
UL RECOGNIZED AS PER UL 508 HARDWARE CERTIFICATION



DE-RATING FORMULAE FOR OPERATION ABOVE 45°C AMBIENT CONDITIONS:

$$I = I_n \sqrt{\frac{100 - T_{a\ new}}{100 - 45}}$$

TYPICAL CIRCUIT DIAGRAM



RoHS COMPLIANT

| | | | | | | | |
|---|--|--------------|----------|------------------|--------------------------------|-----------|-------|
| THIS DRAWING IS A CONTROLLED DOCUMENT. | | DWN | C. BOLLE | 06OCT2022 | TE Connectivity | | |
| DIMENSIONS: mm | | CHK | C. BOLLE | 06OCT2022 | | | |
| TOLERANCES UNLESS OTHERWISE SPECIFIED: | | APVD | L. RAJ | 06OCT2022 | | | |
| 0 PLC ±- 1 PLC ±0.1 2 PLC ±0.01 3 PLC ±0.001 4 PLC ±0.0001 ANGLES ±- | | PRODUCT SPEC | NAME | | | | |
| MATERIAL | | - | | APPLICATION SPEC | RPO-3-30 THREE LINE REACTOR | | |
| FINISH | | - | | WEIGHT | - | | |
| - | | - | | CUSTOMER DRAWING | SCALE | 1:2 | |
| - | | - | | SIZE | A3 | CAGE CODE | 00779 |
| - | | - | | DRAWING NO | G-1-2432409-8 | | |
| - | | - | | RESTRICTED TO | - | | |
| - | | - | | SHEET | 1 | OF | 1 |
| - | | - | | REV | A1 | | |