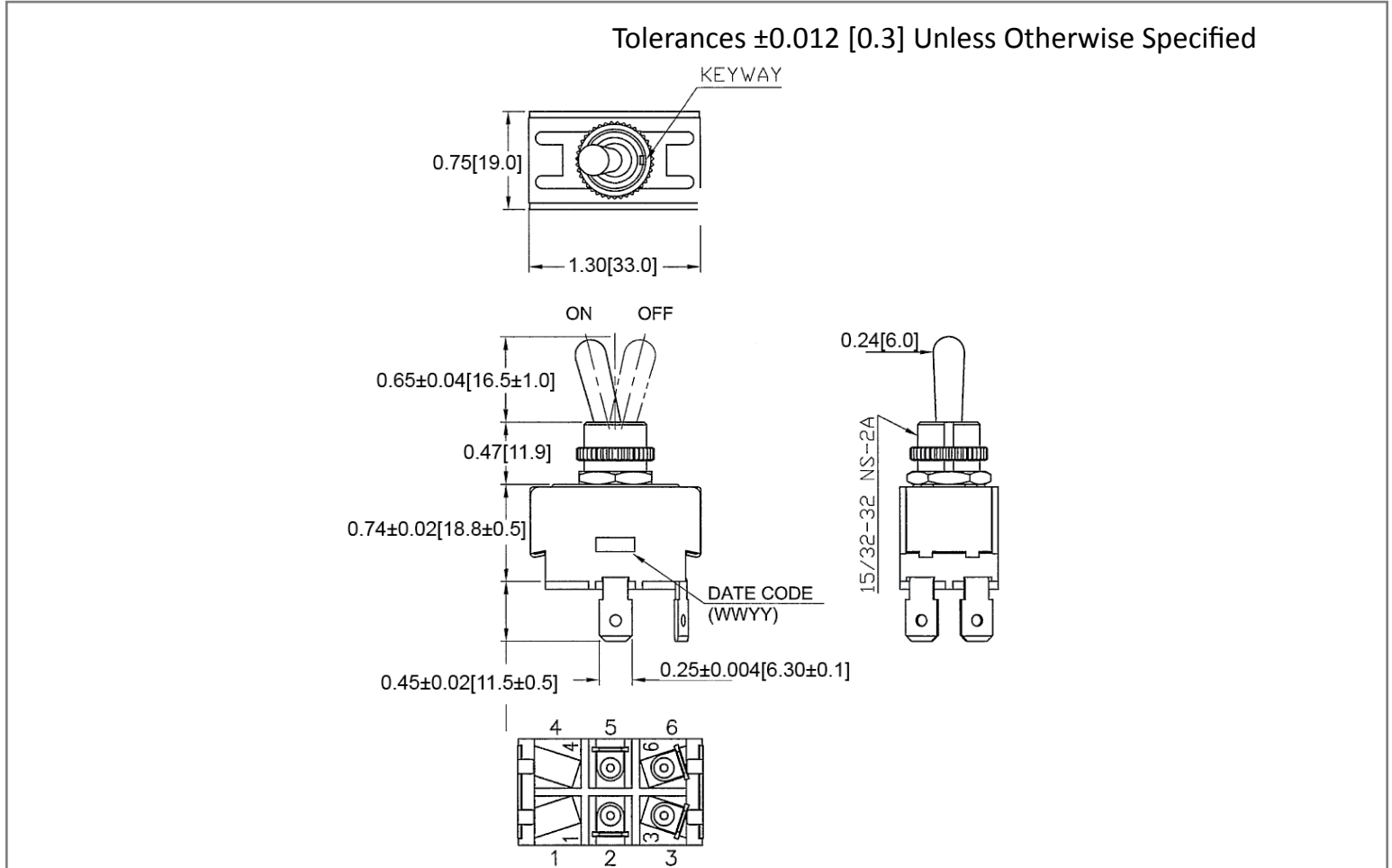
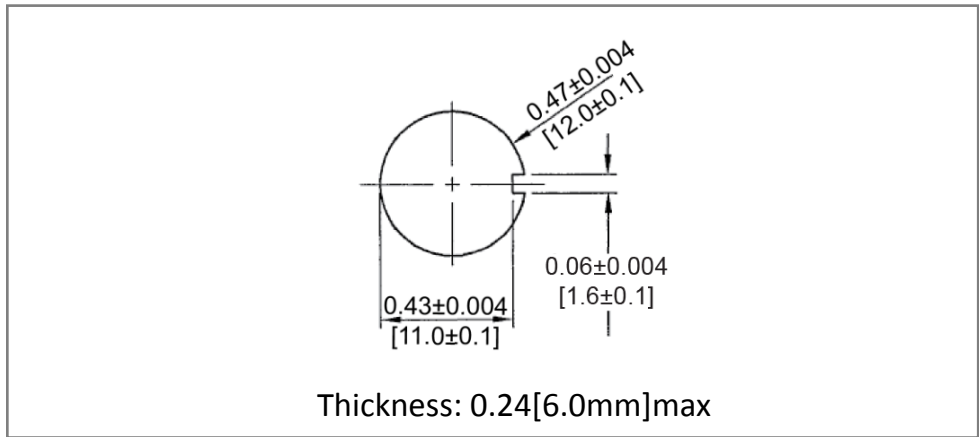


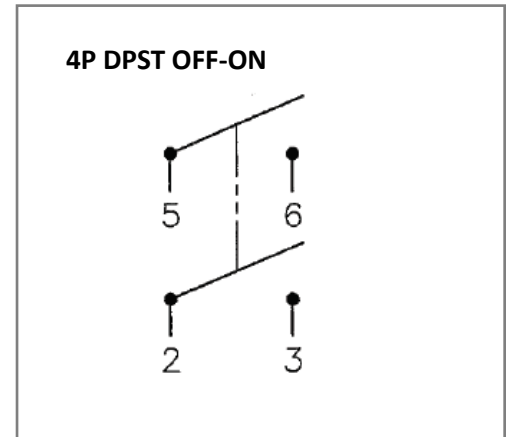
**Mechanical Dimensions: Inches [mm]**



**Mounting Hole**



**Circuit Diagram**



**Electrical Specifications**

Rating	21A 14V DC
Contact Resistance	50m ohm Max
Insulation Resistance	DC 500V 100M ohm Min
Dielectric Strength	AC 1500V 1 minute
Operation Temperature	1200gf±300gf

**Material Specifications**

1 hex nut assy
1 knurl nut assy

**Rev**    **Date of issue**    **Revision Notes**

**Designed**    **Approved**

B	03-12-2020	Initial Drawing	RC	OF
---	------------	-----------------	----	----