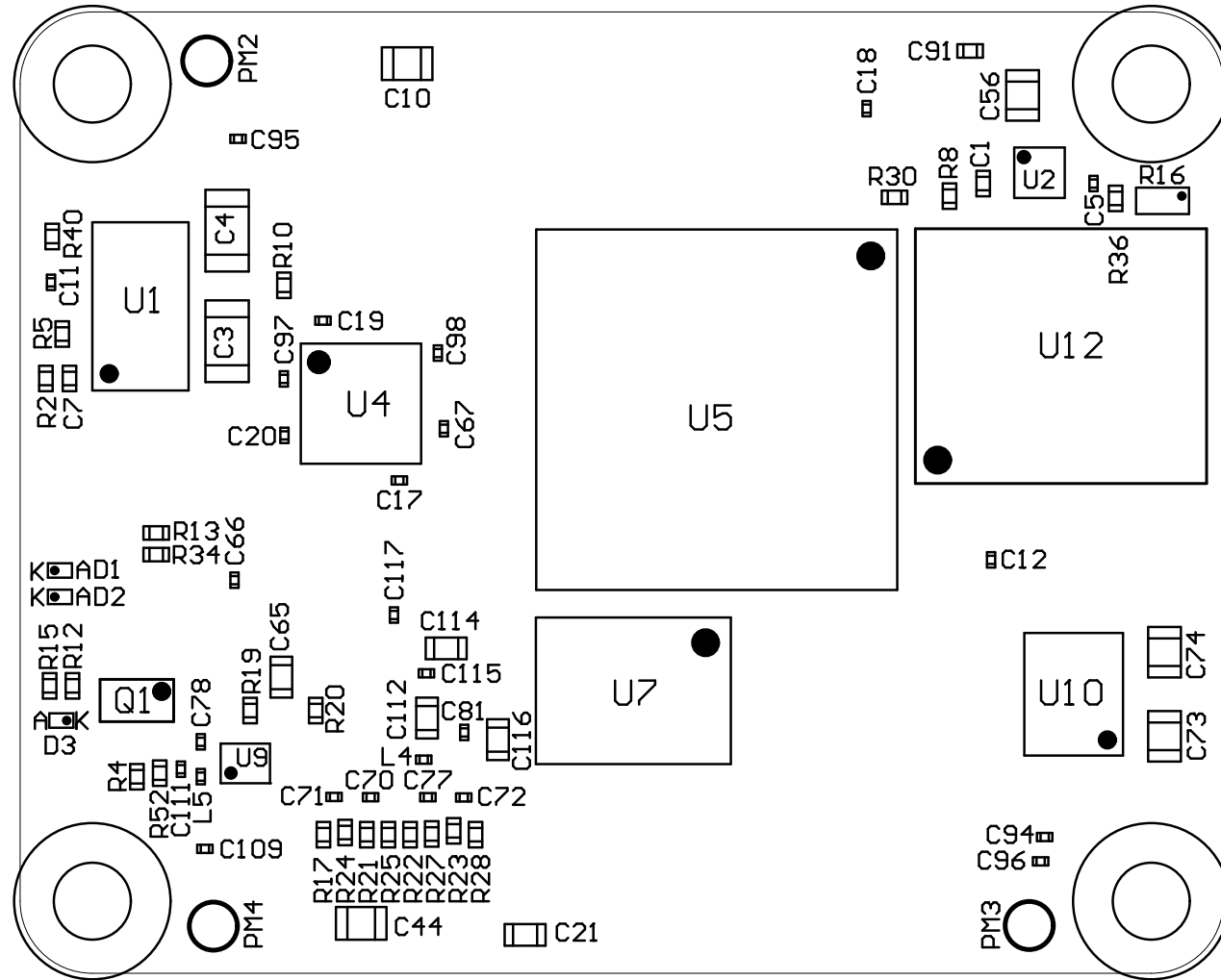


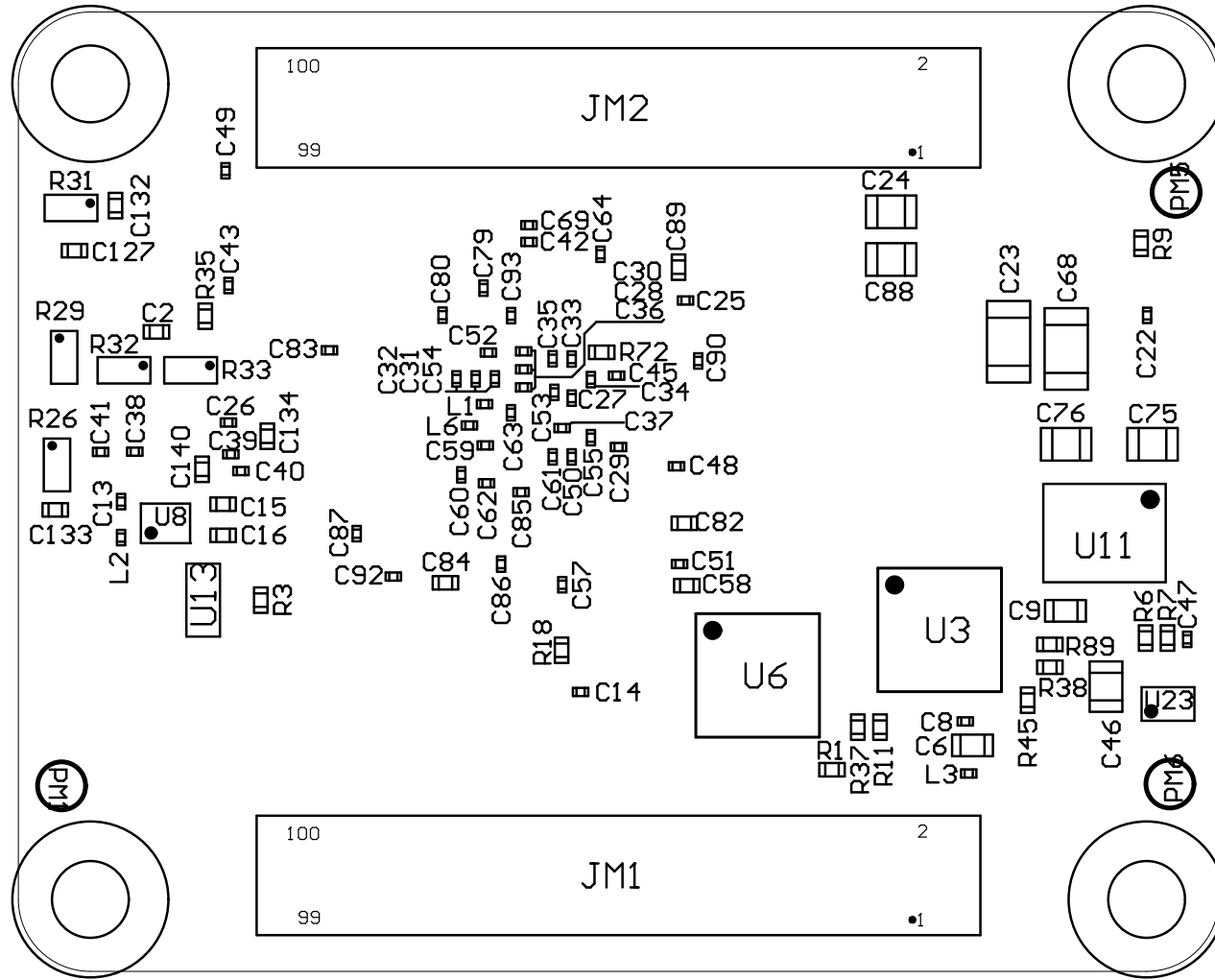
Variant name: TE0710-02-35-2CF

# Top View

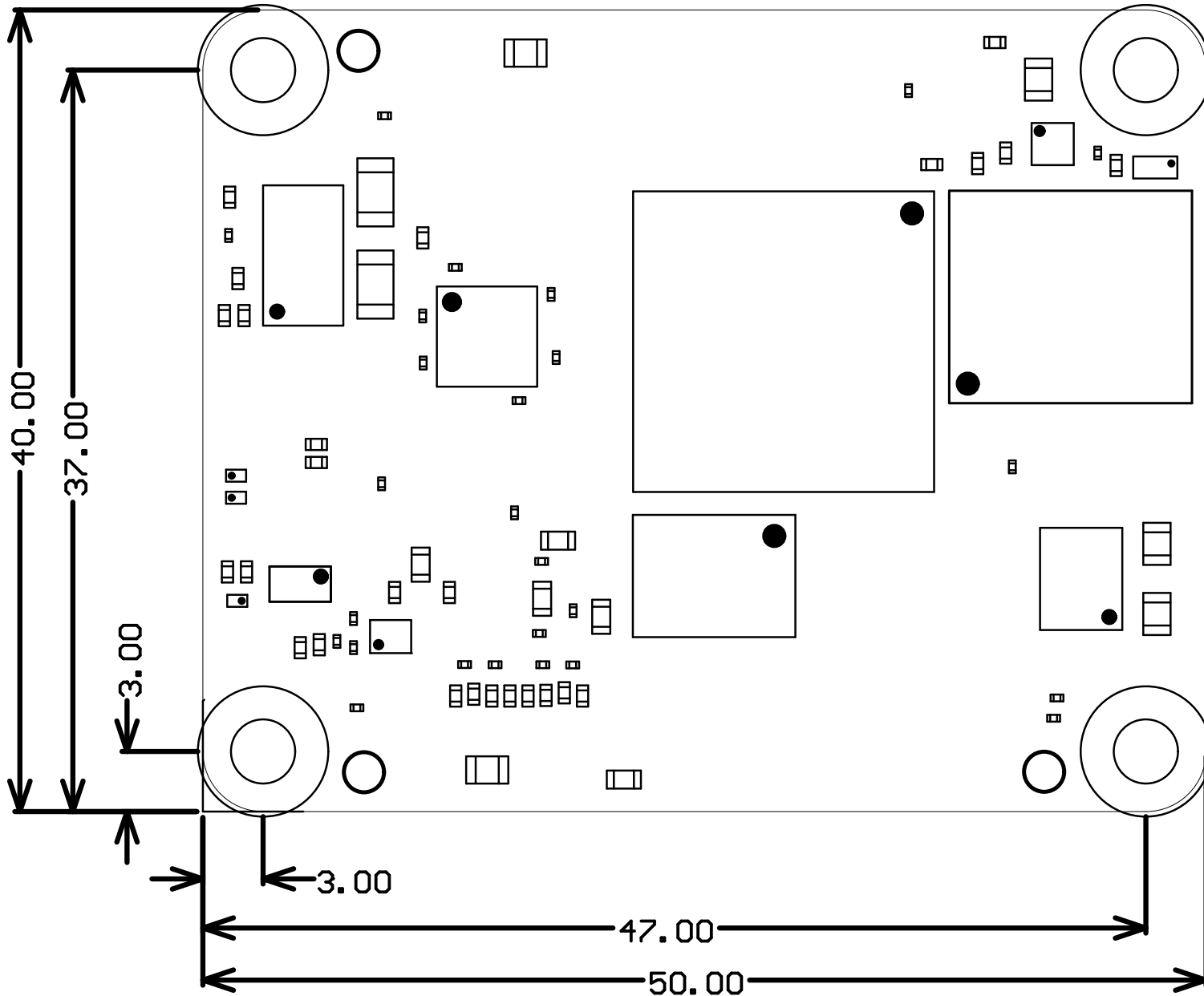


Variant name: TE0710-02-35-2CF

# Bottom View

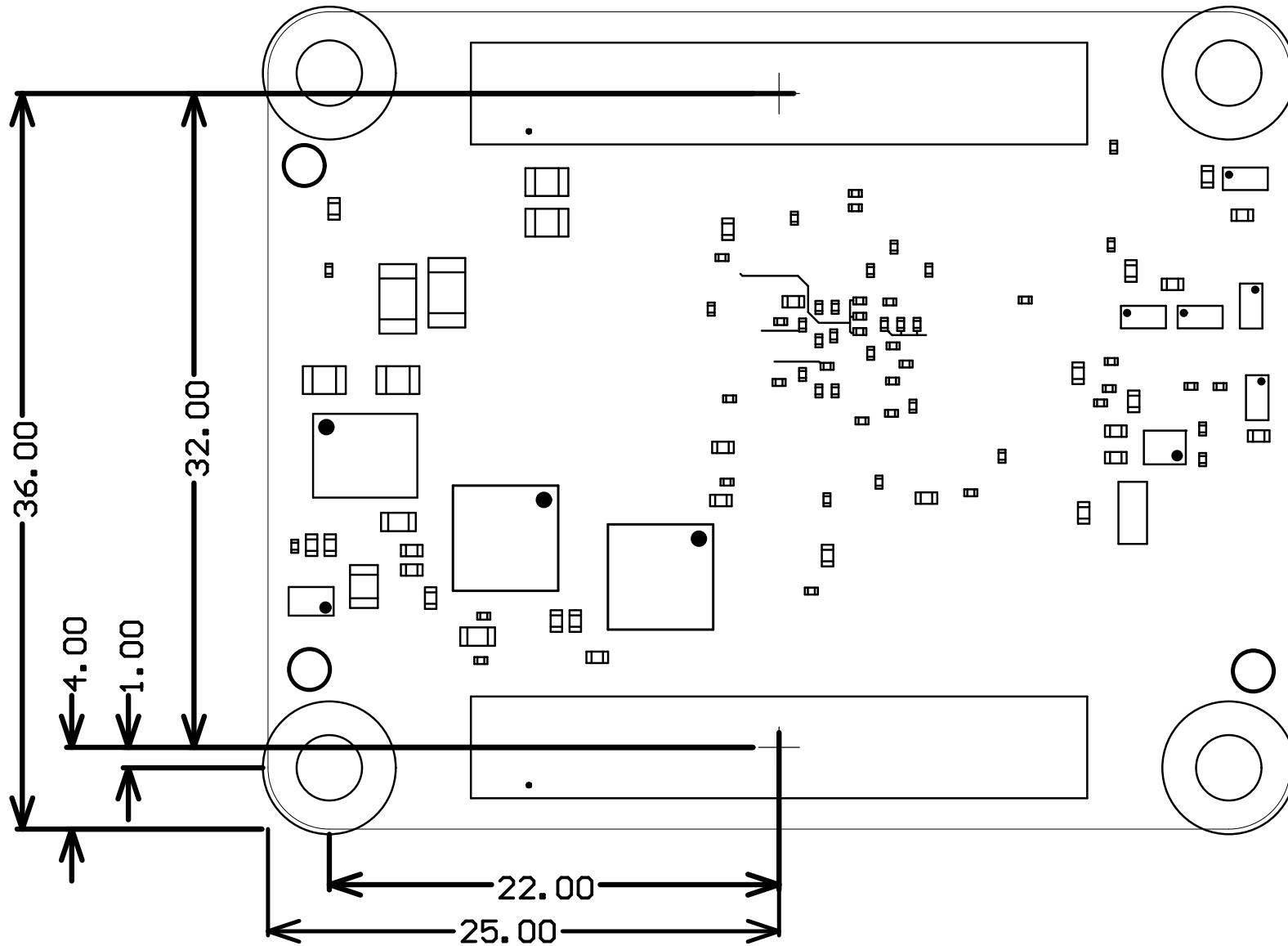


# Top View



Mounting Holes

# Top View



Samtec Connectors