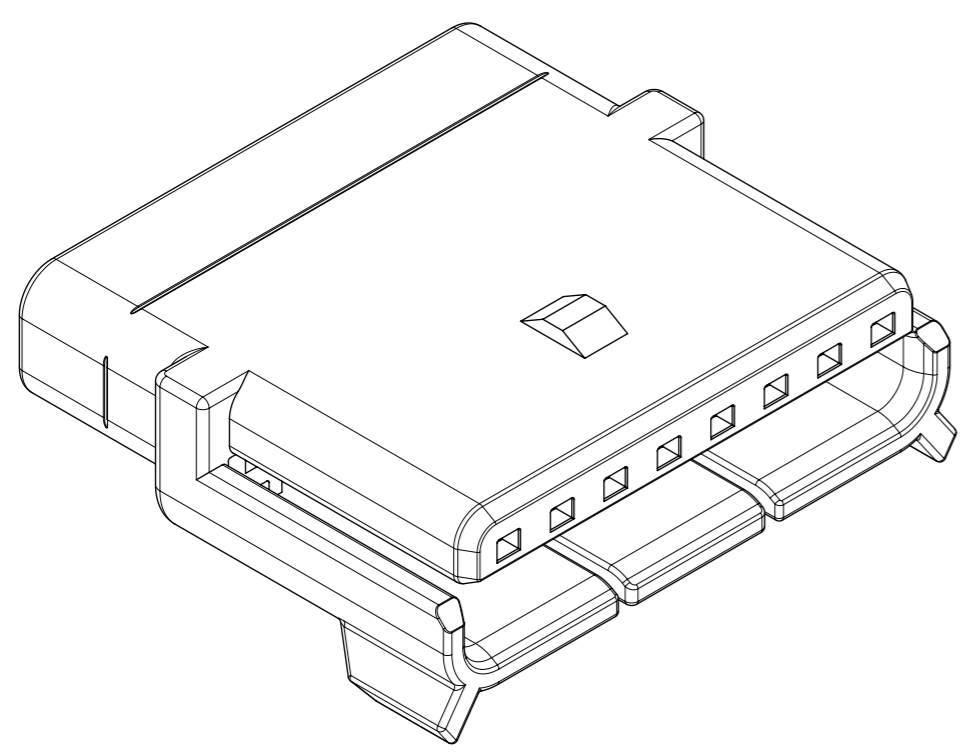
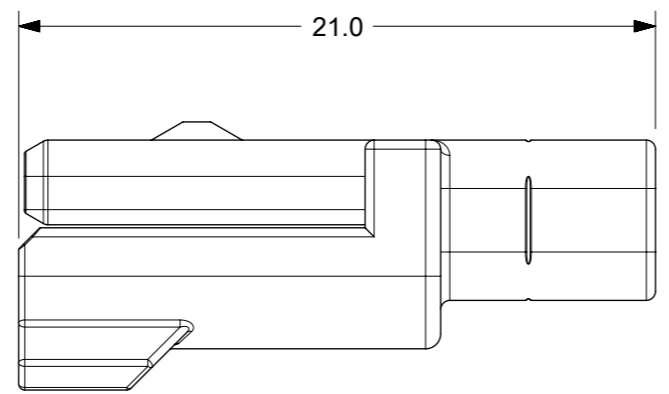
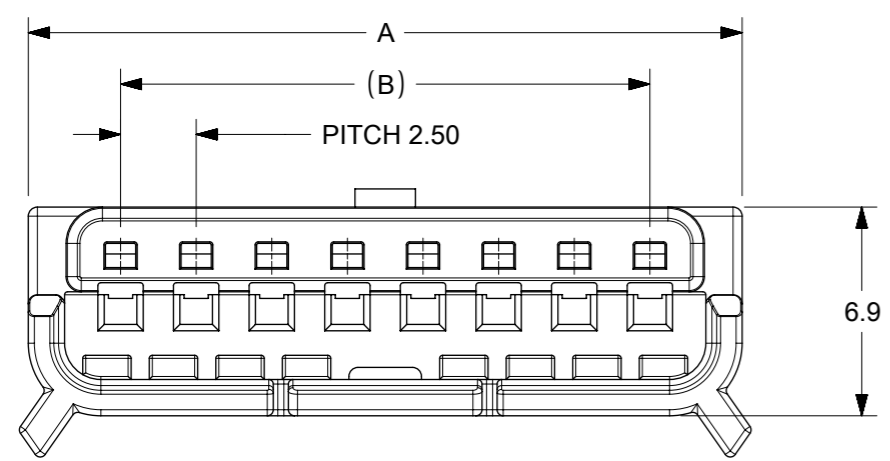


E

- NOTES:
1. MATERIAL: PA66, UL 94V-0
COLOR: NATURAL(WHITE)
 2. USE CRIMP TERMINAL SERIES 36876
 3. PART MATES WITH IDENTICAL HOUSING (SERIES 36877)
 4. PRODUCT SPECIFICATION PS-36876-001
 5. PACKAGING SPECIFICATION PK-36877-001
 6. COSMETIC SPECIFICATION: PS-45499-002 CLASS B



PART NO.	CIRCUIT SIZE	A ±0.35	(B)
368770002	2	8.5	(2.5)
368770003	3	11.0	(5.0)
368770004	4	13.5	(7.5)
368770005	5	16.0	(10.0)
368770006	6	18.5	(12.5)
368770007	7	21.0	(15.0)
368770008	8	23.5	(17.5)

C

B

A

QUALITY SYMBOLS ▽A = 0 ▽E = 0 ▽F = 0 ▼ = 0 ▽C = 0 ⊗ = 0 ■ = 0 ▽ = 0	THIS DRAWING CONTAINS INFORMATION THAT IS PROPRIETARY TO MOLEX ELECTRONIC TECHNOLOGIES, LLC AND SHOULD NOT BE USED WITHOUT WRITTEN PERMISSION										
	RE-MASTERED IN ECTR EC NO: 106807 DRWN: VLM CHK'D: NCSR APPR: KPRASAD	2015/12/08	2016/07/19	GENERAL TOLERANCES (UNLESS SPECIFIED)		DIMENSION UNITS	SCALE	GENDERLESS HOUSING FRICTION LOCK DITTO INTERCONNECTS			
		2016/07/20	2016/07/20	ANGULAR TOL ± 0.5 °		MM	4:1				
				4 PLACES ±	DRWN BY		DATE				
				3 PLACES ±	NCSR		2013/10/24				
				2 PLACES ± 0.25	CHK'D BY		DATE				
			1 PLACE ± 0.3	APPR BY		DATE	PRODUCT CUSTOMER DRAWING				
			0 PLACES ±	DRAFT WHERE APPLICABLE MUST REMAIN WITHIN DIMENSIONS		KPRASAD	2013/10/29	SERIES	MATERIAL NUMBER	CUSTOMER	
						DRAWING SIZE	THIRD ANGLE PROJECTION	36877	SEE TABLE	GENERAL MARKET	
						A3		DOCUMENT NUMBER		DOC TYPE	DOC PART
							SD-36877-001		PSD	000	1 OF 1