

NOTE :

1.MATERIAL :

△ B HOUSING :HIGH TEMP THERMOPLASTIC,UL94-V0  
COLOR:SEE TABLE.

TERMINAL :PHOSPHOR BRONZE  
METAL SHELL :SPCC  
BRACKET :SPCC  
BOARD LOCK :BRASS  
NUT :BRASS

2.PLATING :

TERMINAL :

CONTACT AREA :GOLD(Au) FLASH  
SOLDER TAIL :TIN(Sn),THICKNESS=100 MICREINCH MIN/2.54 MICROMETER MIN.  
UNDER PLATE :NICKEL(NI)

△ B METAL SHELL :TIN (Sn),THICKNESS=80 MICREINCH MIN/2.03 MICROMETER MIN.  
UNDER PLATE : COPPER(Cu).

△ B BRACKET :TIN (Sn),THICKNESS=50 MICREINCH MIN/1.27 MICROMETER MIN.

△ B NUT :TIN(Sn), THICKNESS=30 MICROINCH MIN. / 0.76 MICROMETER MIN.

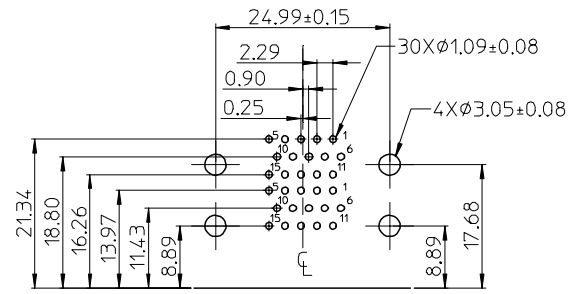
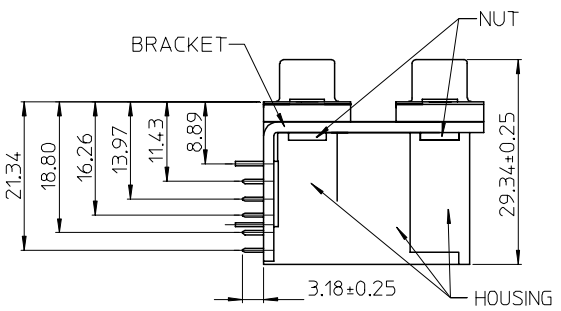
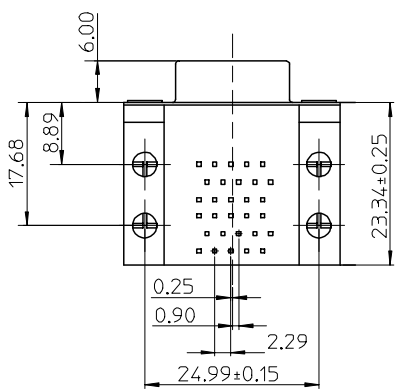
3.RECOMMANED PCB THICKNESS :1.60+/-0.05mm

4.PRODUCT SPECIFICATION : REFER TO PS-48145-001

5.TEST SUMMARY REFER TO TS-48145-001

△ B 6.LEAD FREE AND ROHS COMPLIANCE PRODUCT.

P/N	HOUSING COLOR
48145-0001	UPPER CONNECTOR-BLACK LOWER CONNECTOR-BLACK
48145-1000	UPPER CONNECTOR-BLACK LOWER CONNECTOR-PANTONE #661C :BLUE
48145-2000	UPPER CONNECTOR-PANTONE #661C :BLUE LOWER CONNECTOR-PANTONE #661C :BLUE



RECOMMENDED PCB LAYOUT

PDR-CM0059/EWR-2005-0117 EC NO: SH2005-0335 DRWN:ALLIN 2005/06/10 CHKD: 2005/06/17 APPR:WMSCHANG 2005/06/17	QUALITY SYMBOLS ▽=0 ∇=0	GENERAL TOLERANCES (UNLESS SPECIFIED)		DIMENSION STYLE MM ONLY		SCALE	DESIGN UNITS METRIC	THIRD ANGLE PROJECTION	
			mm	INCH	DRAWN BY LINDA	DATE	TITLE	D SUBMINIATURE, RIGHT ANGLE STACK CONNECTOR (LEAD FREE VERSION)	
	4 PLACES ± --- ± ---			CHECKED BY ALLEN	DATE	molex MOLEX INCORPORATED			
	3 PLACES ± --- ± ---			APPROVED BY WILSON	DATE				DOCUMENT NO. SD-48145-001
	2 PLACES ± 0.25 ± ---			MATERIAL NO. SEE TABLE		SHEET NO. 1 OF 1			
	1 PLACE ± 0.25 ± ---			SIZE A 4					THIS DRAWING CONTAINS INFORMATION THAT IS PROPRIETARY TO MOLEX INCORPORATED AND SHOULD NOT BE USED WITHOUT WRITTEN PERMISSION
				ANGULAR ± 3 °					
		DRAFT WHERE APPLICABLE MUST REMAIN WITHIN DIMENSIONS							