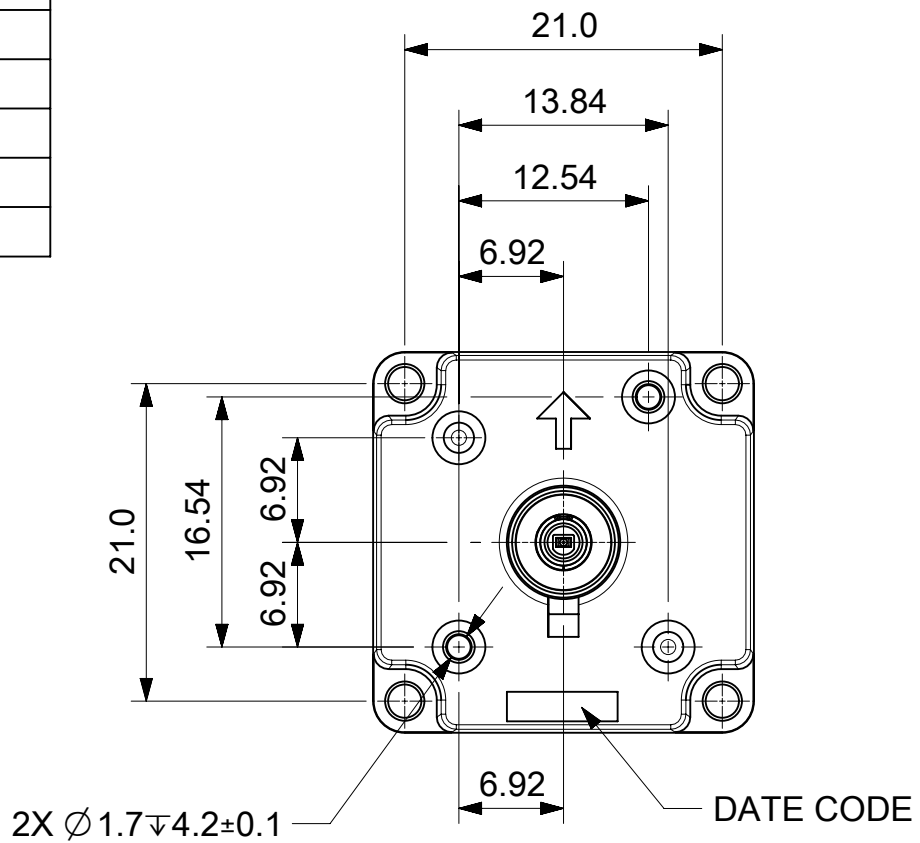


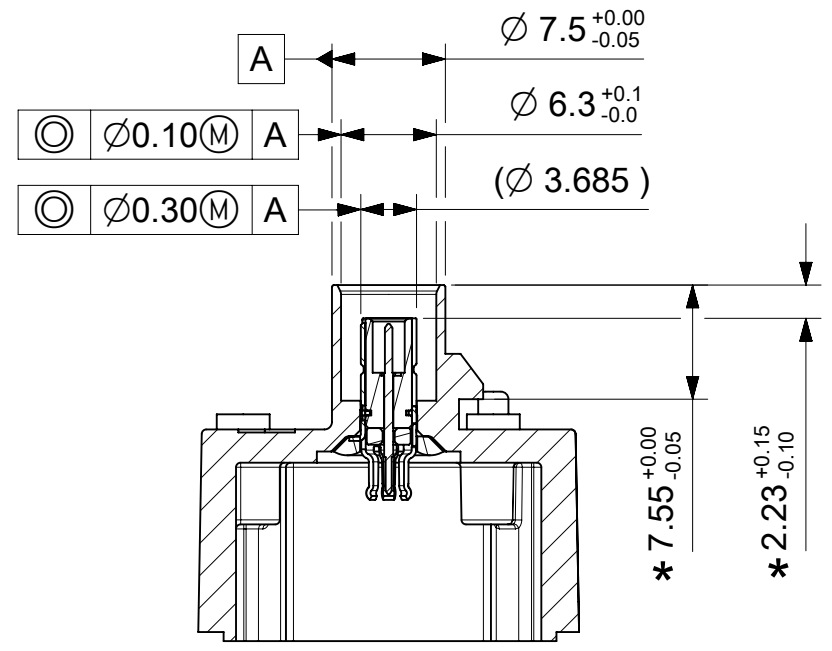
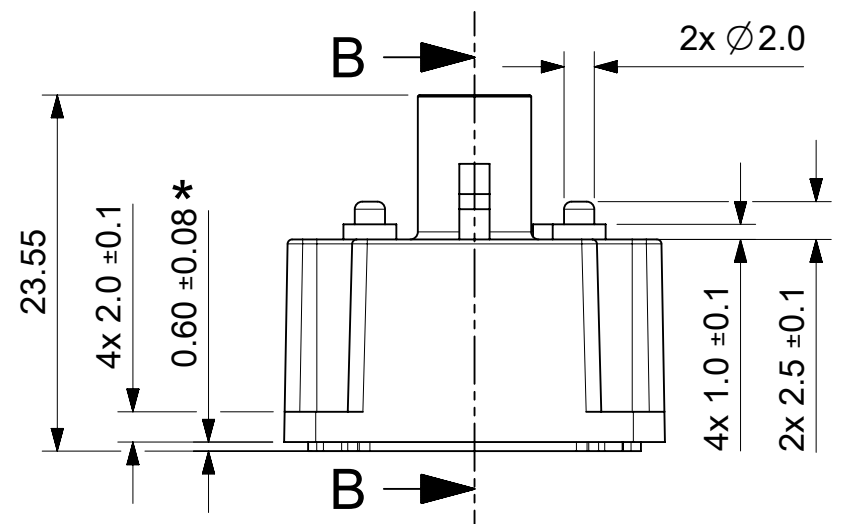
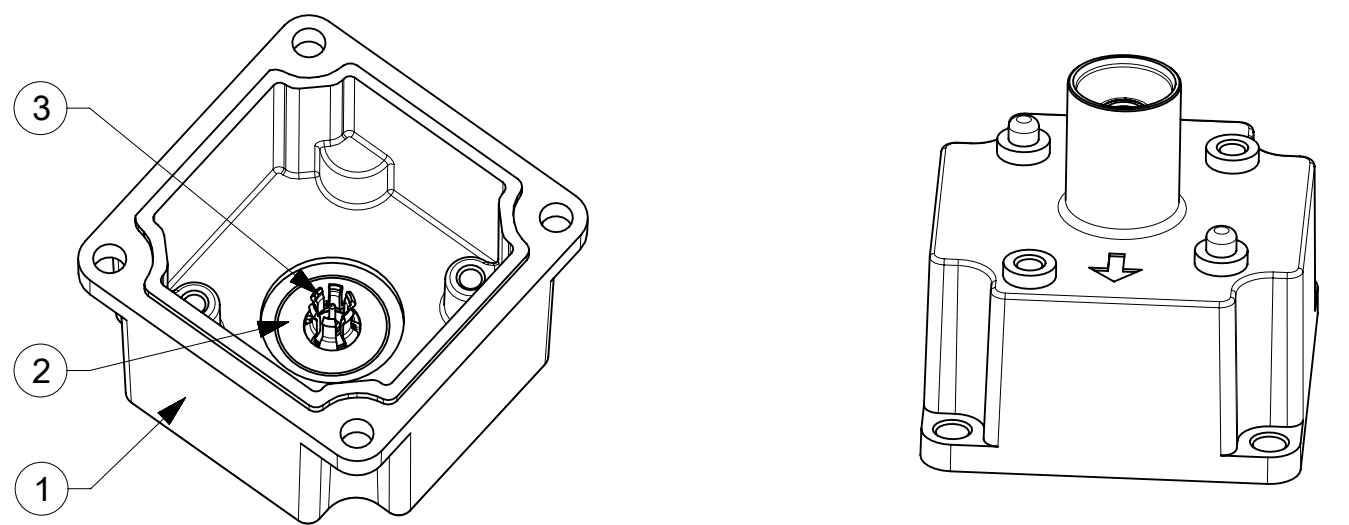
Dim.(mm)	TOLERANCE
0~3	±0.05
3~6	±0.08
6~18	±0.10
18~30	±0.15
30~50	±0.20
ANGLE	1°

REVISION				
EC NO	DATE	REV	DESCRIPTION	CHANGER
NA	2020/08/31	A	INITIAL RELEASE	BERT LIU
CY22-5100	2022/2/17	B	UPDATE DIMS AND CHANGE GLUE PN	Lihua Liu



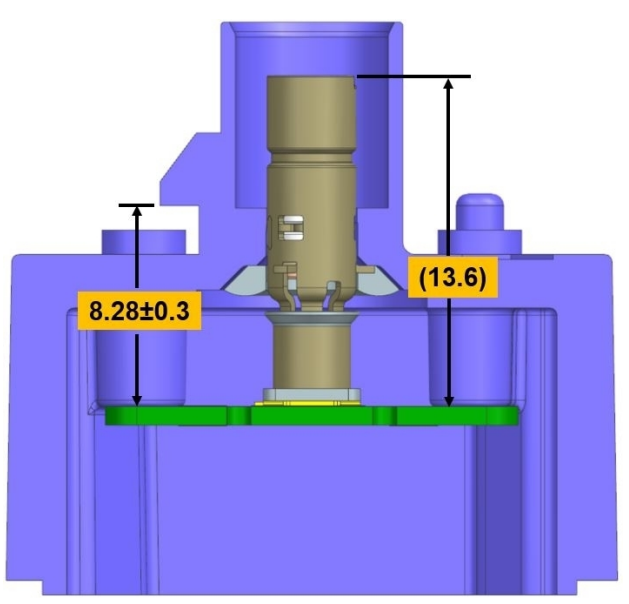
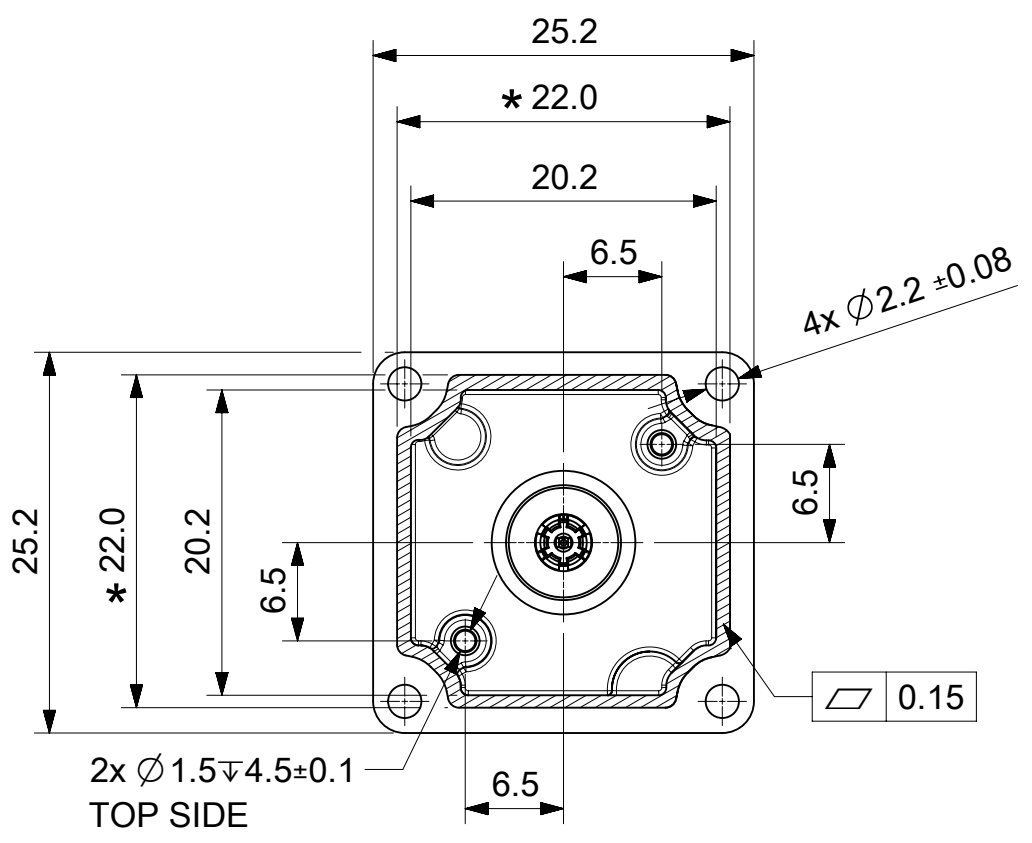
DATE CODE : A200224164530

- SECOND
- MINUTE
- HOUR
- DAY
- MONTH
- YEAR
- AUTO LINE CODE



SECTION B-B

- NOTES (技术要求):
- HSG MATERIAL: BASF PBT+GF30% (B4330G6 HR BK15045).
  - AIR LEAKAGE TEST AT 100±10Kpa, LEAKAGE 0.1SCCM MAX.
  - UNDIMENSIONED REFER TO 3D MODEL.  
DIMENSIONS WITHOUT TOLERANCE REFER TO TOLERACE TABLE.
  - NO SINK MARK, WELDING LINE, SHRINKAGE, SCRATCH, CRACK, CONTAMINATION ETC.
  - DRAFT IS LESS THAN 1° , UNDEFINED RADIUS SHALL BE R0.3MM ,
  - PRODUCT MEET IPX7 WITHOUT CABLE MATING.  
IPX9K COMPLIANCE MATED WITH WATERPROOF CABLE (IPX9K CABLE).
  - PACKAGING REQUIREMENT REFER TO THE DETAIL PACKAGING DRAWING ;
  - THE MATING JACK PART NUMBER IS 2087941005.
  - PRODUCT SPEC REFER TO PS-68781-001 AND APPLICATION SPEC AS-68781-001.
  - "F<sub>c</sub>" SYMBOLS ARE IMPORTANT DIMS, DIMS SHALL MEET CPK MORE THAN 1.67, THE OTHERS SHALL PASS FAI.



ITEM	DESCRIPTION	QTY
3	CAMERA IO BULLET CONN	1 PC
2	EPOXY GLUE	A/R
1	BACK SHELL	1 PC

FUNCTIONAL SYMBOLS	THIS DRAWING CONTAINS INFORMATION THAT IS PROPRIETARY TO MOLEX ELECTRONIC TECHNOLOGIES, LLC AND SHOULD NOT BE USED WITHOUT WRITTEN PERMISSION						
	FA = 0	mm 2:1					CURRENT REV DESC:
DIVISIONAL SYMBOLS	GENERAL TOLERANCES (UNLESS SPECIFIED)		PRODUCT CUSTOMER DRAWING				
	FC = 0	ANGULAR TOL ± °	EC NO: 696245		DOCUMENT NUMBER		
DIVISIONAL SYMBOLS	4 PLACES ±		DRWN: BLIU87		2021/03/17		
	3 PLACES ±		CHK'D: LHUIU		2022/02/17		
	2 PLACES ±		APPR: FCHEN11		2022/02/17		
	1 PLACE ±		INITIAL REVISION:		2019/11/06		
0 PLACES ±		DRWN: BLIU87		2020/09/01			
DRAFT WHERE APPLICABLE MUST REMAIN WITHIN DIMENSIONS		THIRD ANGLE PROJECTION		DRAWING		SERIES	
		A2-SIZE		208324		MATERIAL NUMBER	
				685920018		CUSTOMER	
				GENERAL MARKET CUSTOMERS		SHEET NUMBER	
						1 OF 1	