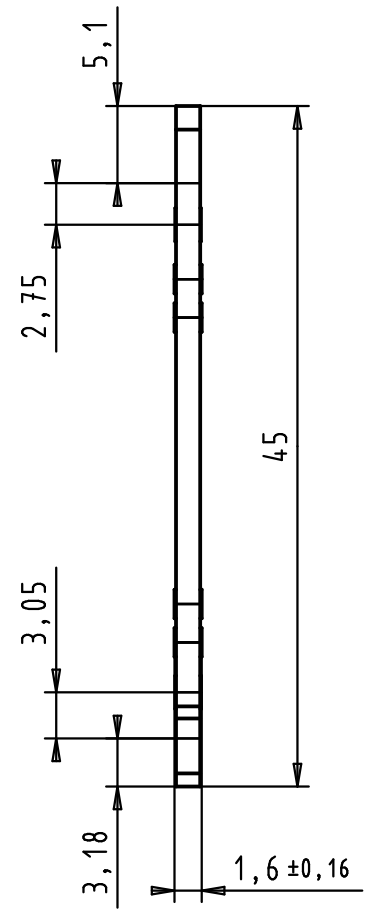
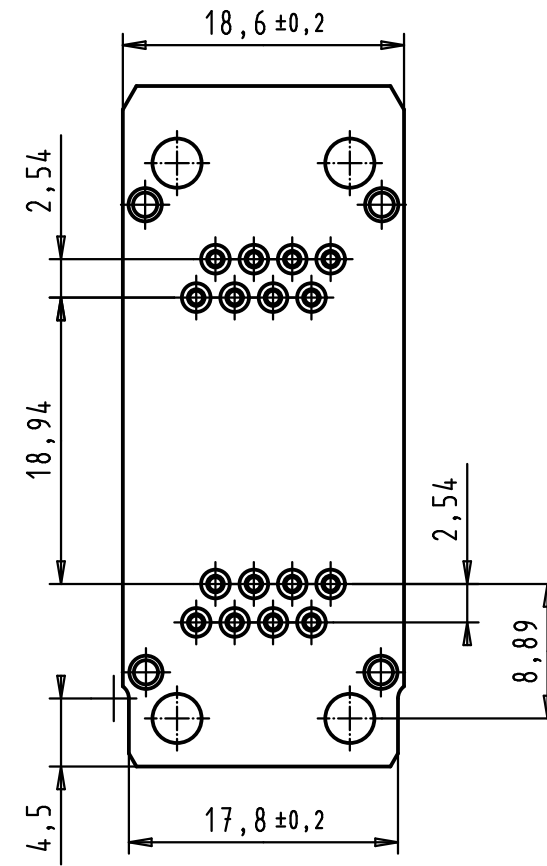
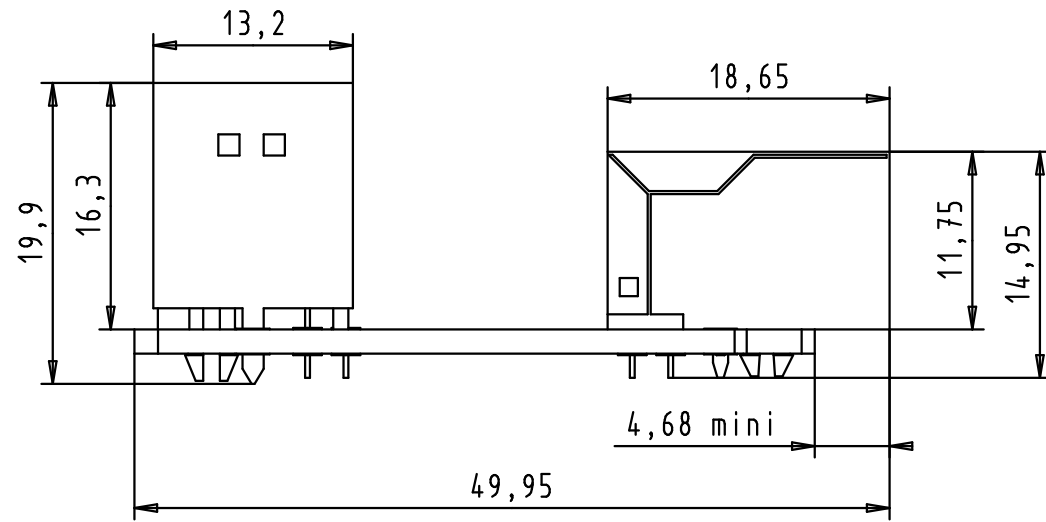
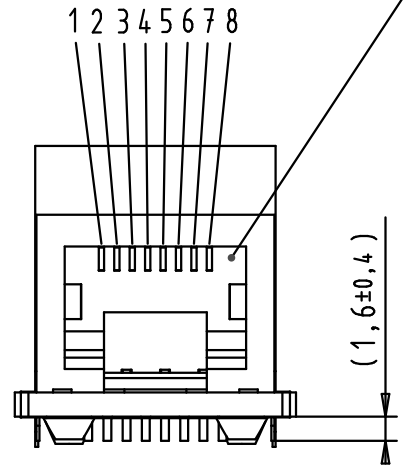
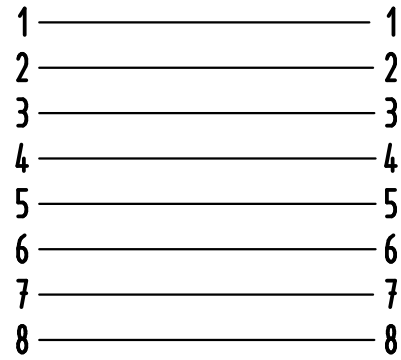


Alle Rechte vorbehalten/ All rights reserved

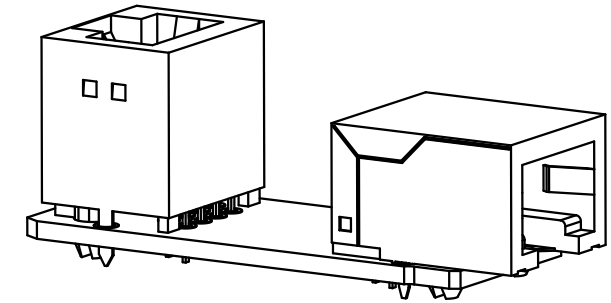
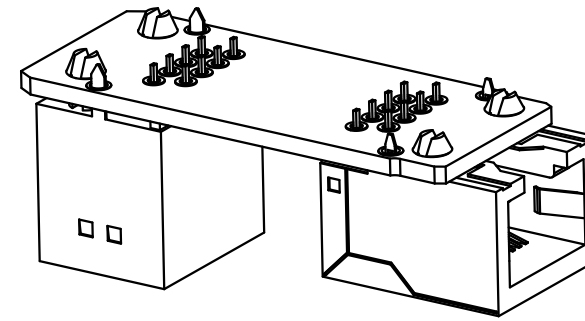
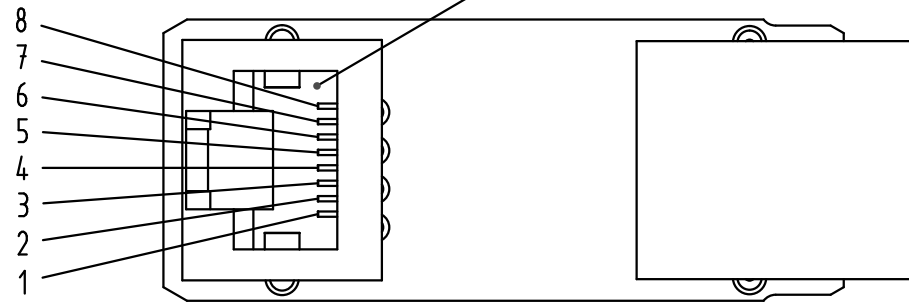
Mating face RJ45 according to IEC 60603-7



**Loading-Plan**



Mating face RJ45 according to IEC 60603-7



	All Dimensions in mm Original Size DIN A 3			Techn. Character.			Nicht tolerierte Maße/ Free size tolerances			
				Dat.	Name	Maßstab/Scale	<i>RJ industrial</i> PC-Board assembly for Han3A RJ45 and Push Pull V4			
				Detail.	29/MAR/11	BH				
			Insp.	29/MAR/11	JB	2/1				
			Stand.							
36229			HARTING EURL F-95972 Paris				TB 09 45 545 1138			Blatt/ page
Mod.	Dat.	Name					Sub.			1/1