

MATERIAL NUMBER

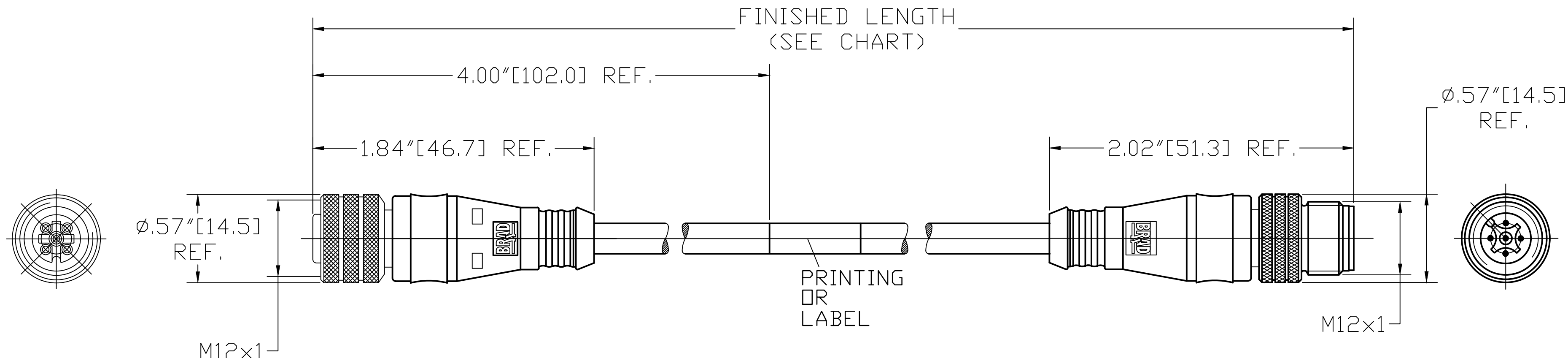
OLD PART NUMBER

FINISHED LENGTH

120067-8331

8830P6H09M010

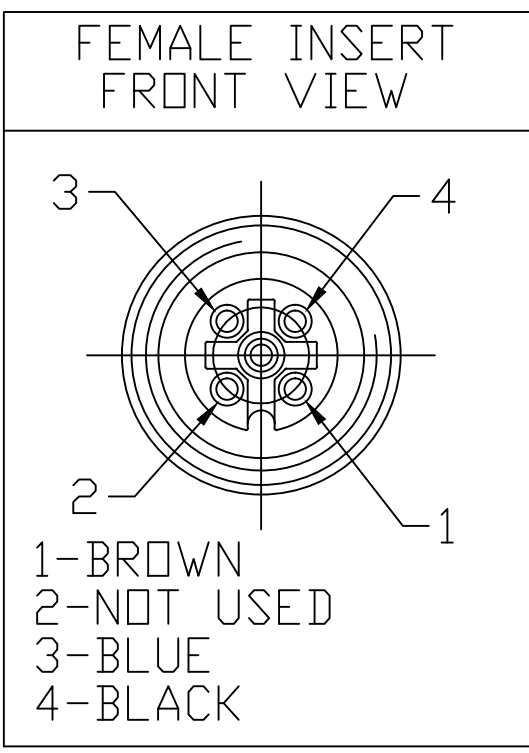
3.28' +2.19" -0 [1.0M +55.6mm -0]



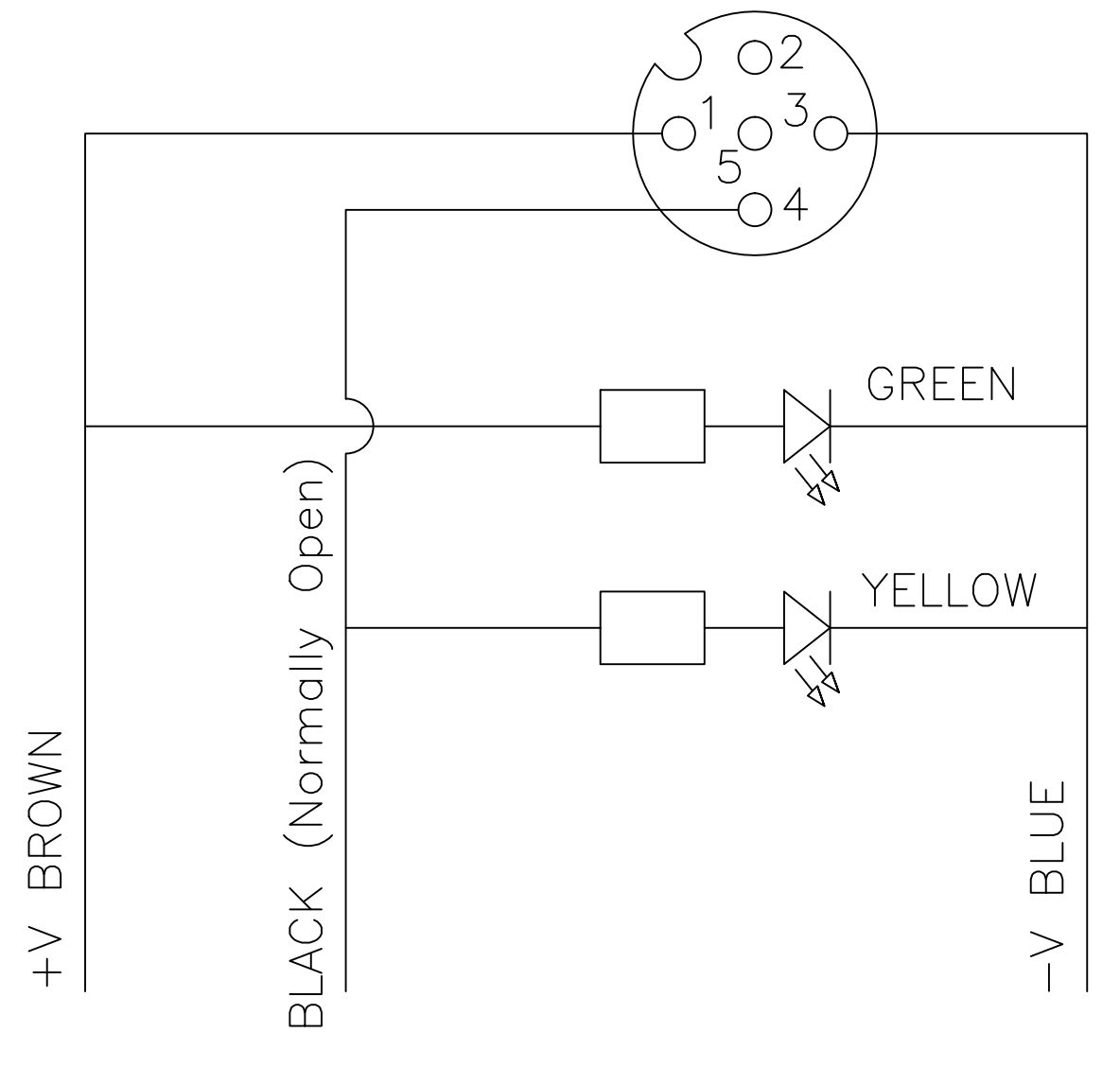
8830P6H09M010

Wire type
3x .34mm²
Black PUR

cable length
M020----2 Meter
M100----10 Meter



CONTACT:	GOLD/NICKEL OVER COPPER ALLOY
INSERT:	PUR, BLACK
COUPLING NUT:	BRASS, NICKEL PLATED
MOLDED BODY:	TPU, NATURAL
VOLTAGE RATING:	10 TO 30 VDC
AMPERAGE RATING:	4 AMPS
PROTECTION:	IP67
OPERATING TEMPERATURE:	FLEXING: -5°C TO 80°C STATIC: -30°C TO 80°C



WIRING DIAGRAM

INITIAL RELEASE EC NO.: IPG2014-0063 DRWN: EBRACKEN 2013/07/01 CH'KD: RSTONE APPR: BWOODMAN 2013/08/16 REV A	QUALITY SYMBOL ▽=0 ◻=0	GENERAL TOLERANCES (UNLESS SPECIFIED) mm INCH 4 PLACES ±--- ±--- 3 PLACES ±--- ±.005 2 PLACES ±0.13 ±.010 1 PLACE ±0.25 ±.020 ANGULAR ±.5° DRAFT WHERE APPLICABLE MUST REMAIN WITHIN DIMENSIONS	DIMENSION STYLE IN/MM DRAWN BY DATE EBRACKEN 2013/06/18 CHECKED BY DATE RSTONE APPROVED BY DATE BWOODMAN 2013/08/16 MATERIAL NO. SEE CHART SIZE C	SCALE --- DESIGN UNITS INCH THIRD ANGLE PROJECTION	TITLE MICRO-CHANGE ASSEMBLY 3 POLE LED FE ST/ST CABLE PUR BLACK MOLEX INCORPORATED DOCUMENT NO. SD-120067-039 SHEET NO. 1 OF 1
	THIS DRAWING CONTAINS INFORMATION THAT IS PROPRIETARY TO MOLEX INCORPORATED AND SHOULD NOT BE USED WITHOUT WRITTEN PERMISSION				