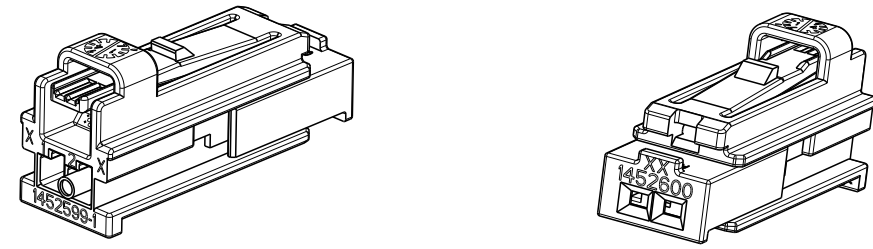


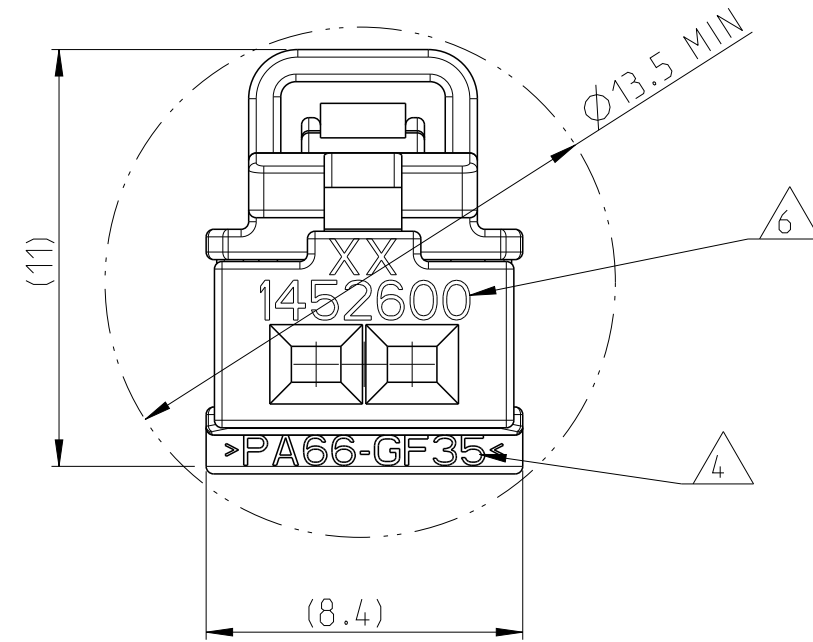
THIS DRAWING IS UNPUBLISHED. RELEASED FOR PUBLICATION 2002
 © COPYRIGHT 2002 BY - ALL RIGHTS RESERVED.

REVISIONS					
P	LTR	DESCRIPTION	DATE	DWN	APVD
B		SEE ECR-07-000103	03JAN2007	HM	GS
B1		ECR-14-016796	11NOV2014	SS	KR
B2		ECR-19-007011	19JULY2019	KC	RS

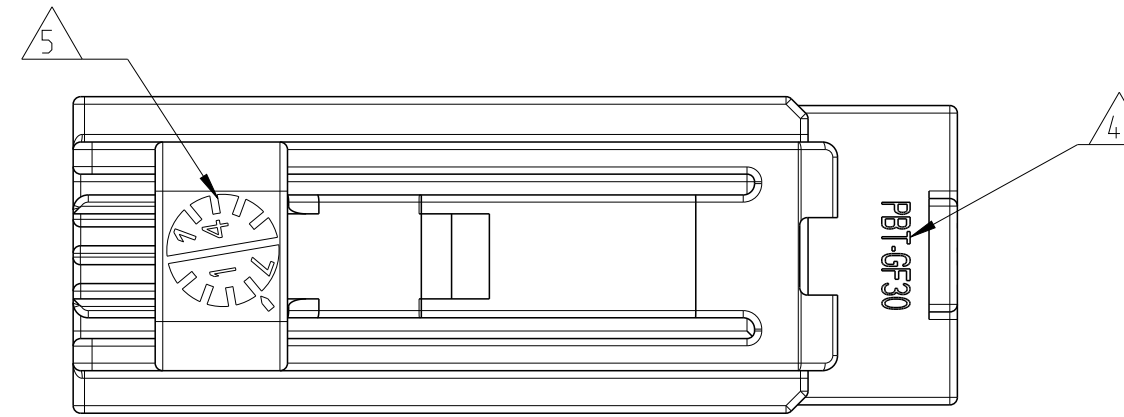
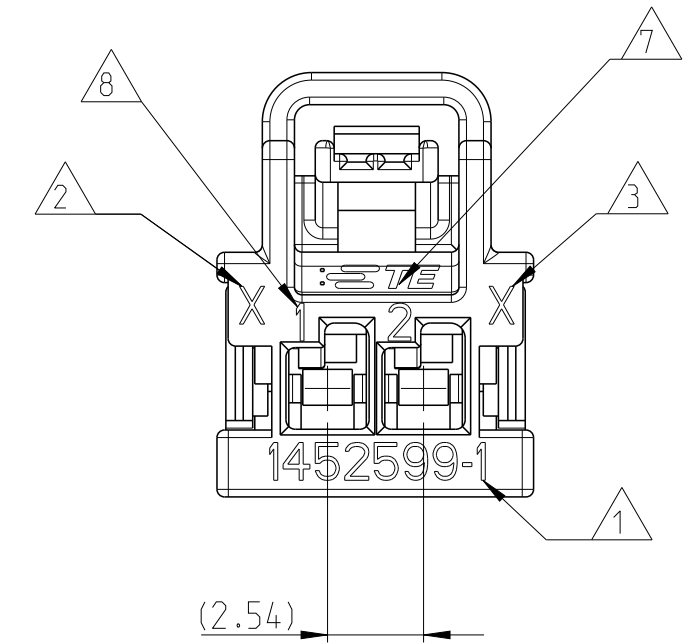
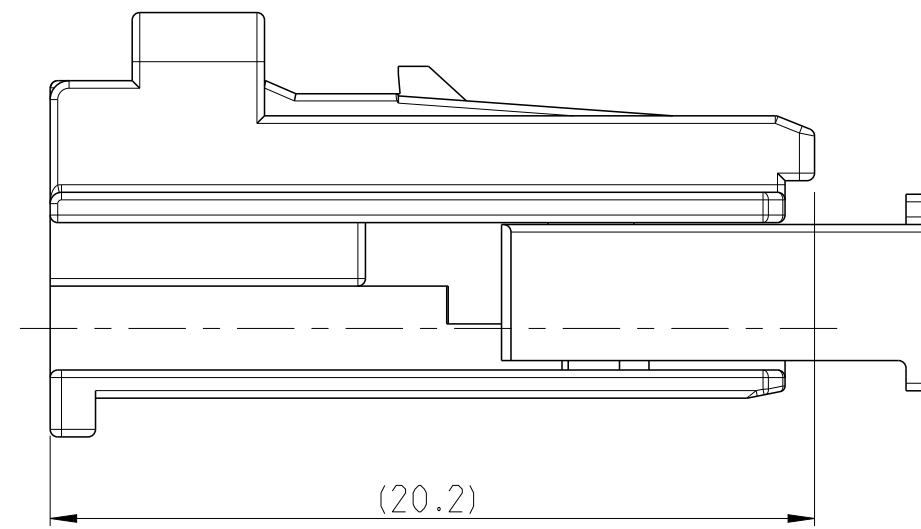


2:1

2:1



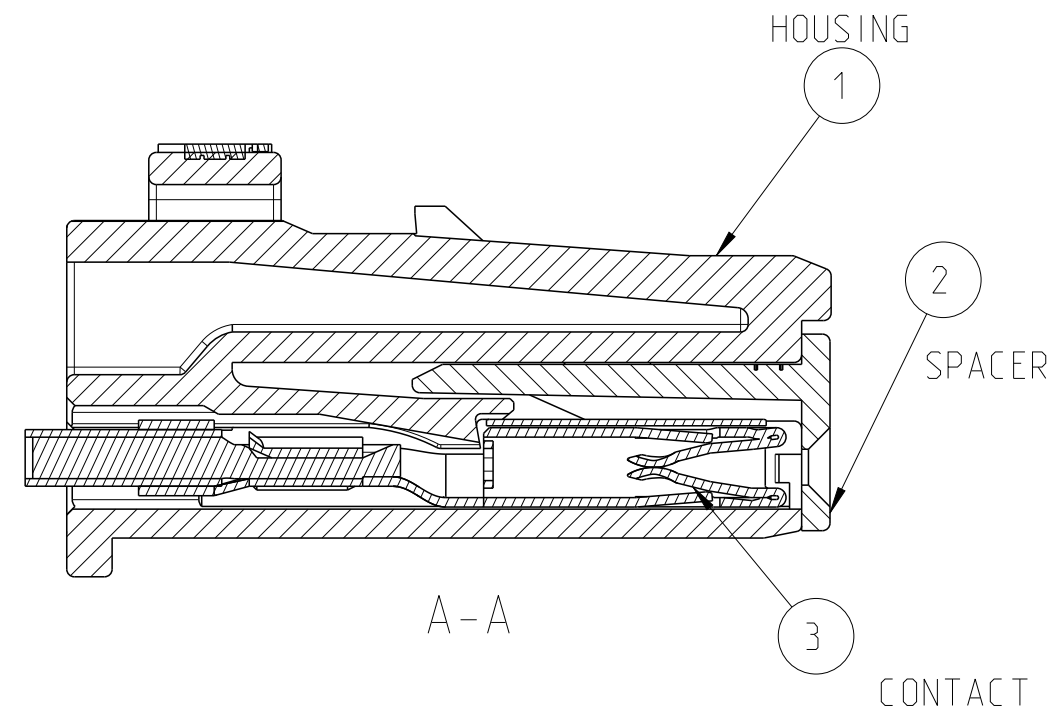
SPACER IN PRE-LOCK POSITION



NOTES:

- Bemerkungen:
- 1 TE-PART NUMBER HOUSING
TE-TeilenummerGehäuse
 - 2 CAVITY MARKING
Nestmarkierung
 - 3 REVISION OF PART
Änderungsindex des Teiles
 - 4 MATERIAL IDENTIFICATION
Werkstoffkennzeichnung
 - 5 PRODUCTION-DATE WITH DATE INSERT Ø 3mm
Produktionsdatum mit Datumsuhr Ø 3mm
 - 6 TE-PART NUMBER SPACER
TE-Teile Nummer SPACER
 - 7 TE LOGO
TE Logo
 - 8 TERMINAL POSITION NUMBER
Kontaktkammer Nummer
- 7 DELIVERY CONDITION: SPACER IN PRE-INSTALLED POSITION
LIEFERBEDINGUNGEN: SPACER IN VORRASTSTELLUNG
- 8 REFER TO PACKAGING SPECIFICATION 107-90559
Siehe Verpackung Spezifikation 107-90559

THE CONTACT IS NOT A PART OF THE DELIVERY ASSY.



APPLICABLE FEMALE-CONTACTS TE-PN
0-1393364-1
0-1393365-1
0-1393366-1
0-1393367-1

ASSY PART- NO	ASSY- REV.	QTY REQD PER ASSY	PART NO	DESCRIPTION	MATERIAL	COLOUR	ITEM NO
0-1452598-2	B	1x	0-1452600-1	SPACER	PBT-GF30	RED	2
			0-1452599-2	FEMALE HOUSING	PA66-GF35	NATURAL	1
0-1452598-1	B	1x	0-1452600-1	SPACER	PBT-GF30	RED	2
			0-1452599-1	FEMALE HOUSING	PA66-GF35	BLACK	1

REVISION OF EACH ASSY NO (WHEN BLANK, USE DWG REVISION)

PARTS LIST

THIS DRAWING IS A CONTROLLED DOCUMENT.		DWN K.ROTH 21JUN2002	TE Connectivity	
DIMENSIONS: mm		CHK G.STEINBACH 02AUG2002		
TOLERANCES UNLESS OTHERWISE SPECIFIED:		APVD G.MUMPER 02AUG2002	NAME 1X2 POS GET FEMALE HOUSING ASSEMBLY UNSEALED	
0 PLC ±		PRODUCT SPEC	SIZE A2	
1 PLC ±		APPLICATION SPEC	CAGE CODE 100779	
2 PLC ±		WEIGHT	DRAWING NO C-1452598	
3 PLC ±		MATERIAL	RESTRICTED TO	
4 PLC ±		FINISH	SCALE 5:1	
ANGLES ±°		Customer Drawing	SHEET 1 OF 1	
FINISH			REV B2	